

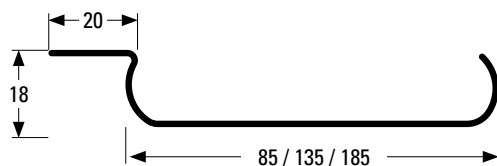
B STRIP





B STRIP

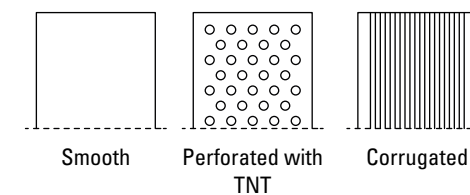
Our B STRIP is a variant of A STRIP. Thanks to the rounded profiled edge that hooks onto the suspended carriers, it guarantees a simple but harmonious aesthetic effect. It allows to create a closed joint to avoid open gaps while maintaining a pleasant aesthetic linearity.



Technical characteristics

European Standard:	CE EN 13964
Durability:	Class B
Fire resistance:	A1
Sound absorption:	EN ISO 354
Standard colour:	• Silver • White • AISI • Post-painted
Finish:	• Smooth • Perforated • Corrugated
Standard material:	Alluminium (3000H46 / 1050AH) Galvanized steel (DX51DZ)
Standard thickness:	Alluminium 0,5 - 0,6 - 0,8 mm Steel 0,4 - 0,5 - 0,6 mm
Standard dimension:	B100 100x18 mm B150 150x18 mm B200 200x18 mm

Finish



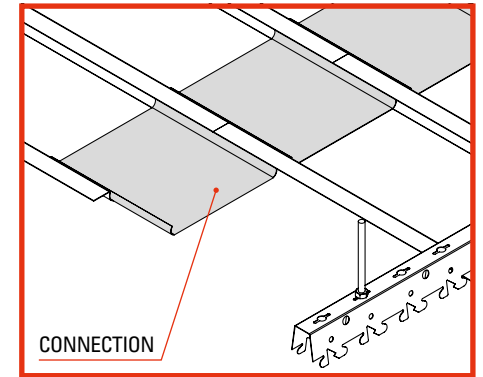
Strips incidences and suitable carriers

Strip type	Pitch	Strips m/m ²	Suitable carrier	Suitable carrier m/m ²	Suspensions pcs/m ²
B100	100	10,0	TR1	0,83	0,70
B150	150	6,6	TR4	0,83	0,70
B200	200	5,0	TR1	0,83	0,70

Maximum wheelbase and overhang advised

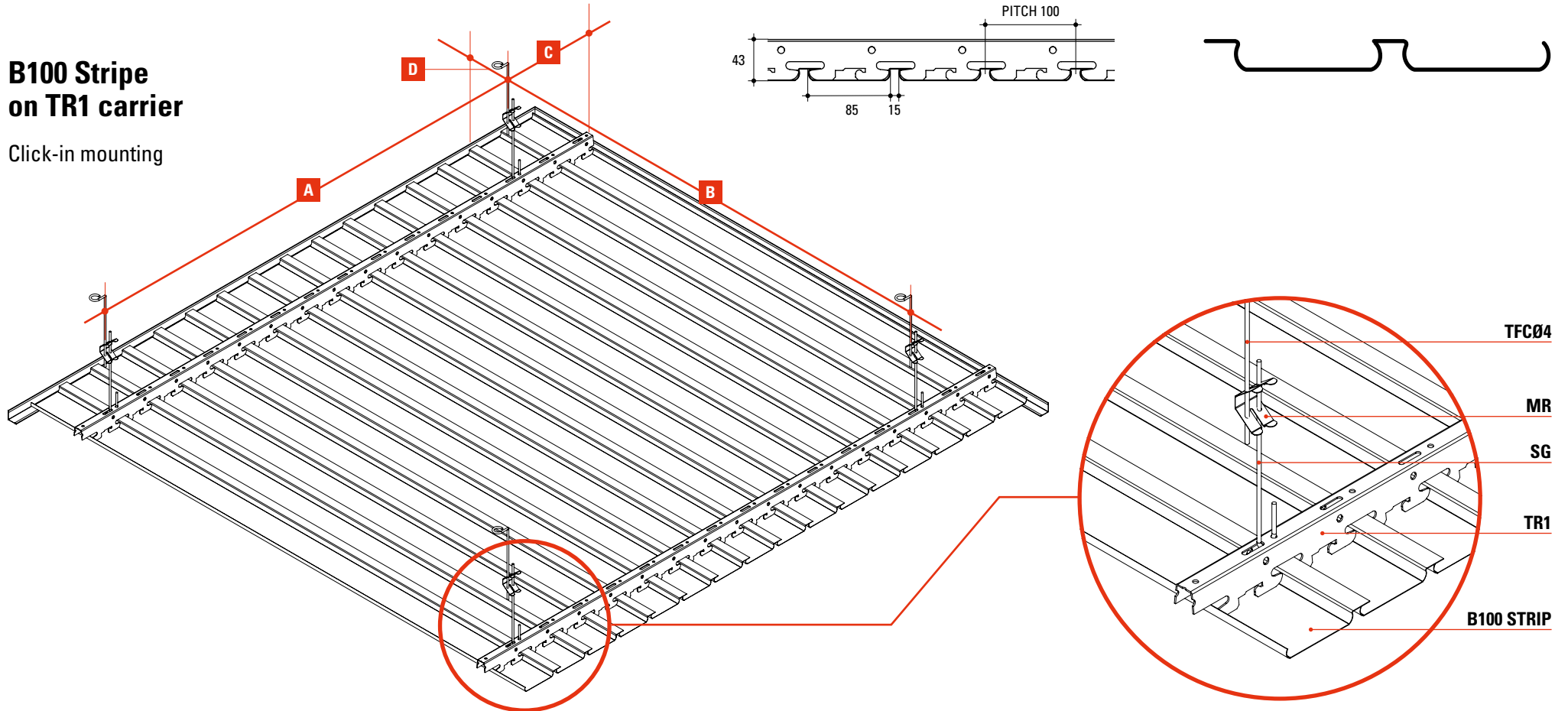
	A	B	C	D
With insulation*	1200	1100	700	500
Without insulation	1200	1200	800	700

* 3 cm thick glass wool sound absorbing mattress



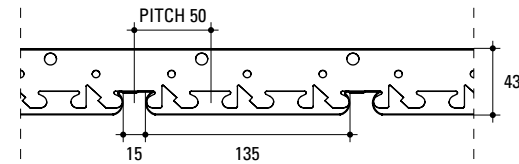
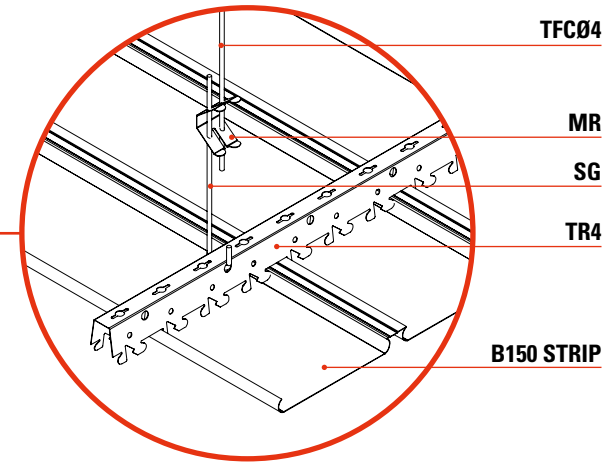
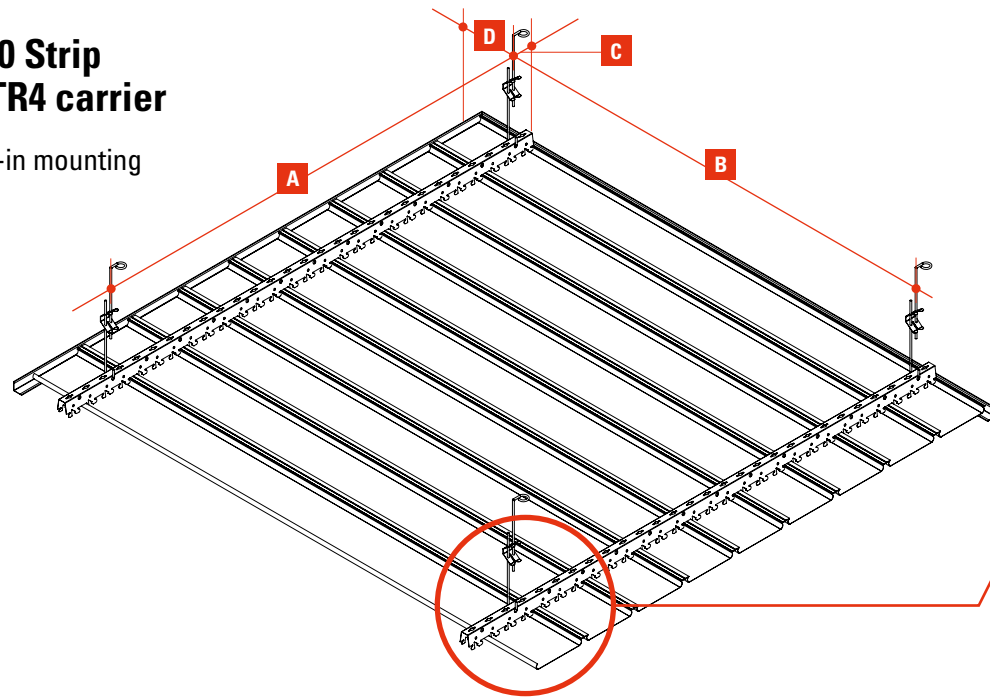
B100 Stripe on TR1 carrier

Click-in mounting



B150 Strip on TR4 carrier

Click-in mounting



B200 Strip on TR1 carrier

Click-in mounting

