

P300 STRIP





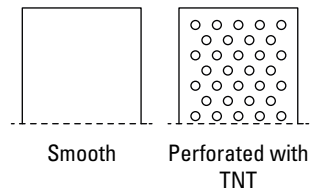
FOR INTERIOR

P300 STRIP

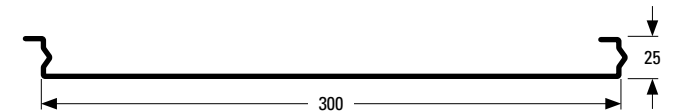
Technical characteristics

European Standard:	CE EN 13964
Durability:	Class B
Fire resistance:	A1
Sound absorption:	EN ISO 354
Standard color:	• Silver • White • AISI • Post-painted
Finish:	• Smooth • Perforated
Standard material:	Aluminium (3000H46 / 1050AH) Galvanized Steel (DX51DZ)
Standard thickness:	Aluminium 0,7 - 0,8 mm Steel 0,7 - 0,8 mm
Standard dimension:	P300 300x25 mm

Finish



Free-standing strip suitable for rooms with a large span of light, allowing the creation of joint-free ceilings. Suitable for installation in corridors and small rooms. It can be combined with a tile breaker.



Strips incidence and suitable carriers

Strip type	Pitch	Strips m/m ²
P300	300	3,33

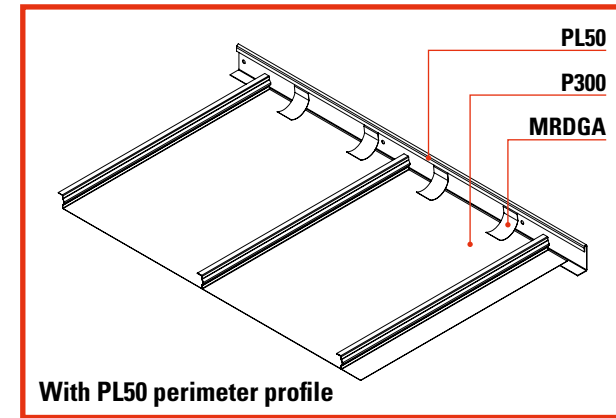
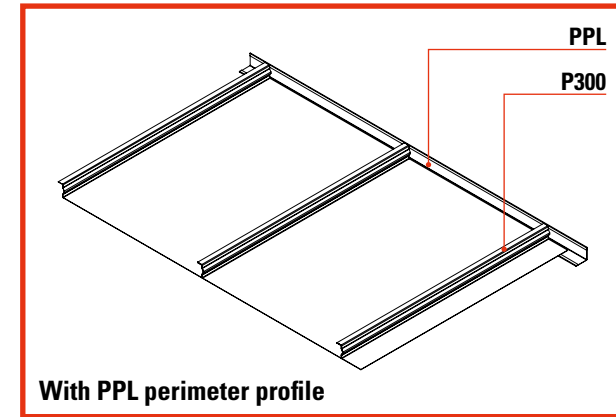
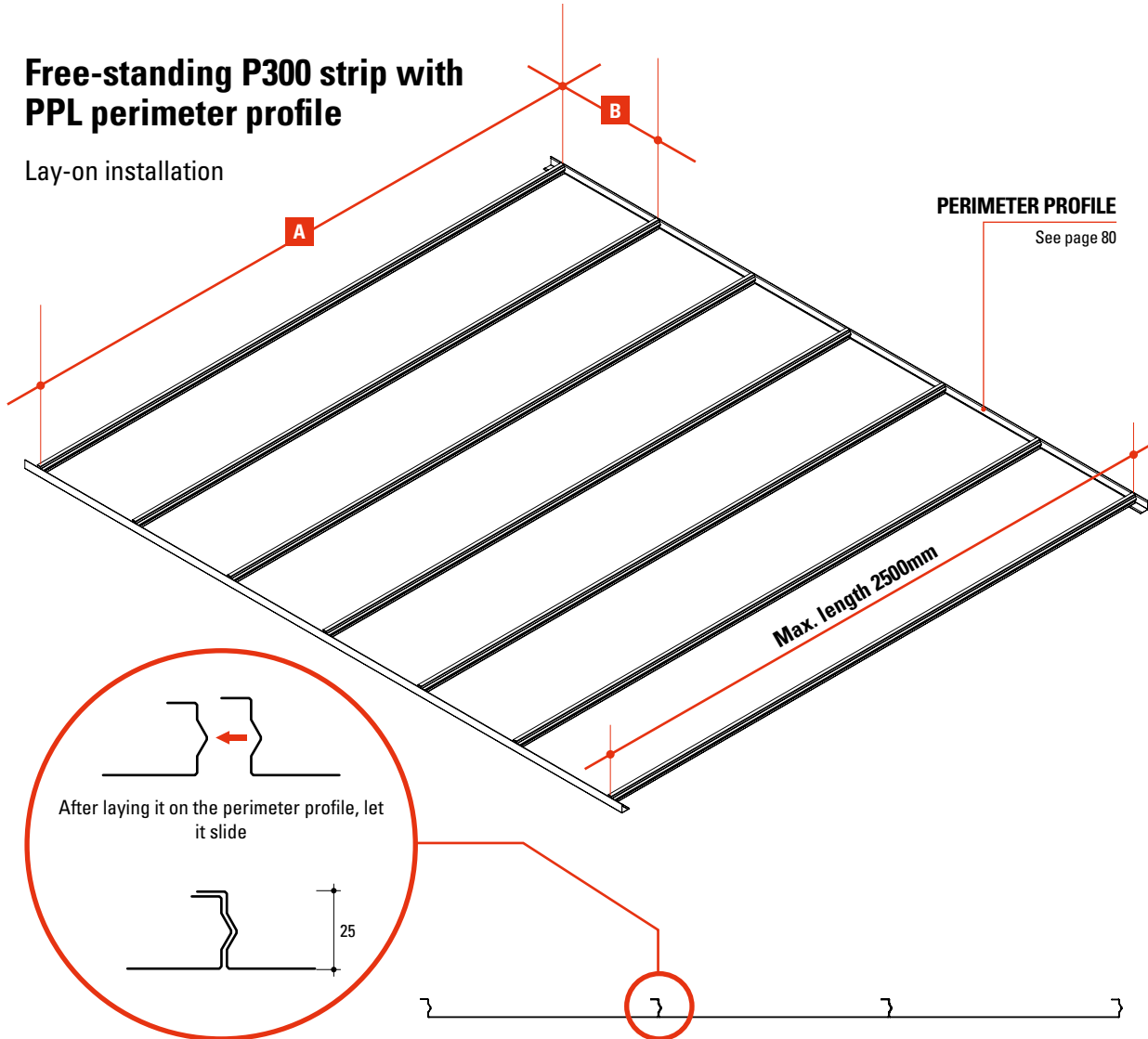
Maximum wheelbase and overhang advised

	A	B
With insulation*	max 2000	300
Without insulation	max 2500	300

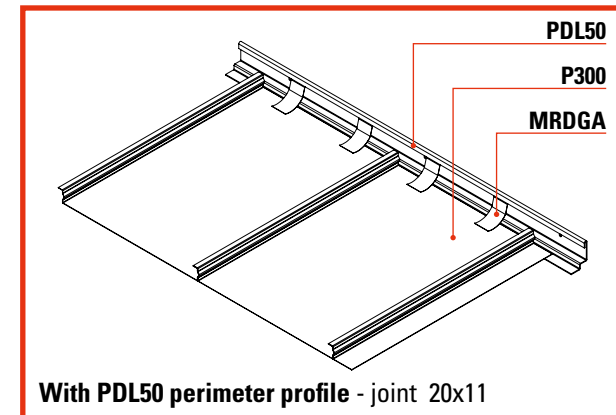
* 3 cm thick glass wool sound absorbing mattress

Free-standing P300 strip with PPL perimeter profile

Lay-on installation



Also suitable for exterior use



Also suitable for exterior use