



# CELL CEILING

with T24/38 or 15/38



# CELL CEILING

with T24/38 or T15/38

Cell ceiling is a classic system for interior open false ceilings. It is suitable for large spaces and creates a customizable full/empty effect depending on the cell mesh. Each individual panel is laid on the base mesh of the T-structure.

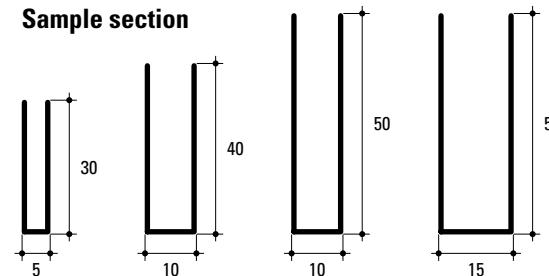
## Technical characteristics

|                        |                                                           |
|------------------------|-----------------------------------------------------------|
| European Standard:     | CE - EN 13964                                             |
| Durability:            | Class B                                                   |
| Fire resistance:       | A1                                                        |
| Sound absorption:      | EN ISO 354                                                |
| Standard colour:       | • White • Silver                                          |
| Standard material:     | Alluminium (Alloy 310H46)<br>Galvanized steel (DX51DZ100) |
| Standard thickness:    | 0,4 - 0,5 - 0,6 mm                                        |
| Module:                | 600x600 mm                                                |
| System average weight: | 4/5 kg/m <sup>2</sup>                                     |

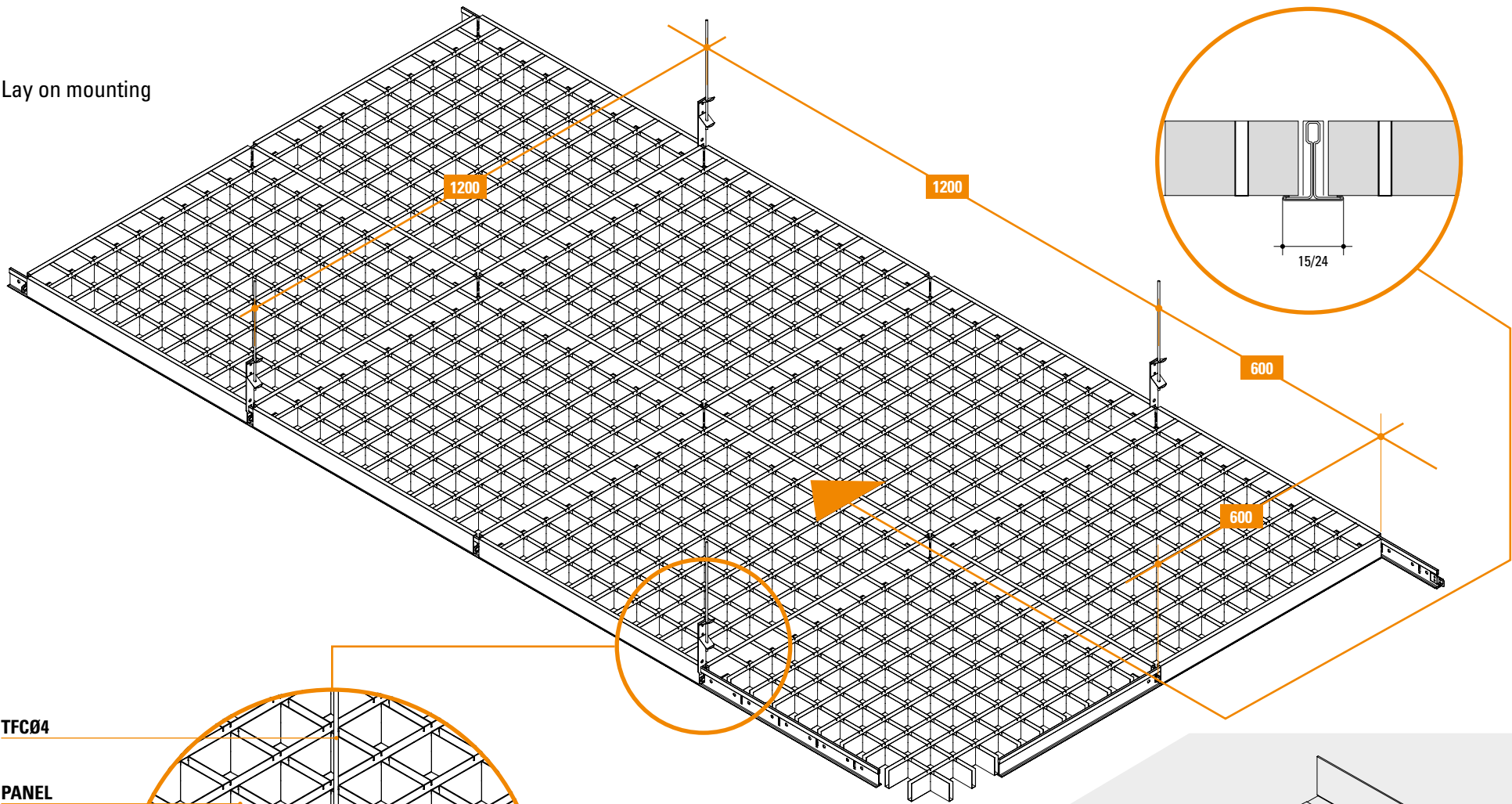
## Theoretical incidences

| Code   | Description          | Q.ty                    |
|--------|----------------------|-------------------------|
| PP3700 | Main runner          | 0,83 m/m <sup>2</sup>   |
| IL1200 | long cross tee       | 1,67 m/m <sup>2</sup>   |
| IC600  | short cross tee      | 0,83 m/m <sup>2</sup>   |
| Panel  | Panel 600x600        | 2,78 pes/m <sup>2</sup> |
| SPPT   | suspension accessory | 0,70 pes/m <sup>2</sup> |
| TFCØ4  | Rod bar              | 0,70 pes/m <sup>2</sup> |

## Sample section



Lay on mounting



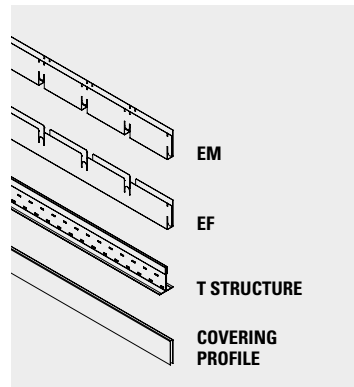
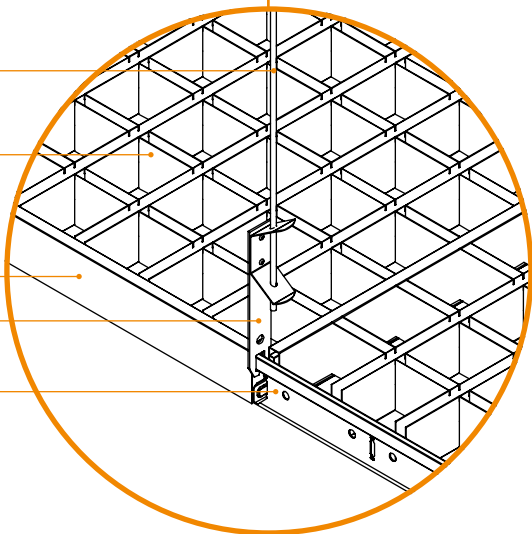
TFCØ4

PANEL

COVERING  
PROFILE

SPPT

PP3700



Perimeter profile

