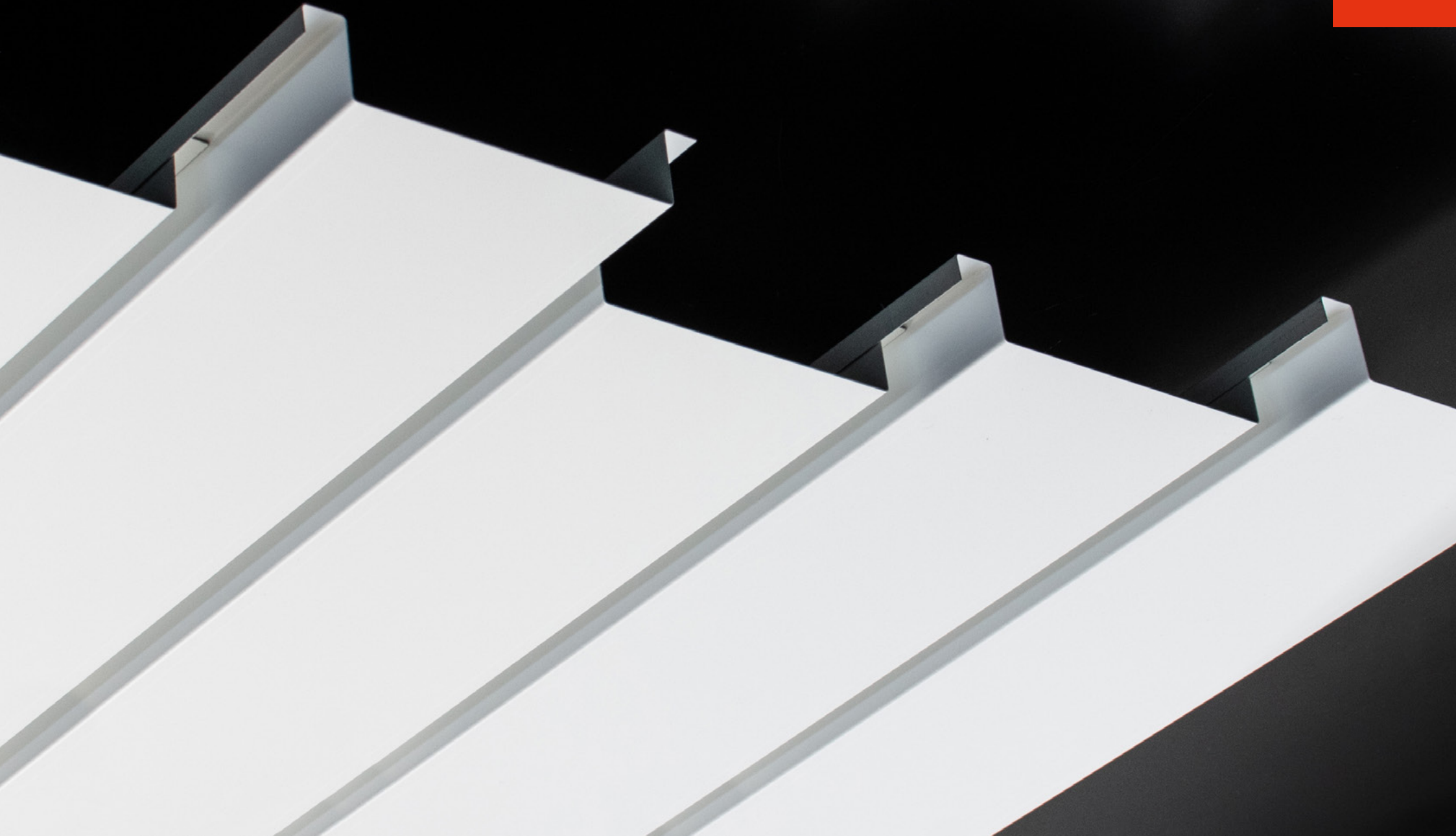


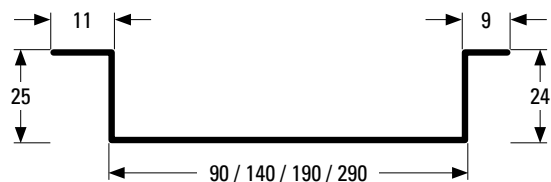
**D** STRIP





# D STRIP

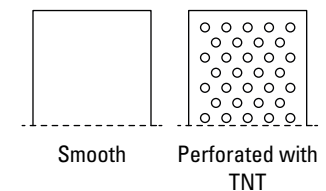
Our D STRIP is special because it creates a “planked” aesthetic effect with the sole help of perimeter profiles without the aid of carriers, giving a high aesthetic quality and visual identity to the environments in which it is installed, such as medium-width corridors. The technological properties of the materials guarantee very high levels of resistance and durability.



## Technical characteristics

European Standard:	CE EN 13964								
Durability:	Class B								
Fire resistance:	A1								
Sound absorption:	EN ISO 354								
Standard colour:	<ul style="list-style-type: none"> <li>• Silver • White • AISI</li> <li>• Post-painted</li> </ul>								
Finish:	<ul style="list-style-type: none"> <li>• Smooth • Perforated</li> </ul>								
Standard material:	Aluminium (3000H46 / 1050AH) Galvanized steel (DX51DZ)								
Standard thickness:	Aluminium 0,5 - 0,6 - 0,8 mm Steel 0,4 - 0,5 - 0,6 mm								
Standard dimension:	<table border="0"> <tr> <td>D100</td> <td>100x25 mm</td> </tr> <tr> <td>D150</td> <td>150x25 mm</td> </tr> <tr> <td>D200</td> <td>200x25 mm</td> </tr> <tr> <td>D300</td> <td>300x25 mm</td> </tr> </table>	D100	100x25 mm	D150	150x25 mm	D200	200x25 mm	D300	300x25 mm
D100	100x25 mm								
D150	150x25 mm								
D200	200x25 mm								
D300	300x25 mm								

## Finish



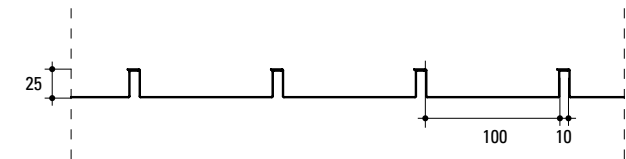
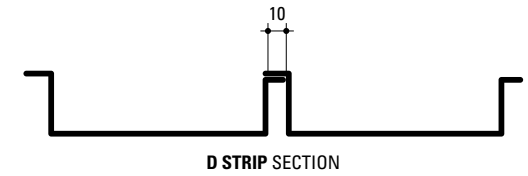
### Strips incidences and suitable carriers

Strip type	Pitch	Strips m/m <sup>2</sup>	Suitable carrier
D100	100	10,0	TR6
D150	150	6,6	TR6
D200	200	5,0	TR6
D300	300	3,3	TR6

### Maximum wheelbase and overhang advised

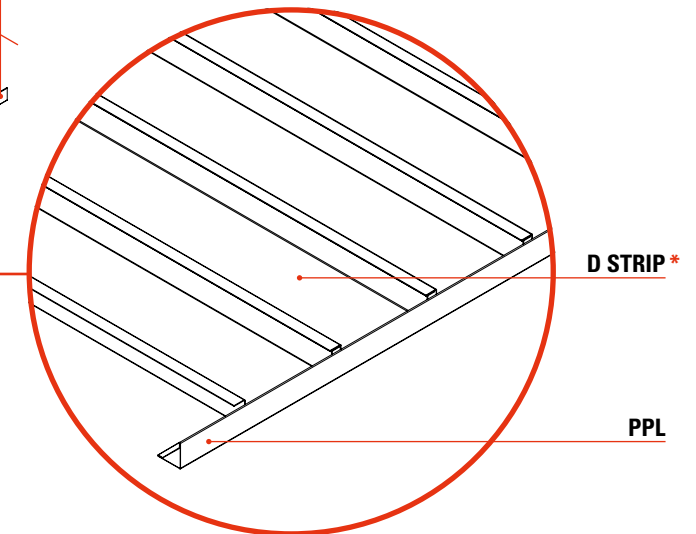
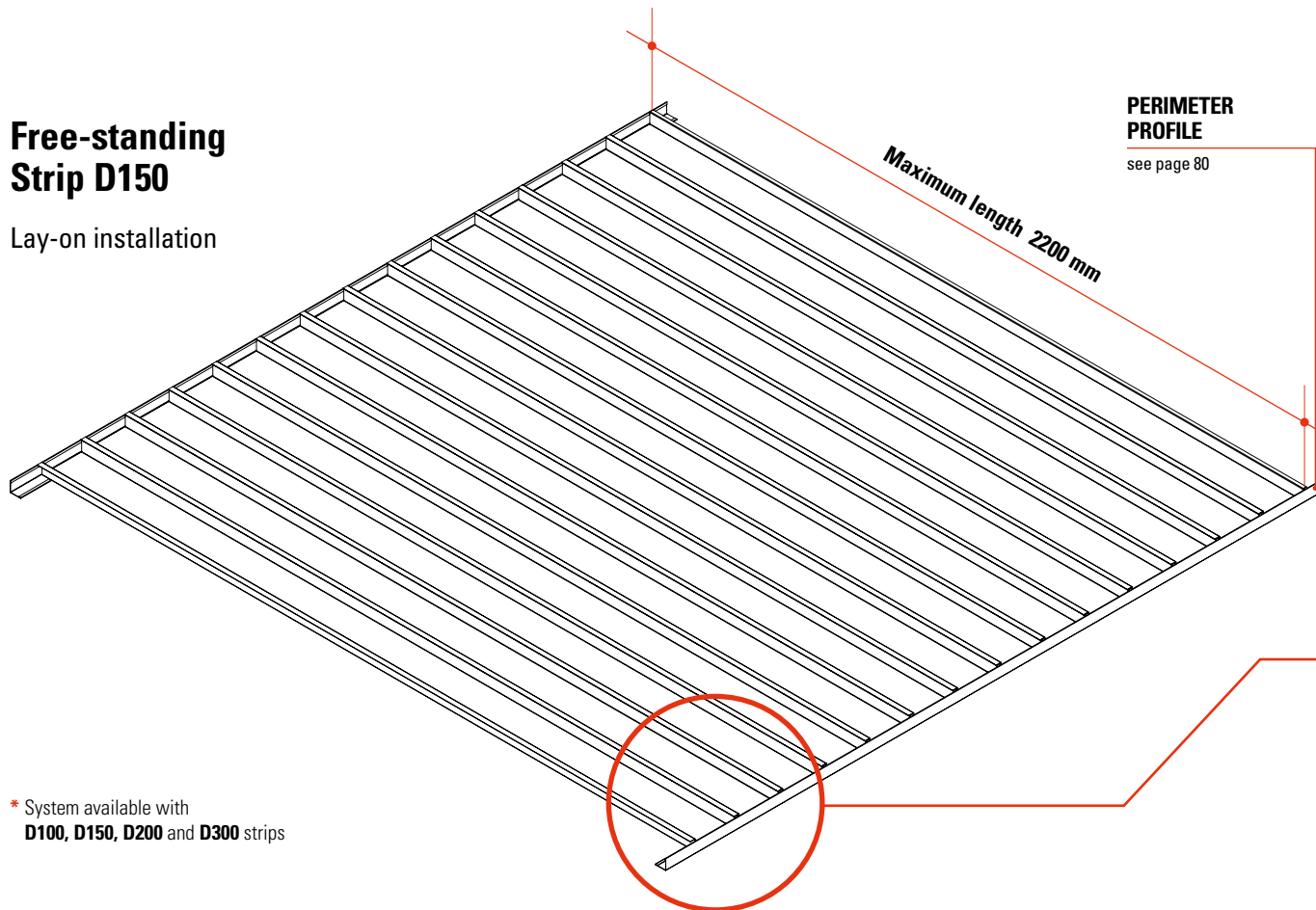
	A	B	C
With insulation*	1200	variable	700
Without insulation	1200	variable	700

\* 3 cm thick sound-absorbing mat of glass wool, rock wool or polyester



## Free-standing Strip D150

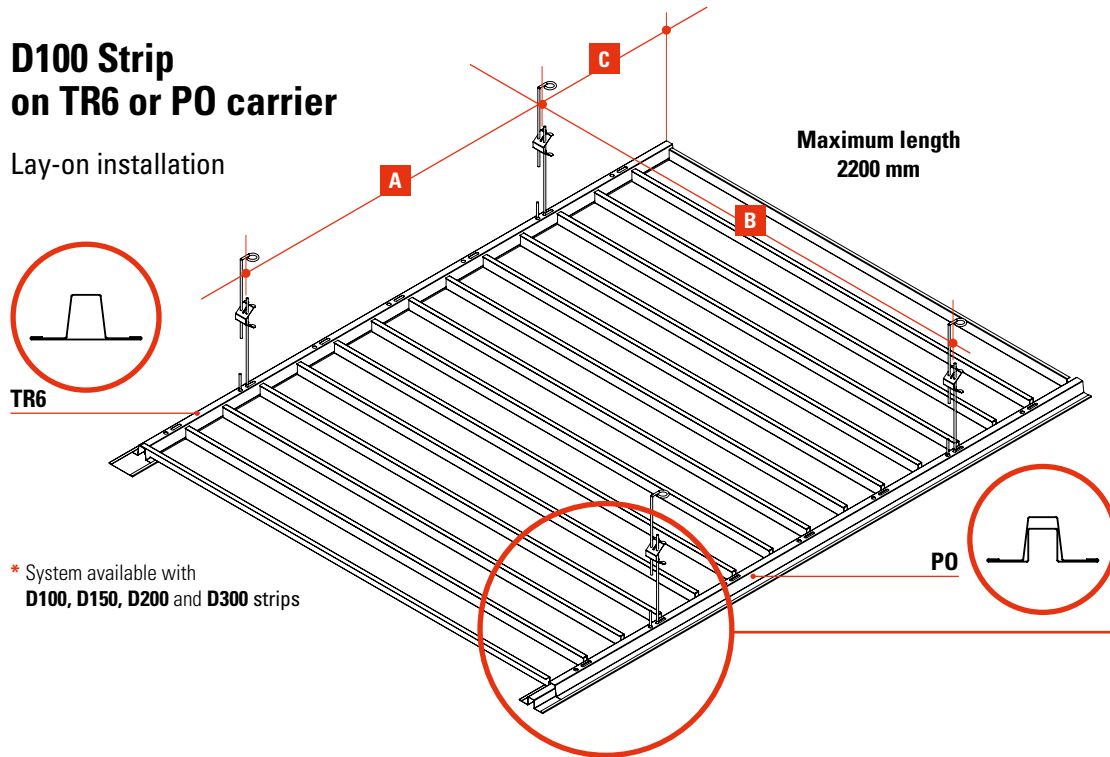
Lay-on installation



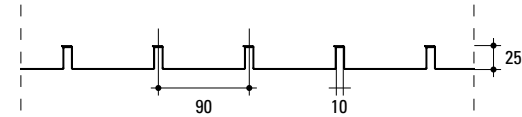
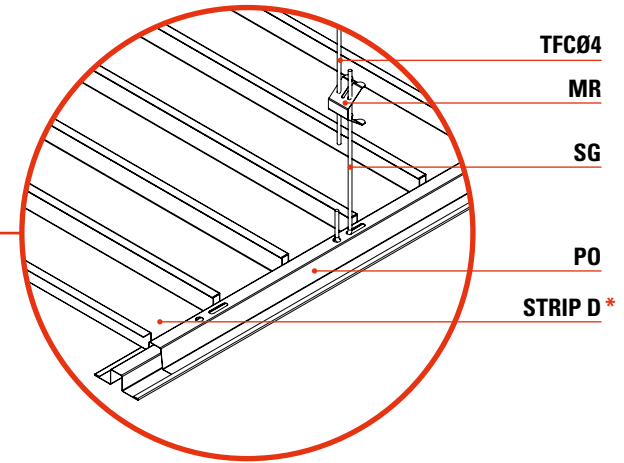
\* System available with D100, D150, D200 and D300 strips

## D100 Strip on TR6 or PO carrier

Lay-on installation

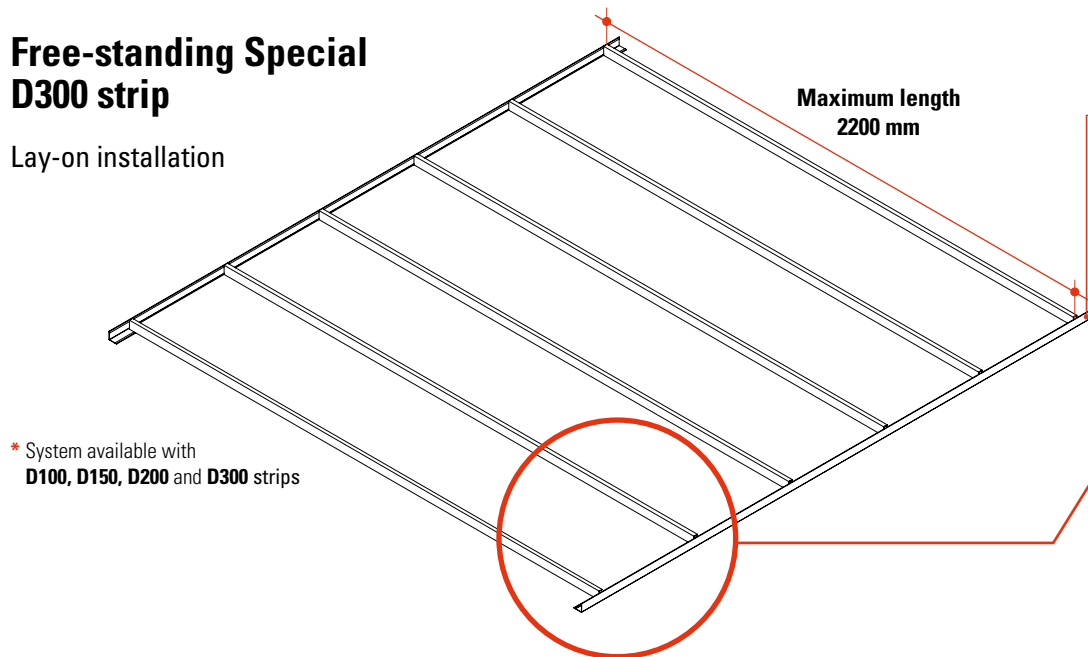


\* System available with  
D100, D150, D200 and D300 strips



## Free-standing Special D300 strip

Lay-on installation



\* System available with  
D100, D150, D200 and D300 strips

PERIMETER  
PROFILE  
see page 80

