

**LV STRIP**





FOR INTERIOR

# LV STRIP

Our profiled LV Strip is suitable for rooms with a slim aesthetic geometry characterised by the play of shadows created by the joint and by the height with the ceiling.

It can be adapted to possible lighting effects that can be inserted in the space gap.

Their vertical installation can be variable in pitch.



## Technical characteristics

European Standard:	CE EN 13964
Durability:	Class B
Fire resistance:	A1
Sound absorption:	EN ISO 354
Standard colour:	• Silver • White • AISI • Post-painted
Finish:	Smooth
Standard material:	Aluminium (3000H46 / 1050AH) Galvanized steel (DX51DZ)
Standard thickness:	Aluminium 0,5 - 0,6 - 0,8 mm Steel 0,4 - 0,5 - 0,6 mm
Standard dimension:	LV 91 mm LV 150 mm LV 200 mm

## Finish



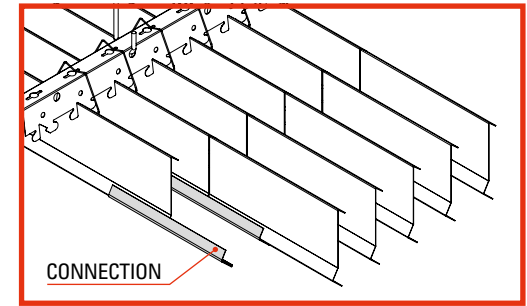
Smooth

### Strips incidences and suitable carriers

Strip type	Pitch	Strips m/m <sup>2</sup>	Suitable carrier	Carrier m/m <sup>2</sup>	Suspension pcs/m <sup>2</sup>
LV91	50	20,0	TR4	0,83	0,70
LV91	100	10,0	TR4	0,83	0,70
LV150	50	20,0	TR4	0,83	0,70
LV200	100	10,0	TR10	0,83	0,70

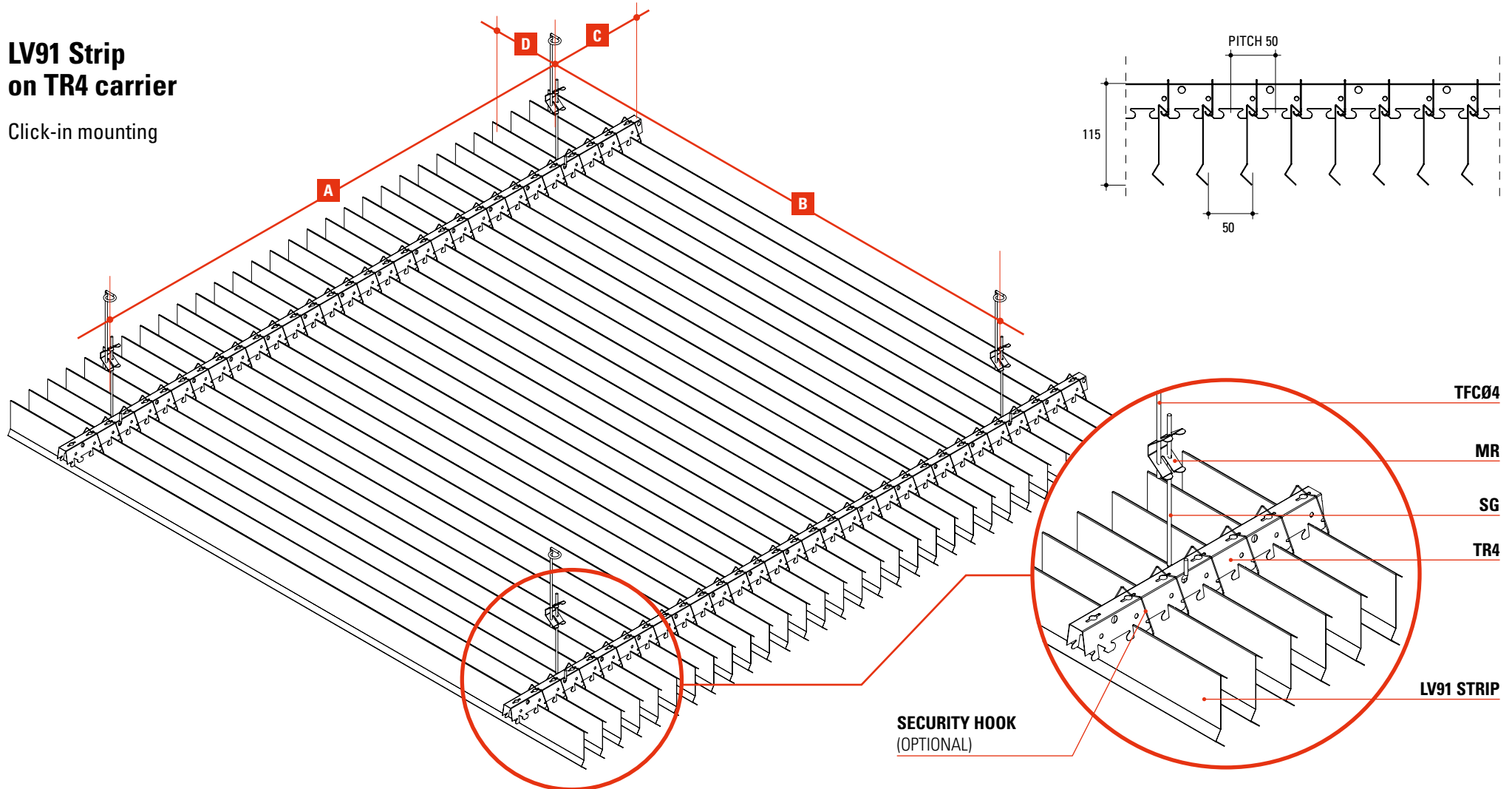
### Maximum wheelbase and overhang advised

	A	B	C	D
Without insulation	1200	1200	750	500



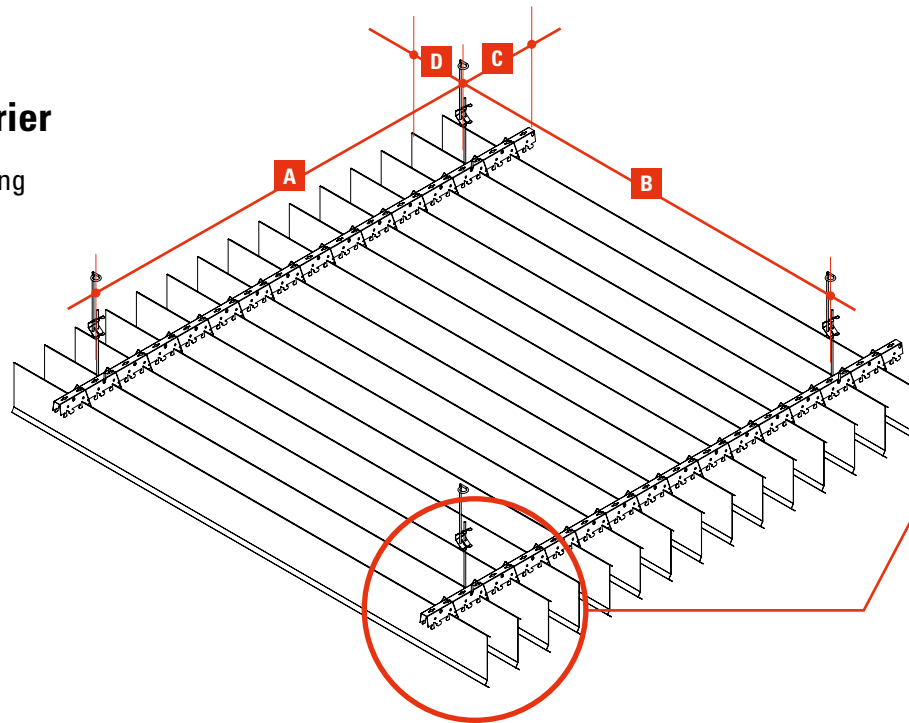
## LV91 Strip on TR4 carrier

Click-in mounting

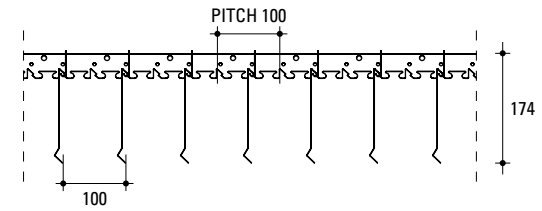
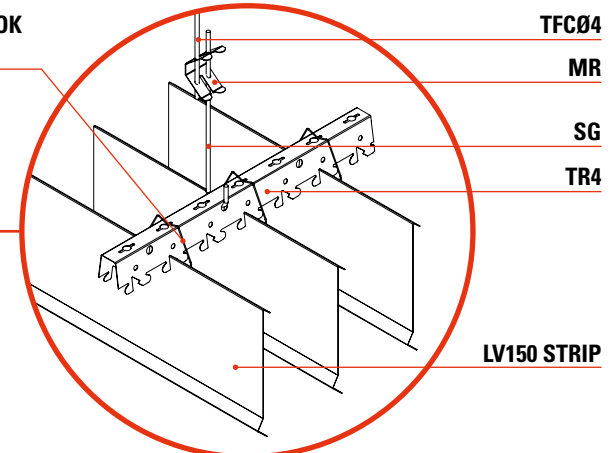


## LV150 Strip on TR4 carrier

Click-in mounting

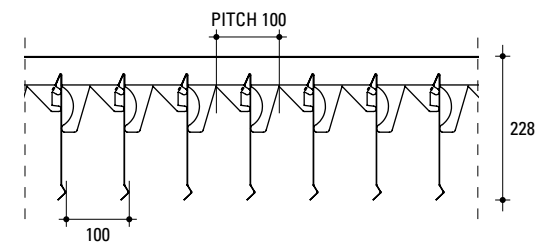
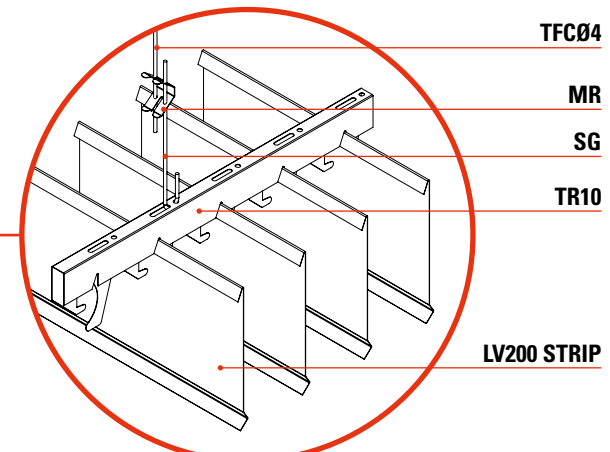
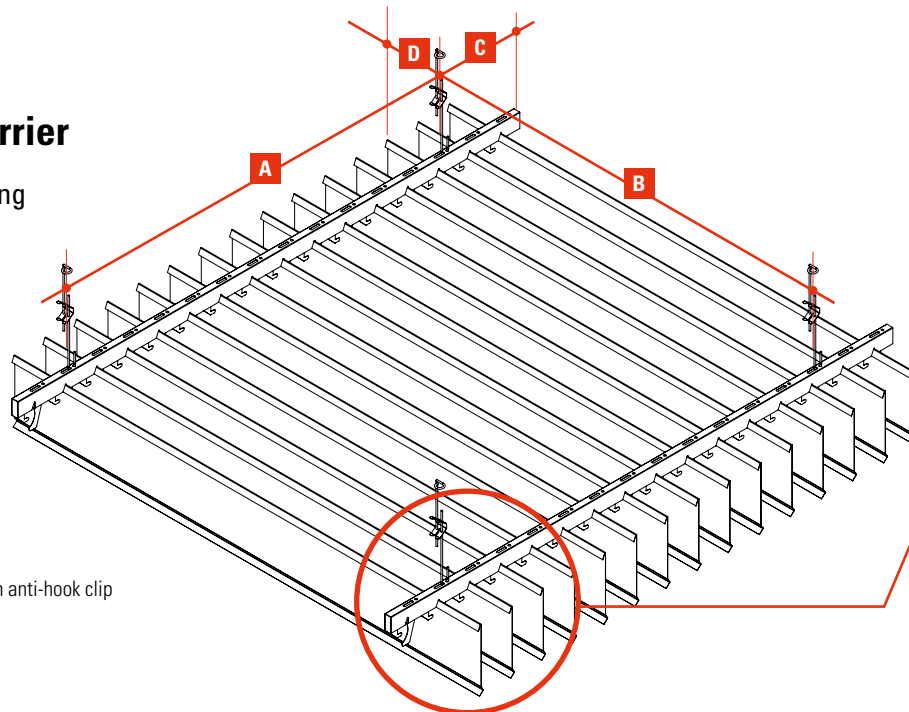


SECURITY HOOK  
(OPTIONAL)



## LV200 Strip on TR10 carrier

Click-in mounting



\* Carrier available with anti-hook clip