

Q80 STRIP





FOR EXTERIOR

Q80 STRIP

A linear strip system suitable for outdoor use. Simple to install, the strip is suitable for ceilings and façades, and is windproof thanks to the anti-hook carrier. Also suitable for sports areas.

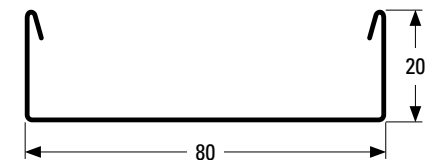
Technical characteristics

Fire resistance:	A1
Standard colour:	• Silver • White • AISI • Post-painted
Finish:	Smooth
Standard material:	Aluminium (3000H46 / 1050AH)
Standard thickness:	Aluminium 0,5 - 0,6 - 0,8 mm
Standard dimension:	Q80 80x20 mm

Finish

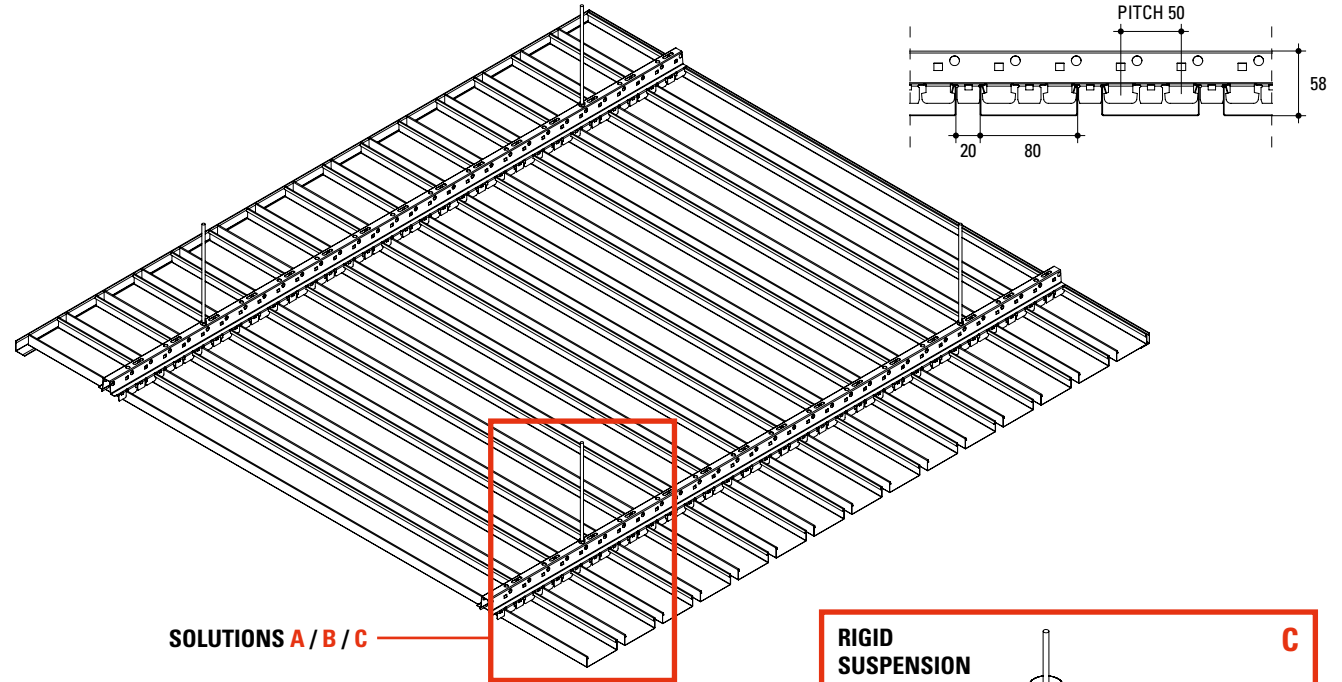
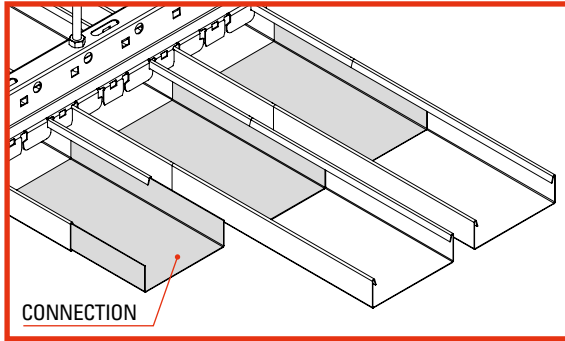


Smooth

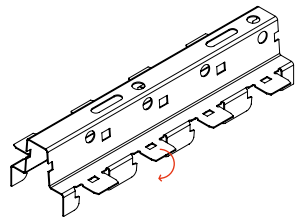


Strips incidence and suitable carriers

Strip type	Pitch	Strips m/m ²	Suitable carrier	Carrier m/m ²	Suspension pcs/m ²
Q80	100	10	TR8	1,00	1,00



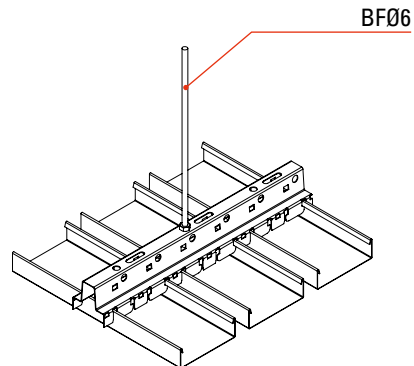
SOLUTIONS A/B/C



Carrier with strip locking clip to be lowered after having clicked in the strips

SUSPENSION WITH THREADED BAR

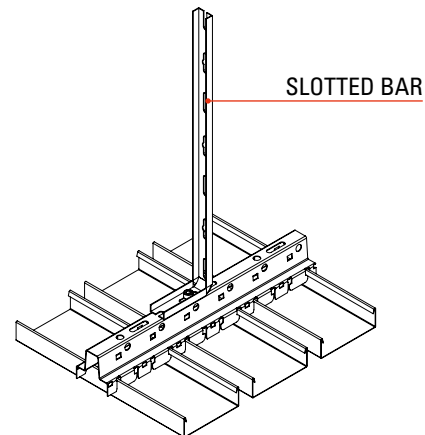
A



Suspension height up to 300 mm

SUSPENSION WITH SLOTTED BAR

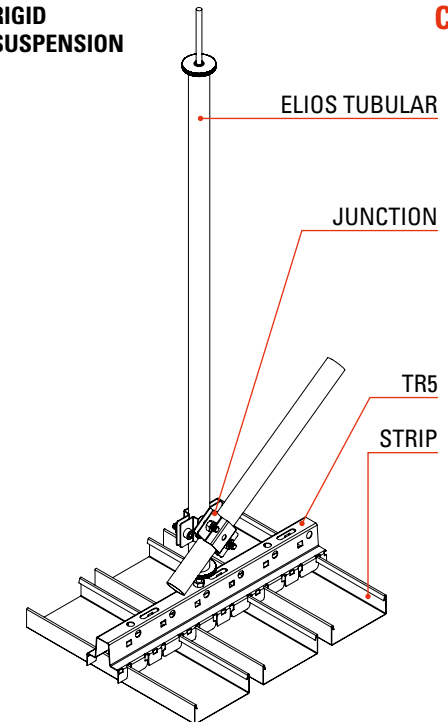
B



Suspension height up to 600 mm

RIGID SUSPENSION

C



Suspension height up to 600 mm