

**Q** STRIP



# Q STRIP

/ **Q35/85/135/185**

/ **Q30**

/ **Q40**

/ **Q90**

Our profiled Q STRIP is suitable for rooms where a linear and square aesthetic geometry is required, marked by the play of shadows created by the joint and the height with the ceiling. It has the particularity of being multi-modular on the carrier.



FOR INTERIOR

# Q STRIP

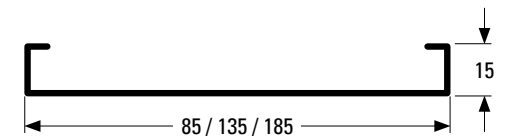
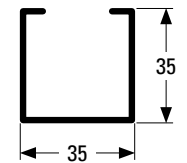
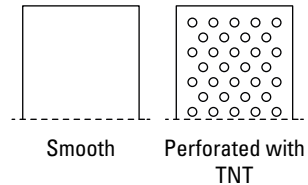
**35/85/135/185**



## Technical characteristics

European Standard:	CE EN 13964
Durability:	Class B
Fire resistance:	A1
Sound absorption:	EN ISO 354
Standard colour:	• Silver • White • AISI • Post-painted
Finish:	• Smooth • Perforated
Standard Material:	Aluminium (3000H46 / 1050AH) Galvanized steel (DX51DZ)
Standard thickness:	Aluminium 0,5 - 0,6 - 0,8 mm Steel 0,4 - 0,5 - 0,6 mm
Standard dimensions:	Q35            35x35 mm Q85            85x15 mm Q135          135x15 mm Q185          185x15 mm

## Finish



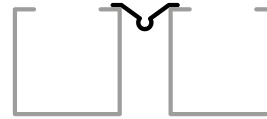
### Strips incidences and suitable carriers

Strip type	Pitch	Strips m/m <sup>2</sup>	Suitable carrier	Carrier m/m <sup>2</sup>	Suspension pcs/m <sup>2</sup>
Q35	50	20,0	TR4	0,83	0,70
Q85	100	10,0	TR4	0,83	0,70
Q135	150	6,6	TR4	0,83	0,70
Q185	200	5,0	TR4	0,83	0,70

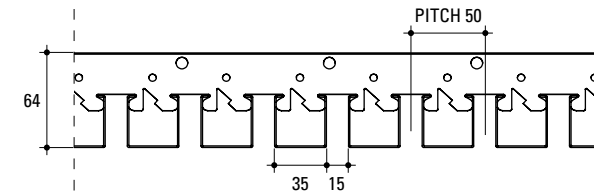
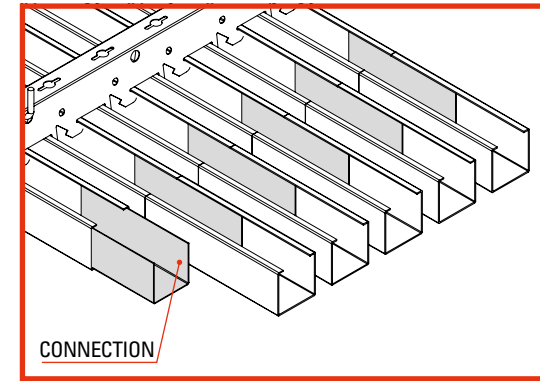
### Maximum wheelbase and overhang advised

	A	B	C	D
With insulation*	1200	1100	700	600
Without insulation	1200	1200	800	800

\* 3 cm thick sound-absorbing mat of glass wool, rock wool or polyester

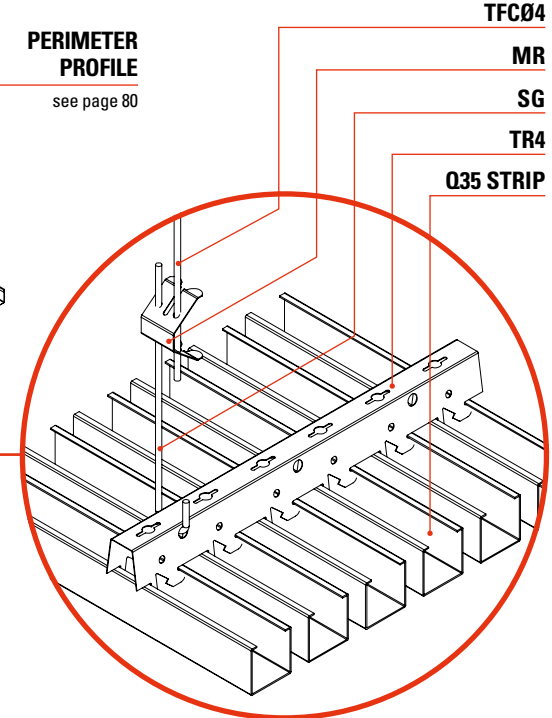
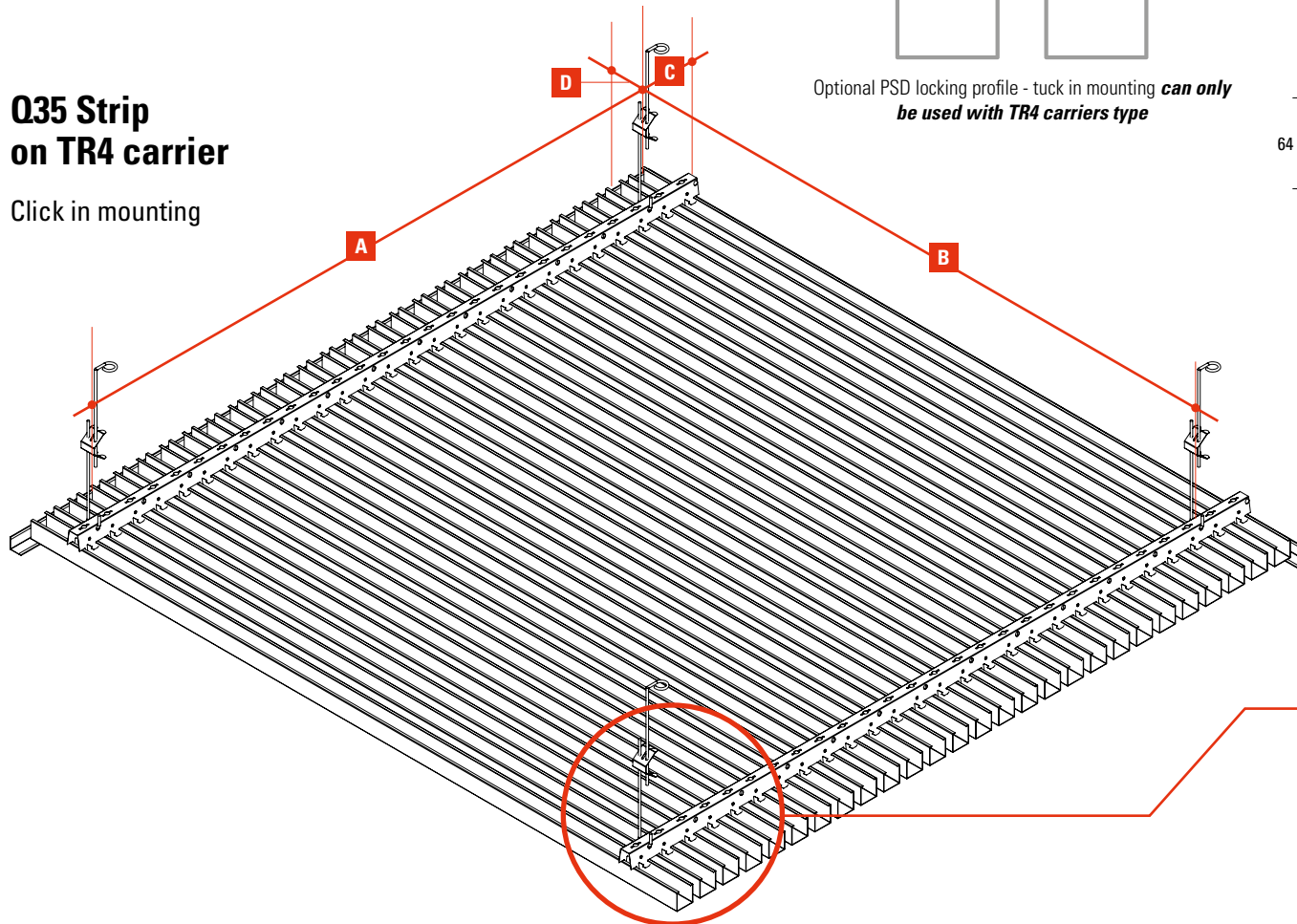


Optional PSD locking profile - tuck in mounting **can only be used with TR4 carriers type**



### Q35 Strip on TR4 carrier

Click in mounting





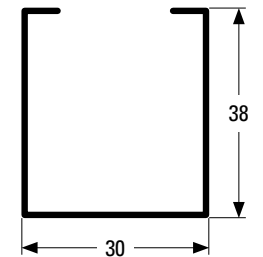
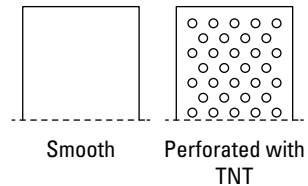
FOR INTERIOR

# Q30 STRIP

## Technical characteristics

European Standard:	CE EN 13964
Durability:	Class B
Fire resistance:	A1
Sound absorption:	EN ISO 354
Standard colour:	• Silver • White • AISI • Post-painted
Finish:	• Smooth • Perforated
Standard material:	Alluminium (3000H46 / 1050AH) Galvanized steel (DX51DZ)
Standard thickness:	Alluminium 0,5 - 0,6 - 0,8 mm Steel 0,4 - 0,5 - 0,6 mm
Standard dimension:	Q30      30x38 mm

## Finish



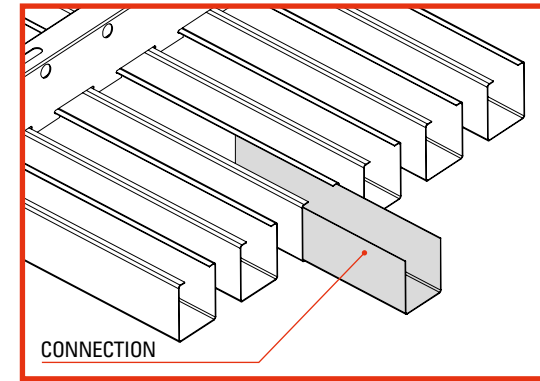
### Strips incidences and suitable carriers

Strip type	Pitch	Strips m/m <sup>2</sup>	Suitable carrier	Carrier m/m <sup>2</sup>	Suspension pcs/m <sup>2</sup>
Q30	50	20,0	TR9	0,83	0,70

### Maximum wheelbase and overhang advised

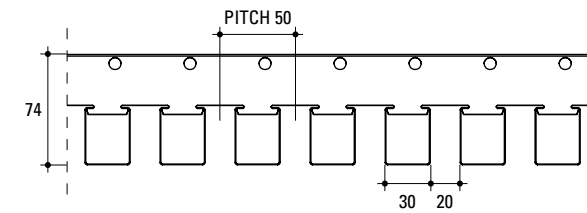
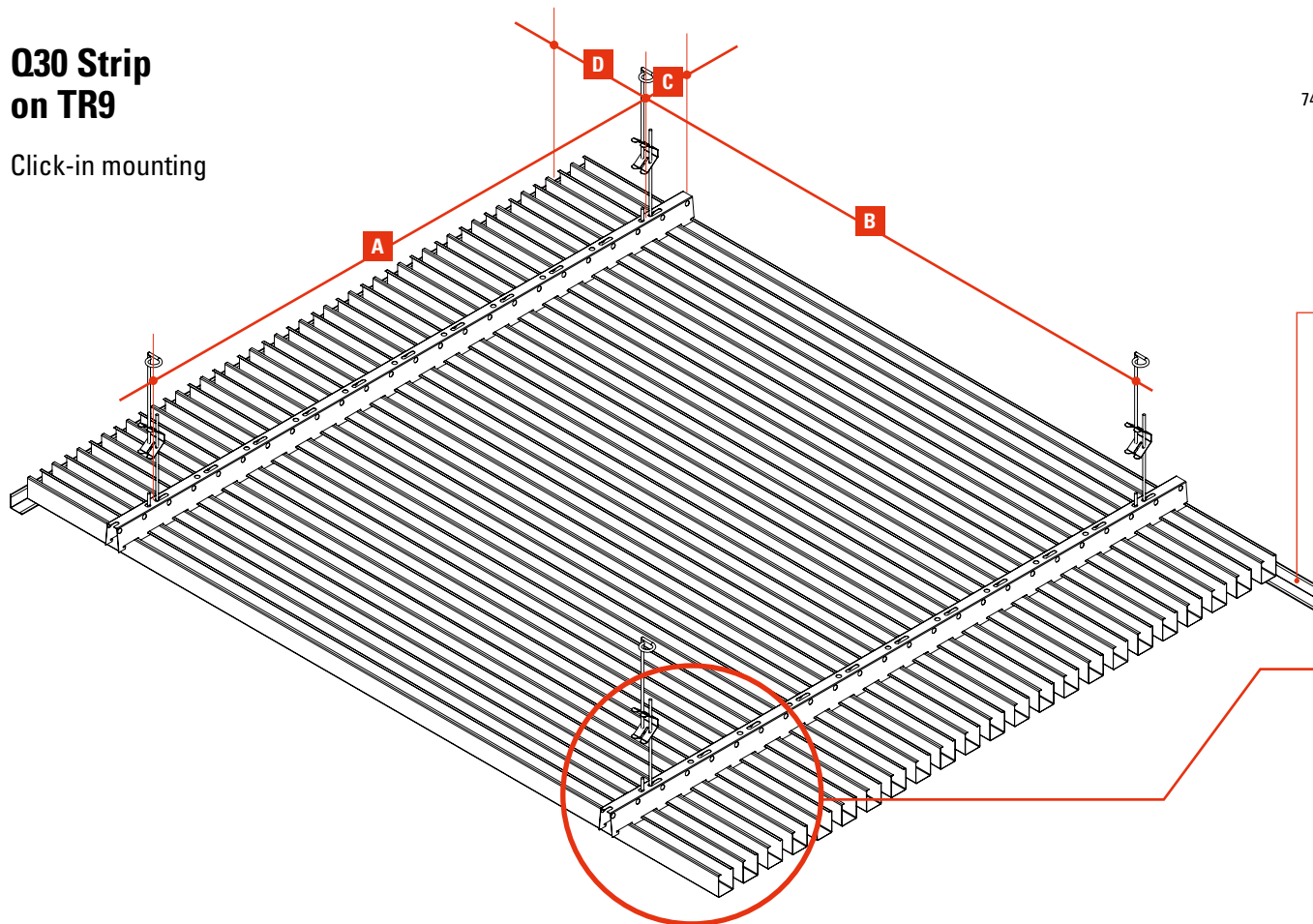
	A	B	C	D
With insulation*	1200	1100	700	600
Without insulation*	1200	1200	800	800

\* 3 cm thick sound-absorbing mat of glass wool, rock wool or polyester



### Q30 Strip on TR9

Click-in mounting



**PERIMETER  
PROFILE**

see page 80

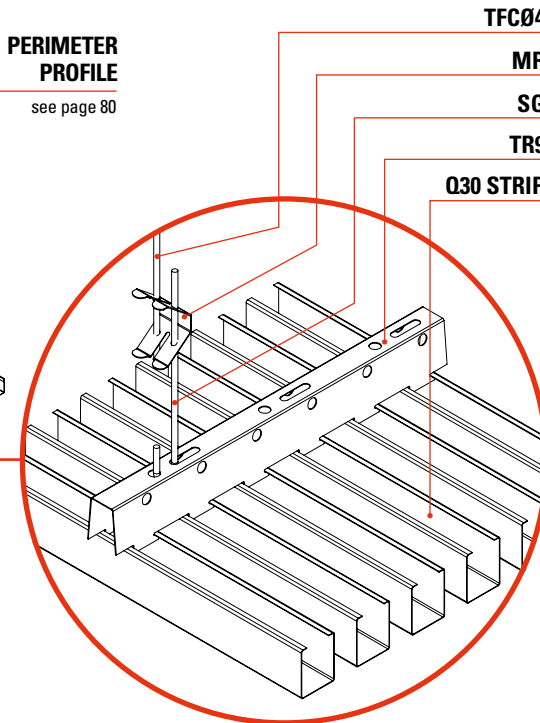
**TFCØ4**

**MR**

**SG**

**TR9**

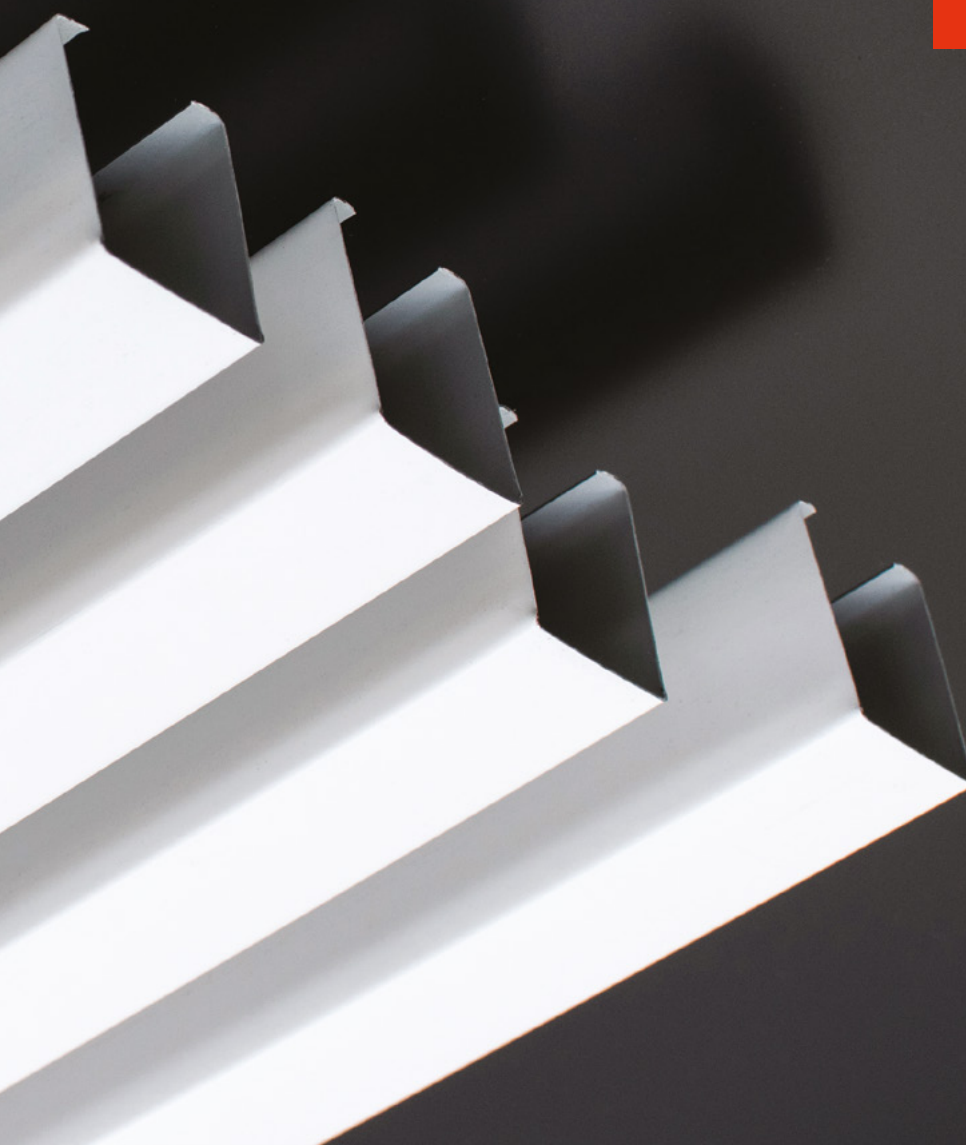
**Q30 STRIP**





FOR INTERIOR

# Q40 STRIP



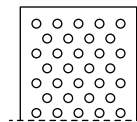
## Technical characteristics

European Standard:	CE EN 13964
Durability:	Class B
Fire resistance:	A1
Sound absorption:	EN ISO 354
Standard colour:	• Silver • White • AISI • Post-painted
Finish:	• Smooth • Perforated
Standard material:	Alluminium (3000H46 / 1050AH) Galvanized steel (DX51DZ)
Standard thickness:	Alluminium 0,5 - 0,6 - 0,8 mm Steel 0,4 - 0,5 - 0,6 mm
Standard dimensions:	Q40                      40x40 mm

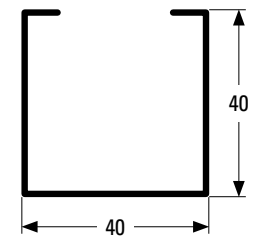
## Finish



Smooth



Perforated with  
TNT



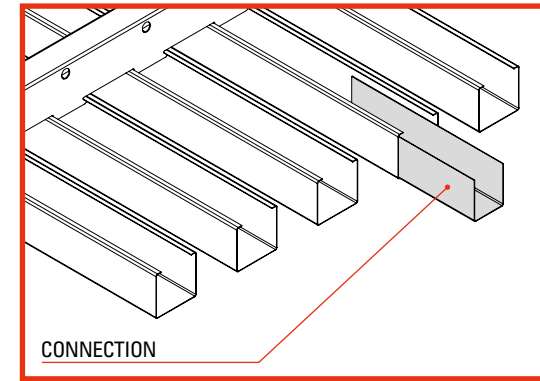
### Strips incidences and suitable carriers

Strip type	Pitch	Strips m/m <sup>2</sup>	Suitable carrier	Carrier m/m <sup>2</sup>	Suspension pcs/m <sup>2</sup>
Q40	80	12,5	TR11	0,83	0,70

### Maximum wheelbase and overhang advised

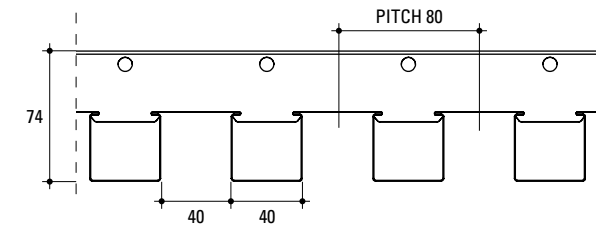
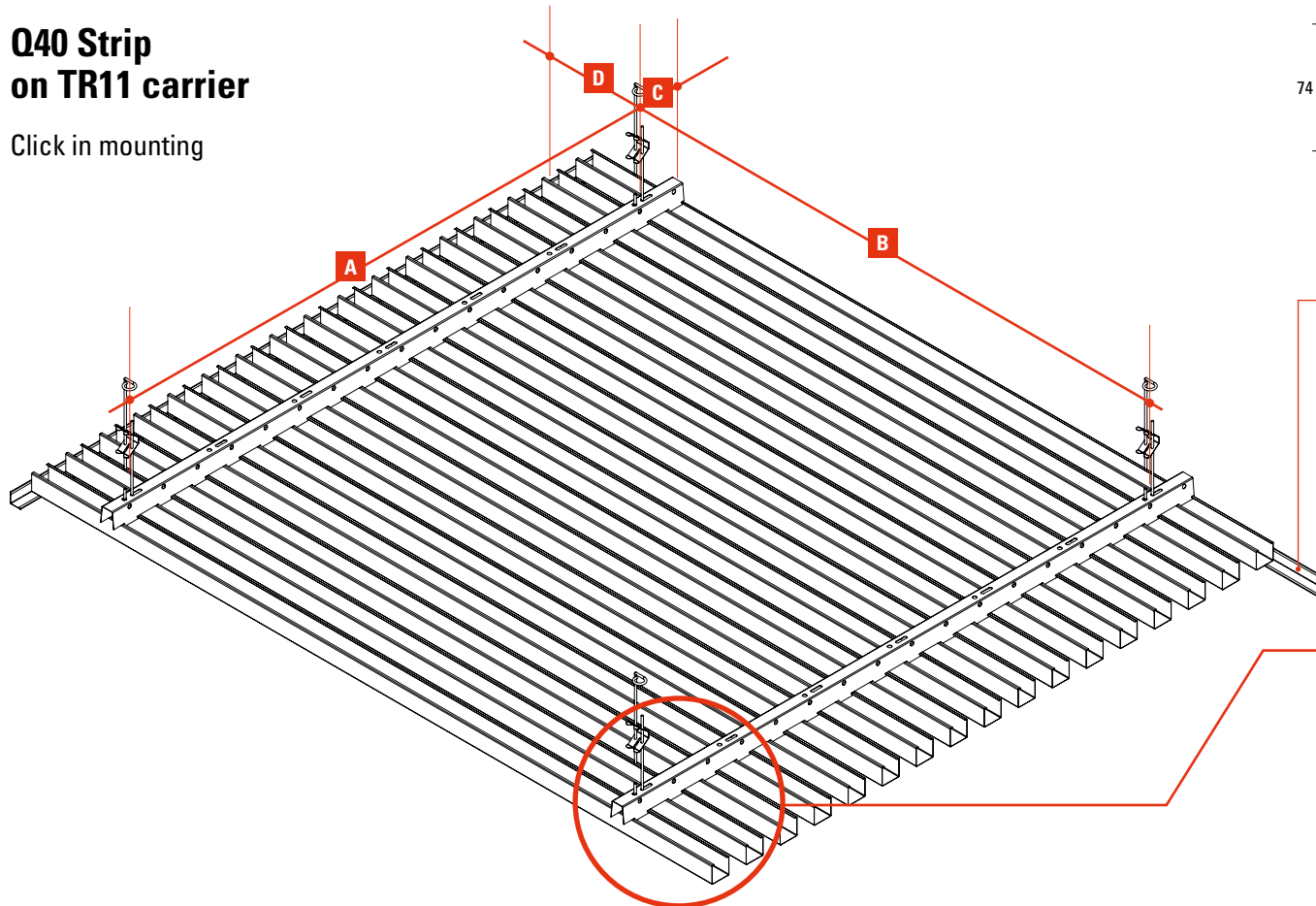
	A	B	C	D
With insulation*	1200	1100	700	600
Without insulation	1100	1200	800	800

\* 3 cm thick sound-absorbing mat of glass wool, rock wool or polyester



### Q40 Strip on TR11 carrier

Click in mounting



**PERIMETER  
PROFILE**  
see page 80

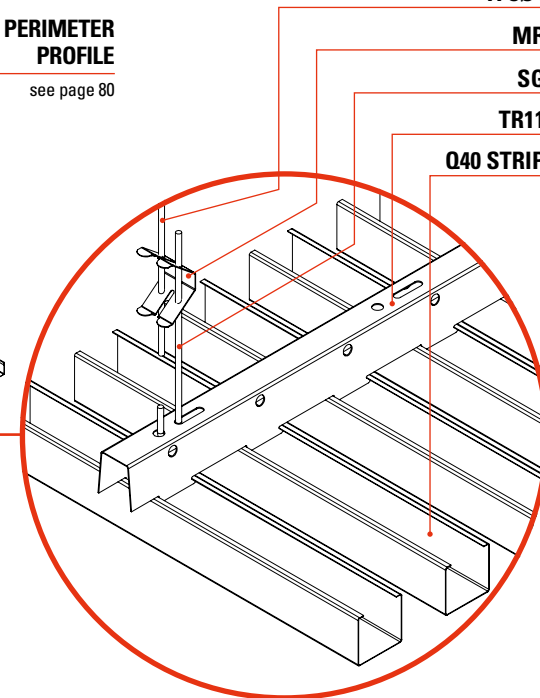
**TFCØ4**

**MR**

**SG**

**TR11**

**Q40 STRIP**

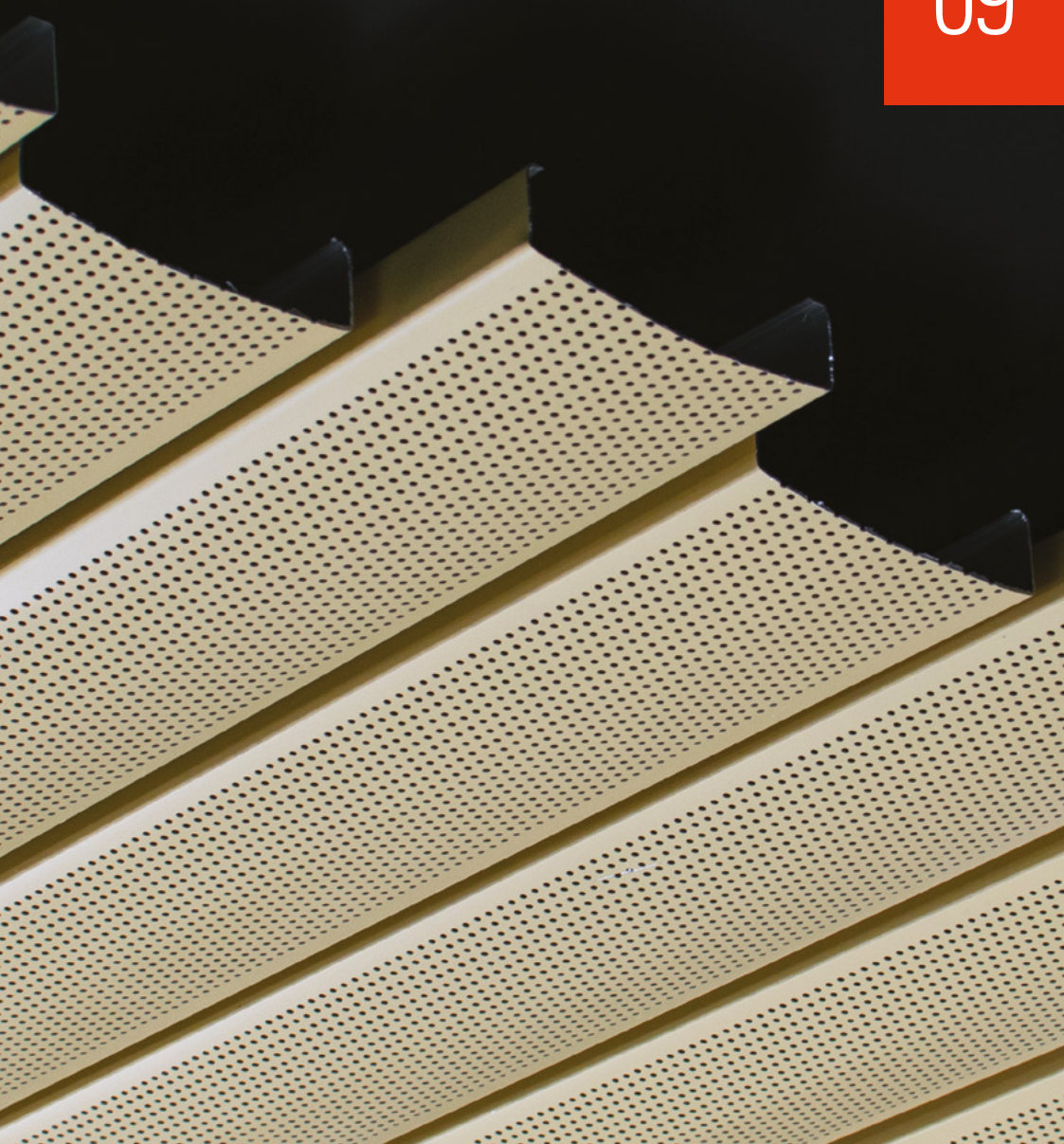




09

# Q90 STRIP

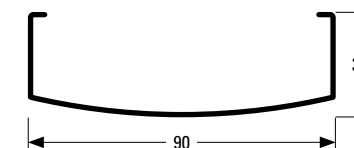
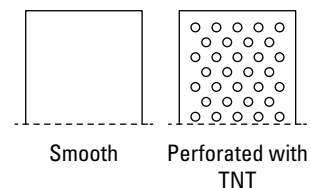
Our Q90 strip is not the classic profiled strip, it has a round shape at the base that creates a decoration of the ceiling and a unique play of shadows. Moreover the joint between the strips makes it even more evident. Made with passion and the best materials, it is available in steel and aluminium, with a smooth, perforated or corrugated finish.



## Technical characteristics

European Standard:	CE EN 13964
Durability:	Class B
Fire resistance:	A1
Sound absorption:	EN ISO 354
Standard colour:	<ul style="list-style-type: none"> <li>• Silver • White • AISI</li> <li>• Post-painted</li> </ul>
Finish:	<ul style="list-style-type: none"> <li>• Smooth • Perforated</li> </ul>
Standard material:	Alluminium (3000H46 / 1050AH) Galvanized steel (DX51DZ)
Standard thickness:	Alluminium 0,5 - 0,6 - 0,8 mm Steel 0,4 - 0,5 - 0,6 mm
Standard dimension:	Q90      90x30 mm

## Finish



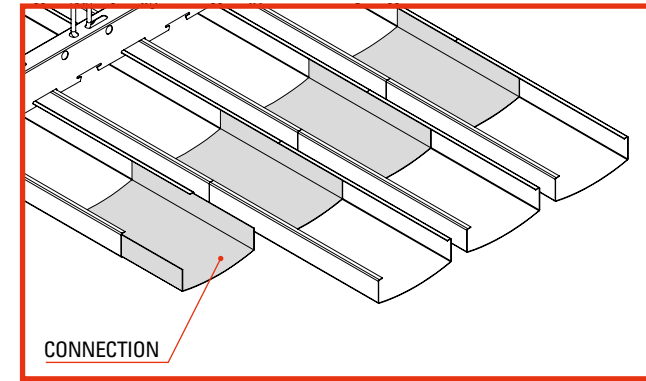
### Strips incidence and suitable carriers

Strip type	Pitch	Strips m/m <sup>2</sup>	Suitable carrier	Carrier m/m <sup>2</sup>	Suspension pcs/m <sup>2</sup>
Q90	110	9,10	TR12	0,83	0,70

### Maximum wheelbase and overhang advised

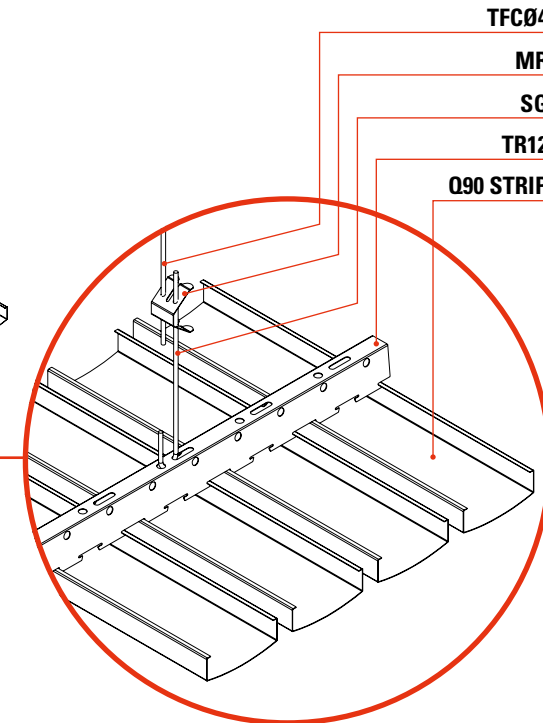
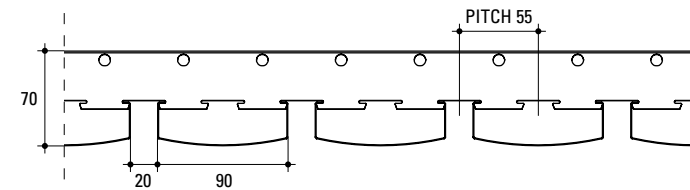
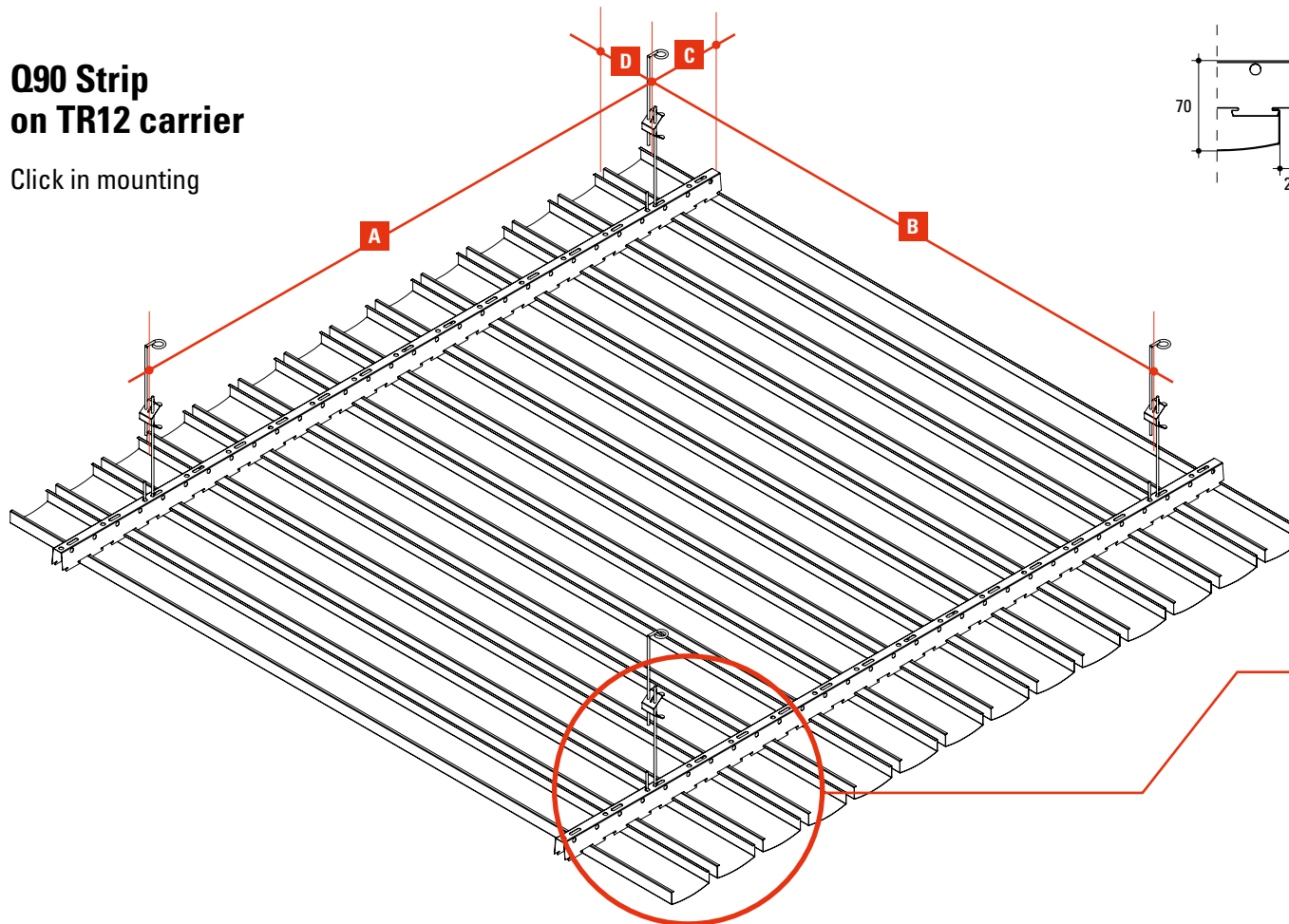
	A	B	C	D
With insulation*	1200	1100	300	300
Without insulation	1200	1200	400	400

\* 3 cm thick sound-absorbing mat of glass wool, rock wool or polyester



### Q90 Strip on TR12 carrier

Click in mounting



- TFCØ4
- MR
- SG
- TR12
- Q90 STRIP