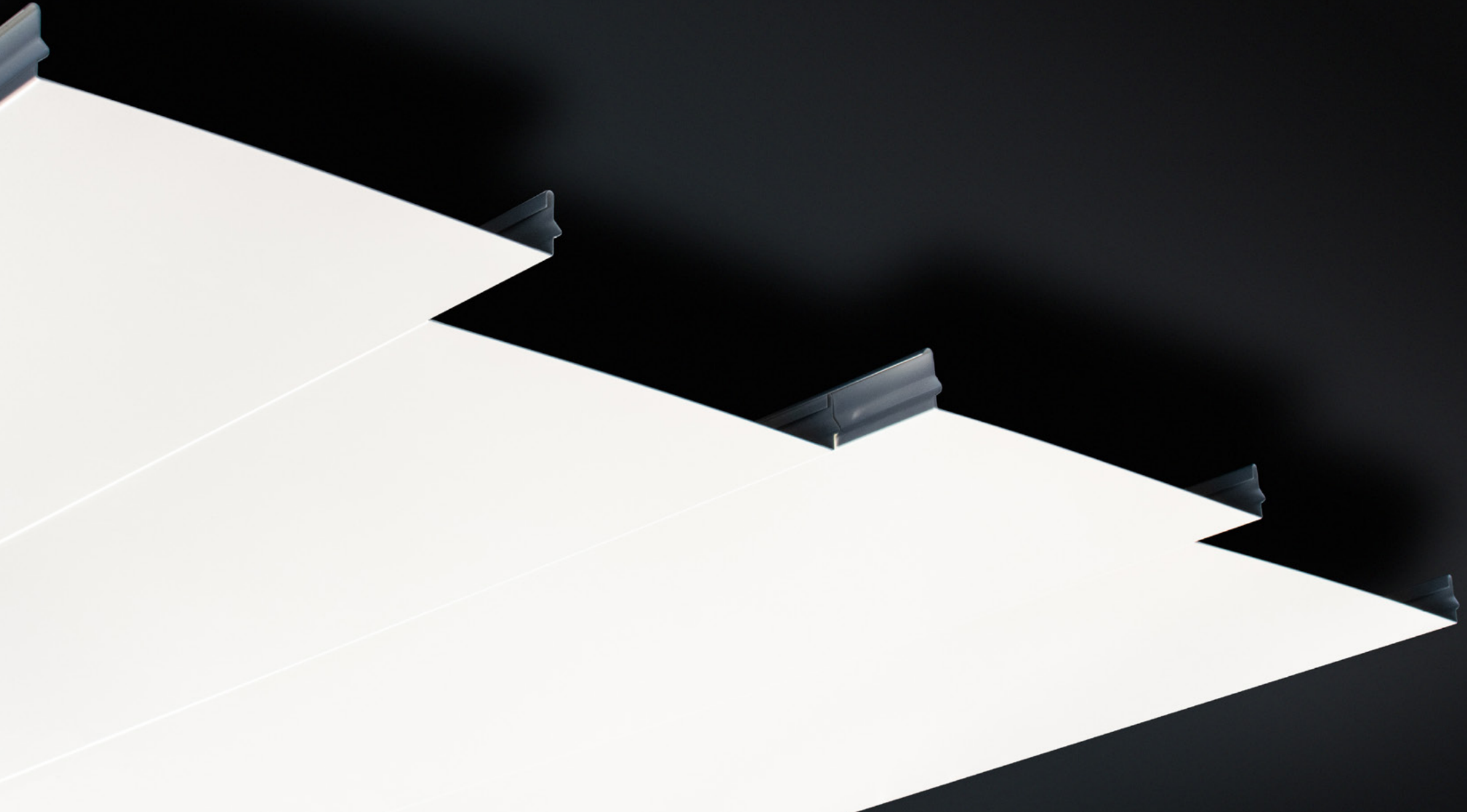


S300 STRIP





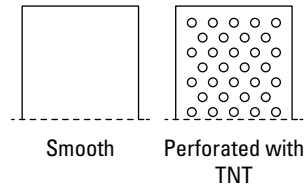
FOR INTERIOR

S300 STRIP

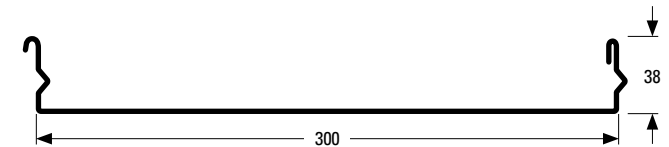
Technical characteristics

European Standard:	CE EN 13964
Durability:	Class B
Fire resistance:	A1
Sound absorption:	EN ISO 354
Standard colour:	• Silver • White • AISI • Post-painted
Finish:	• Smooth • Perforated
Standard material:	Aluminium (3000H46 / 1050AH) Galvanized steel (DX51DZ)
Standard thickness:	Aluminium 0,7 - 0,8 - 1 mm Steel 0,7 - 0,8 - 1 mm
Standard dimension:	S300 300x38 mm

Finish



This free-standing strip is suitable for rooms with a wide span of light, allowing the construction of joint-free ceilings. The special ribbing and hooking between the strips give the whole system a high degree of rigidity for installation in corridors or even in rooms with more demanding dimensions. It can be combined with a tile breaker.



Strips incidence and suitable carriers

Strip type	Pitch	Strips m/m ²
S300	300	3,33

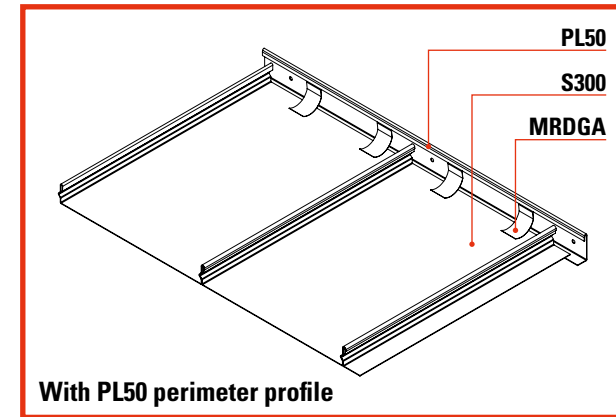
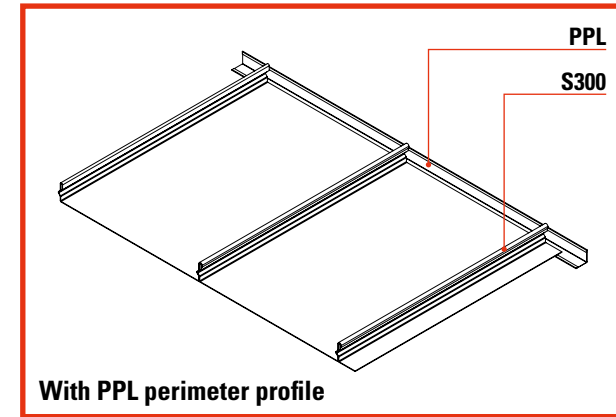
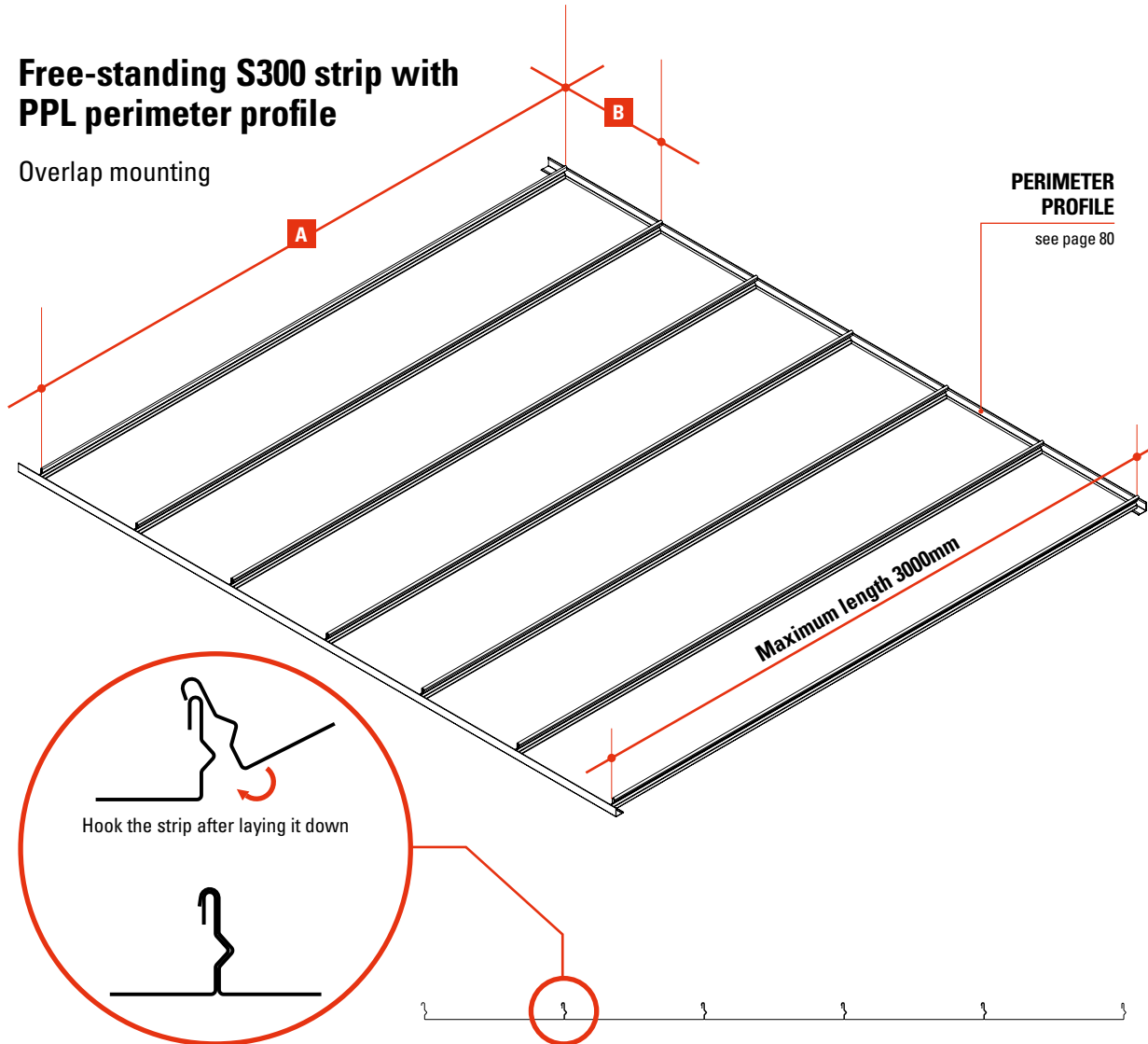
Maximum wheelbase and overhang advised

	A	B
With insulation*	2500	300
Without insulation	3000	300

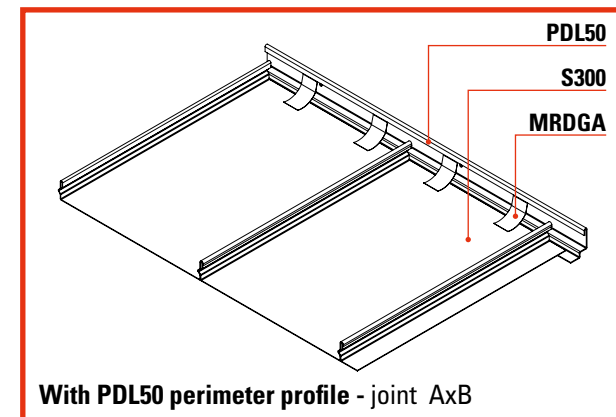
* 3 cm thick sound-absorbing mat of glass wool, rock wool or polyester

Free-standing S300 strip with PPL perimeter profile

Overlap mounting



Also suitable for exterior use



Also suitable for exterior use