

DIN G75A

Rail

GENERAL DESCRIPTION

The profile, which has a U-shaped section with equal sides, is mainly used as a rail for omega profiles, studs and as perimeter profile. Suitable for interior use and for creating false ceilings, false walls and self-supporting ceilings, with plasterboard cladding.

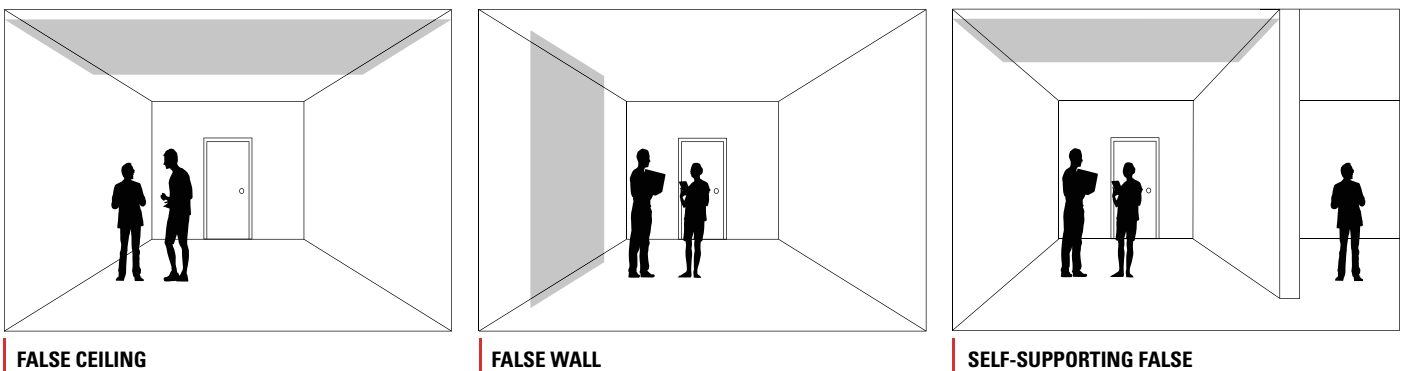
USED MATERIAL

The profile is made of carbon steel type DX51D Z100, continuously hot-dip galvanised, having yield strength greater than 300 N/mm² and defined by the European standard EN 10346 with zinc coating of 100 g/m² (higher grammage available upon request).

Further coatings consist of:

- Zinc-aluminium type DX51D+AZ: this combination gives the profile excellent corrosion resistance, superior to that of galvanised steel profiles, making them suitable for both indoor and outdoor use.
- Zinc-magnesium type DX51D+ZM: This type of coating gives the profile an extraordinary degree of protection to corrosion on the surface and is self-healing on the cut edges, making it suitable for even the most hostile environments.

REPRESENTATION



ADVANTAGES AND APPLICATIONS OF G75A PROFILE

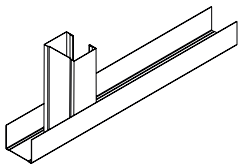
The **G75A** rail has superior versatility and features that make it advantageous in its field; it has 6 mm holes mounted at 250 mm pitch giving the rail a precise fastening.

- Profile suitable for application with **M74A**.
- Profile suitable for application with **SPO**

***The information marked individually by ink on the side of each profile are:**

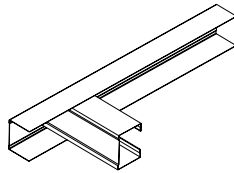
GUERRASIO ID - PRODUCT IDENTIFICATION - DIMENSIONS - CE REGULATION - EUROPEAN NORM - DATE - TIME

FASTENING TO THE FLOOR



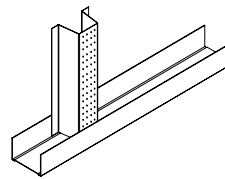
G75A with **M74A**

FASTENING TO THE PERIMETER



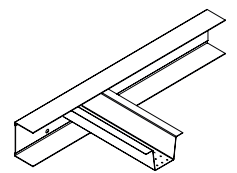
G75A with **M74A**

FASTENING TO THE FLOOR



G75A with **SPO**

FASTENING TO THE PERIMETER



G75A with **SPO**

NORMATIVE REFERENCES

- Construction product according to Regulation (EU) 305/2011
- CE marking in accordance with EN 14195
- Metal quality and coating degree according to EN 10143 and EN 10346
- Product according to DIN 12182

CE MARKING

The products listed in this catalogue are intended for use inside buildings. Each product has a Declaration of Performance (DoP). Reaction to fire: class A1/Durability: class B (building components exposed to variable relative humidity up to 90% and variable temperatures up to 30°C but without corrosive contaminants, except for products in class C5-M).

PRODUCT STORAGE

Store the packs in a covered areas with a relatively dry atmosphere and at a temperature as constant as possible, in order to avoid condensation which may reduce the state of passivation protecting the galvanised surface. If stored outdoors (not recommended), use a cover that provides perfect protection of the material against the weather (rain, fog, snow), taking care to place the packages at a slight angle. This cover must in any case be such as to allow adequate ventilation (not bringing the two surfaces into direct contact) so that moisture does not accumulate and create condensation.

PACKAGING MATERIAL

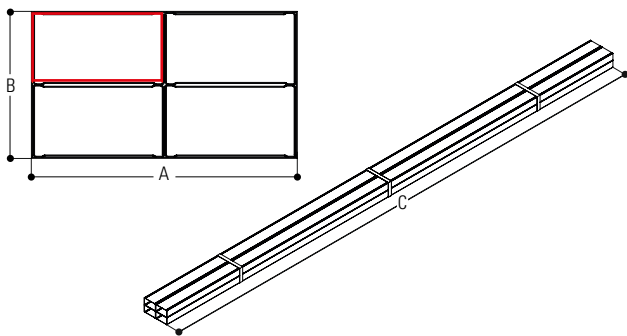
The package is made with plastic strips. The pallet is made using plastic strips, wooden supports and laths. The packaging is suitably sized to facilitate handling in warehouses and on construction sites.

TECHNICAL DATA

CHARACTERISTIC	REFERENCE NORM	VALUE	UNIT OF MEASUREMENT
Type	EN 14195	Metal structure	-
Reaction to fire	EN 14195-1A	1	-
Standard thickness	EN 10143	0,6 - 0,8	mm
Thickness tolerance	EN 10143	± 0,07	mm
Length	EN 14195	3000-4000	mm
Length tolerance	EN 14195	± 4	mm
Protective coating	EN 10346	5 ÷ 12	µm
Yield stress	EN 10143	340	N/mm ²

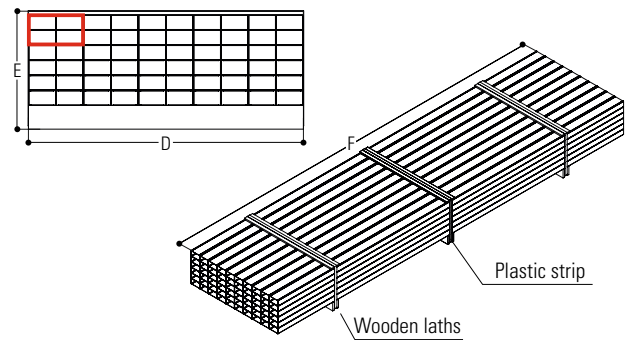
PACKING AND PALLET SHEET

PACKAGING



Profile weight	Kg/lm	0,720
	Kg/pc	2,160 2,880
Profile pieces	N°	8
Total for package	lm	24 3 lm
	Kg	17,28
	lm	32 4 lm
	Kg	23,04
Dimensions	mm	150 85 3000 3 lm a b c
		150 85 4000 4 lm a b c

PALLET



Packages	Pcs	15
Total profiles	Pcs	120
Total for pallets	lm	360 3 lm
	Kg	259
	lm	480 4 lm
Dimensions	mm	760 330 3000 3 lm d e f
		760 330 4000 4 lm d e f

Total calculated on thickness 6/10

N.B. -Weight of package/pallet is subject to variation depending on the material tolerances described in the table.
- All technical data and specifications in the data sheet may be subject to change without notice