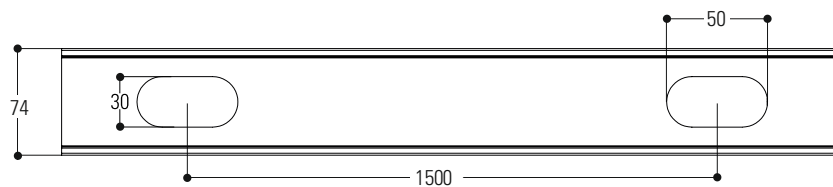
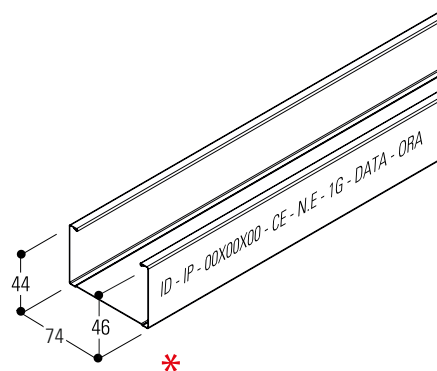
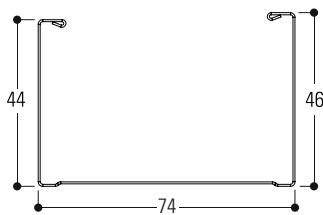


# UNI M74 Stud



## GENERAL DESCRIPTION

The profile, with a 'C' section, is mainly used as a stud mounted on the rails according to UNI and DIN regulations. It is suitable for internal and for the construction of false ceilings, false walls, linear walls and curved walls, with plasterboard.

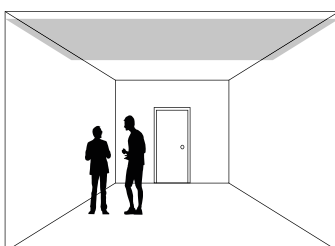
## MATERIAL USED

The profile is made of carbon steel type **DX51D Z100**, continuously hot-dip galvanized, with a yield strength of more than 300 N/mm<sup>2</sup> and defined by European standard EN 10346 with a zinc coating of 100 g/m<sup>2</sup> (higher weight on request).

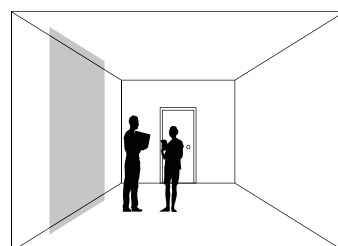
Additional coatings consist of:

- Zinc-aluminium type **DX51D+AZ**: this combination gives the profile excellent corrosion resistance, superior to that of galvanized steel profiles, making them suitable for both external and internal use.
- Zinc-magnesium type **DX51D+ZM**: This type of coating gives the profile an extraordinary degree of corrosion protection on the surface and is self-healing on the cut edges, making it suitable for even the harshest environments.

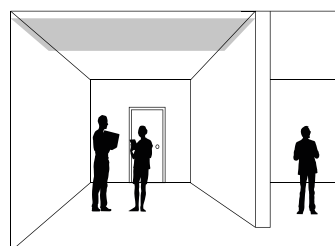
## REPRESENTATION



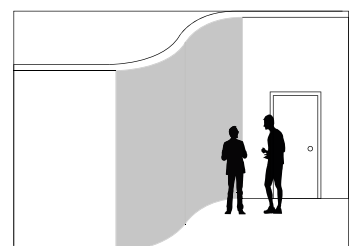
FALSE CEILING



FALSE WALL



FALSE CEILING  
WITH REDUCED WIDTH



CURVED WALL

## ADVANTAGES AND APPLICATIONS M74 STUD

---

The **M74** stud has a higher versatility and features that make it competitive in its sector, thanks to the 30x50 mm slots mounted at 1500 mm pitch that give the stud a fluid passage for cavities. It is ideal for constructing load-bearing frames to support single or double warp plasterboard walls with single or multiple claddings.

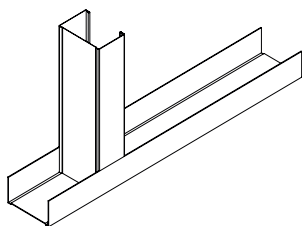
-Profile suitable for the application with **GV75**

-Profile suitable for the application with the **extension M74**

\***The information marked individually by ink on the side of each profile are:**

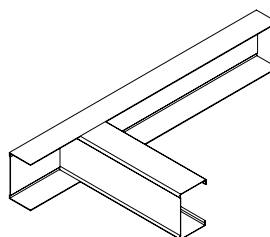
GUERRASIO ID - PRODUCT IDENTIFICATION - DIMENSIONS - CE REGULATION - EUROPEAN NORM - DATE - TIME

### FASTENING TO THE FLOOR



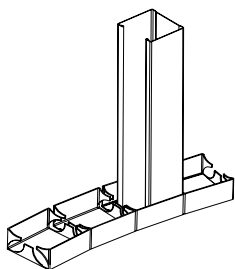
M74 with **GV75**

### FASTENING TO THE PERIMETER



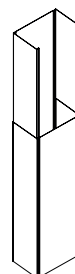
M74 with **GV75**

### FASTENING TO THE FLOOR



M74 with **GV75**

### FASTENING TO THE PERIMETER



M74 with **M74**

## NORMATIVE REFERENCES

---

- Construction product in accordance with Regulation (EU) 305/2011
- EC marking in accordance with EN 14195
- Sheet metal quality and coating grade in accordance with EN 10143 and EN 10346

## EC MARKING

---

The products listed in this catalogue are intended for use inside buildings. Each product is provided with a Declaration of Performance (DoP). Reaction to fire: class A1/Durability: class B (building components exposed to variable relative humidity up to 90% and variable temperatures up to 30°C but without corrosive contaminants, except class C5-M products).

## PRODUCT STORAGE

---

Store the packs in a covered areas with a relatively dry atmosphere and at a temperature as constant as possible, in order to avoid condensation which may reduce the state of passivation protecting the galvanised surface. If stored outdoors (not recommended), use a cover that provides perfect protection of the material against the weather (rain, fog, snow), taking care to place the packages at a slight angle. This cover must in any case be such as to allow adequate ventilation (not bringing the two surfaces into direct contact) so that moisture does not accumulate and create condensation.

## PACKAGING MATERIAL

---

The package is made with plastic strips. The pallet is made using plastic strips, wooden supports and laths. The packaging is suitably sized to facilitate handling in warehouses and on construction sites.

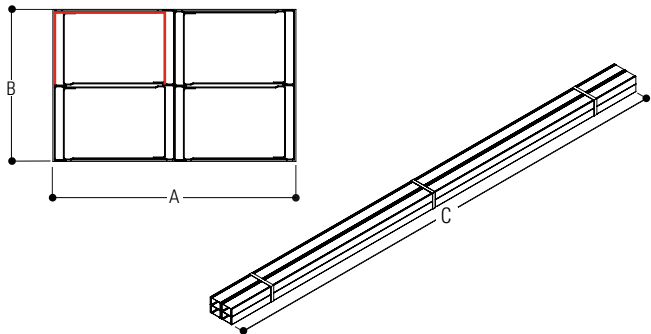
## TECHNICAL DATA

---

CHARACTERISTIC	REFERENCE NORM	VALUE	UNIT OF MEASUREMENT
Type	EN 14195	Metal structure	-
Reaction to fire	EN 14195-1A	1	-
Standard thickness	EN 10143	0,6-0,8	mm
Thickness tolerance	EN 10143	± 0,07	mm
Length	EN 14195	3000-4000	mm
Length tolerance	EN 14195	± 4	mm
Protective coating	EN 10346	5 ÷ 12	µm
Yield stress	EN 10143	335	N/mm <sup>2</sup>

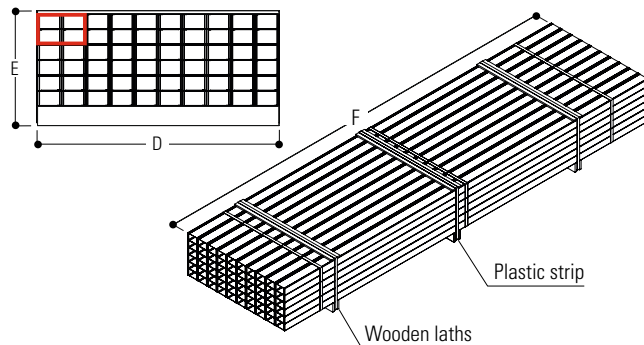
# PACKING AND PALLET SHEET

## PACKAGING



Profile weight	Kg/lm	0,840
	Kg/pc	2,520    3,360
Profile pieces	N°	8
Total per package	lm	24 <sup>3 lm</sup>
	Kg	20,16
	lm	32 <sup>4 lm</sup>
	Kg	26,88
Dimensions	mm	100   95   3000 <sup>3 lm</sup> a    b    c
		150   95   4000 <sup>4 lm</sup> a    b    c

## PALLET



Packages	Pcs	15
Total profiles	Pcs	120
Total per pallets	lm	360 <sup>3 lm</sup>
	Kg	302
	lm	480 <sup>4 lm</sup>
Dimensions	mm	800   360   3000 <sup>3 lm</sup> d    e    f
		800   360   4000 <sup>4 lm</sup> d    e    f

Total calculated on 6/10 thickness

**N.B.** -The weight of the package/pallet is subject to variation depending on the material tolerances described in the table.  
-All technical data and characteristics given in the data sheet are subject to change without notice.