

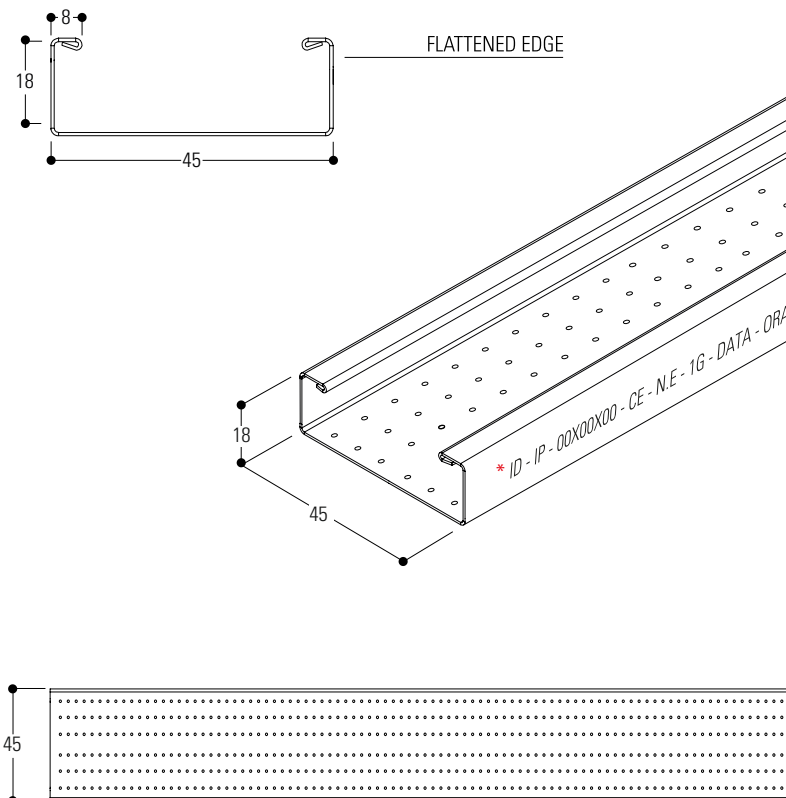
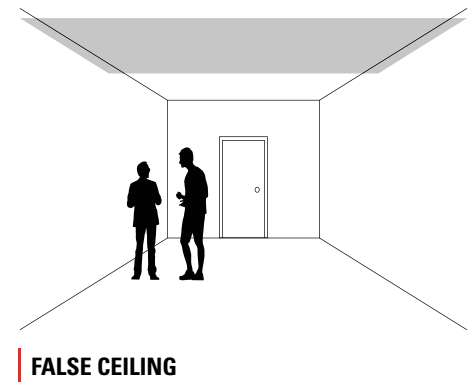
# SP 45/18

## Stud

### GENERAL DESCRIPTION

The profile, with a 'C' section and a flattened snap-in edge, is used for the construction of single or double-frame false ceilings with plasterboard cladding.

### REPRESENTATION



### MATERIAL USED

The profile is made of carbon steel type **DX51D Z100**, continuously hot-dip galvanised, having a yield strength greater than 300 N/mm<sup>2</sup> and defined by European standard EN 10346 with a zinc coating of 100 g/m<sup>2</sup> (higher grammage on request).

Additional coatings consist of:

- Zinc-aluminium type **DX51D+AZ**: this combination gives the profile excellent corrosion resistance, superior to that of galvanised steel profiles, making them suitable for both indoor and outdoor use.
- Zinc-magnesium type **DX51D+ZM**: This type of coating gives the profile an extraordinary degree of corrosion protection on the surface and is self-healing on the cut edges, making it suitable for even the harshest environments.

## ADVANTAGES AND APPLICATIONS OF THE SP 45/18 PROFILE

---

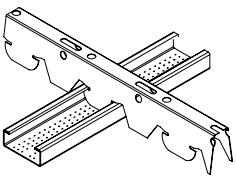
The **SP 45/18** snap-in profile has features that make it advantageous in its sector; it has a dots on the base of the profile that guarantees a precise and adaptable fastening.

- Profile suitable for application with **TSP45**
- Profile suitable for application with **extension SP 45/18**
- Profile suitable for application with **SPMR**

**\*The information marked individually in ink on the side of each profile are:**

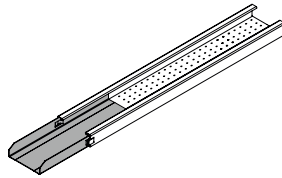
GUERRASIO ID - PRODUCT IDENTIFIER - DIMENSIONS - REGULATION CE - EUROPEAN STANDARD - DATE - TIME

### FIXING TO THE FLOOR



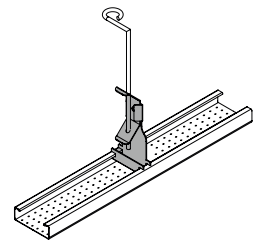
SP 45/18 with **TSP45**

### EXTENSION



SP 45/18 with **EXTENSION**

### SUSPENSION SPMR



SP45/18 with **SPMR**

## NORMATIVE REFERENCES

---

- Construction product according to Regulation (EU) 305/2011
- EC marking in accordance with EN 14195
- Sheet metal quality and cladding grade according to EN 10143 and EN 10346

## EC MARKING

---

The products listed in this catalogue are intended for indoor use. Each product is provided with a Declaration of Performance (DoP). Reaction to fire: class A1/Durability: class B (building components exposed to variable relative humidity up to 90% and variable temperatures up to 30°C but without corrosive contaminants, except class C5-M products).

## PRODUCT STORAGE

---

Store parcels in covered places with a relatively dry atmosphere and at a temperature as constant as possible in order to avoid condensation phenomena that may reduce the passivation state protecting the galvanised surface. In the case of outdoor storage (not recommended), use a cover that perfectly protects the material against the weather (rain, fog, snow), taking care to place the packages at a slight angle. This cover must in any case be such as to allow adequate ventilation (not putting the two surfaces in direct contact), so that moisture does not accumulate and create condensation.

## PACKAGING MATERIAL

---

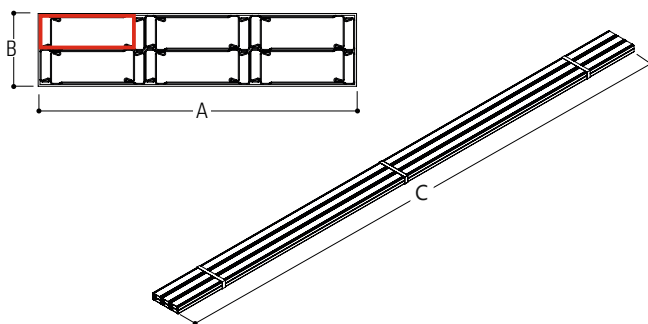
The packaging is made with plastic strapping. The pallet is made with plastic strapping, wooden support and laths. The packaging is suitably dimensioned to facilitate handling in warehouses and on construction sites

## TECHNICAL DATA

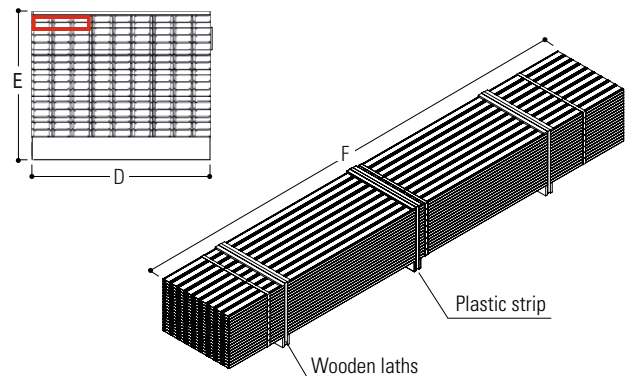
CHARACTERISTIC	REFERENCE NORM	VALUE	UNIT OF MEASUREMENT
Type	EN 14195	Metal structure	-
Reaction to fire	EN 14195-1A	1	-
Standard thickness	EN 10143	0,6 - 0,8	mm
Thickness tolerance	EN 10143	± 0,07	mm
Length	EN 14195	3000-4000	mm
Length tolerance	EN 14195	± 4	mm
Protective coating	EN 10346	5 ÷ 12	µm
Yield stress	EN 10143	340	N/mm <sup>2</sup>

## PACKAGE AND PALLET SHEET

### PACKAGING



### PALLET



Profile weight	Kg/lm	0,456
	Kg/pc	1,368      1,824
Profile pieces	N°	12
Total per package	lm	36
	Kg	16,41
	lm	48
	Kg	21,88
Dimensions	mm	135   36   3000
		135   36   4000

Packages	Pcs	27
Total profiles	Pcs	324
Total per pallets	lm	972
	Kg	443
	lm	1.296
Dimensions	mm	480   420   3000
		480   420   4000

Total calculated on thickness 6/10

**N.B.** -The weight of the package/pallet is subject to variation depending on the material tolerances described in the table.  
 -All technical data and characteristics given in the data sheet are subject to change without notice.