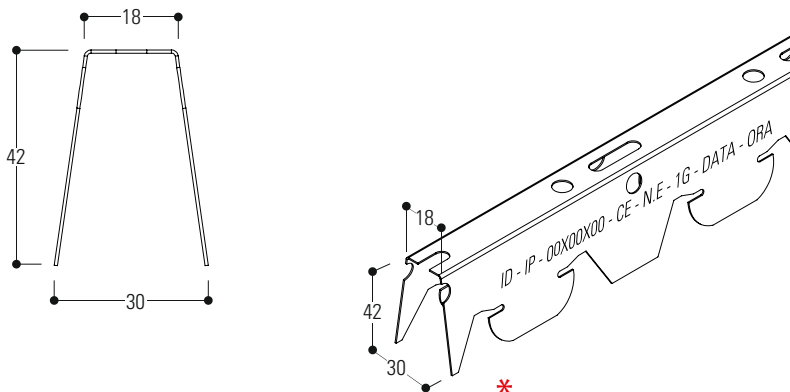


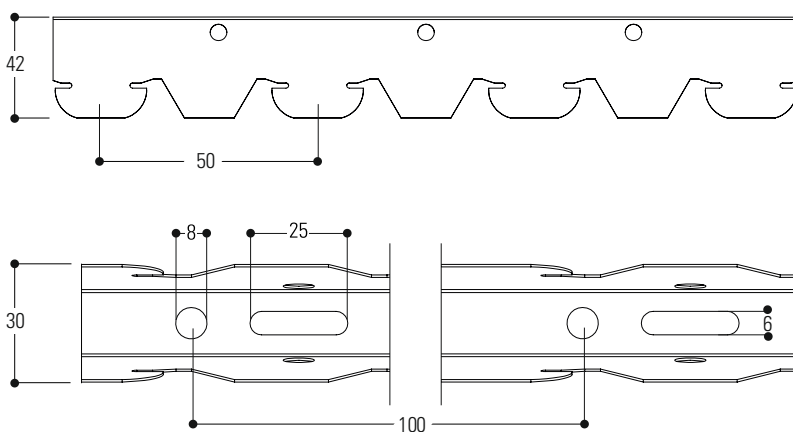
# TSP 45

## Carrier

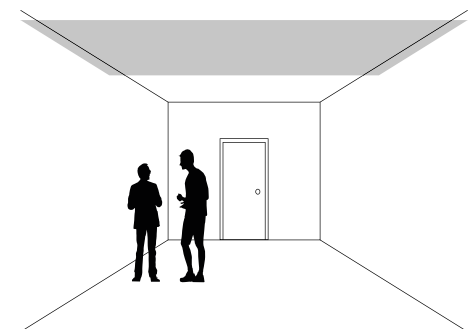


### GENERAL DESCRIPTION

The TSP snap-in carrier has a 'U' section and is suitable for 'C' profiles. Its geometry and grooves contribute to greater torsion resistance and increase its load-bearing capacity. Because of these characteristics, it is suitable for the construction of non-coplanar double-frame false ceilings with plasterboard cladding.



### REPRESENTATION



FALSE CEILING

### USED MATERIAL

The profile is made of carbon steel type **DX51D Z100**, continuously hot-dip galvanised, having a yield strength greater than 300 N/mm<sup>2</sup> and defined by European standard EN 10346 with a zinc coating of 100 g/m<sup>2</sup> (higher grammage on request).

Additional coatings consist of:

- Zinc-aluminium type **DX51D+AZ**: this combination gives the profile excellent corrosion resistance, superior to that of galvanised steel profiles, making them suitable for both indoor and outdoor use.
- Zinc-magnesium type **DX51D+ZM**: This type of coating gives the profile an extraordinary degree of corrosion protection on the surface and is self-healing on the cut edges, making it suitable for even the harshest environments.

## ADVANTAGES AND APPLICATIONS OF THE TSP 45 CARRIER

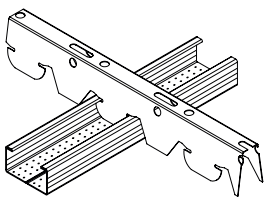
---

The **TSP 45** carrier has features that offer a quick and effective mounting system; it has 8 mm holes and 25X6 mm slots at 100 mm pitch on the surface of the profile for hooking the suspensions to the ceiling, guaranteeing precise and adaptable fixing.

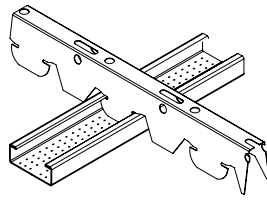
- Profile suitable for application **SP 45/27**
- Profile suitable for application **SP 45/18**
- Profile suitable for application with suspensions **MR** with **TFC04 - BF06 - slotted bar**

**\*The information marked individually by ink on the side of each profile are:**

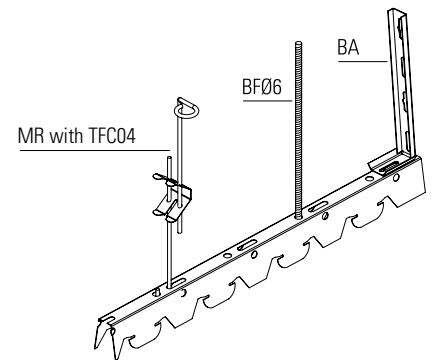
GUERRASIO ID - PRODUCT IDENTIFICATION - DIMENSIONS - CE REGULATION - EUROPEAN NORM - DATE - TIME



TSP45 with **SP 45/27**



TSP45 with **SP 45/18**



TSP45 with **Suspensions**

## NORMATIVE REFERENCES

---

- Construction product in accordance with Regulation (EU) 305/2011
- EC marking in accordance with EN 14195
- Sheet metal quality and coating grade in accordance with EN 10143 and EN 10346

## EC MARKING

---

The products listed in this catalogue are intended for use inside buildings. Each product is provided with a Declaration of Performance (DoP). Reaction to fire: class A1/Durability: class B (building components exposed to variable relative humidity up to 90% and variable temperatures up to 30°C but without corrosive contaminants, except class C5-M products).

## PRODUCT STORAGE

---

Store the packs in a covered areas with a relatively dry atmosphere and at a temperature as constant as possible, in order to avoid condensation which may reduce the state of passivation protecting the galvanised surface. If stored outdoors (not recommended), use a cover that provides perfect protection of the material against the weather (rain, fog, snow), taking care to place the packages at a slight angle. This cover must in any case be such as to allow adequate ventilation (not bringing the two surfaces into direct contact) so that moisture does not accumulate and create condensation.

## PACKAGING MATERIAL

---

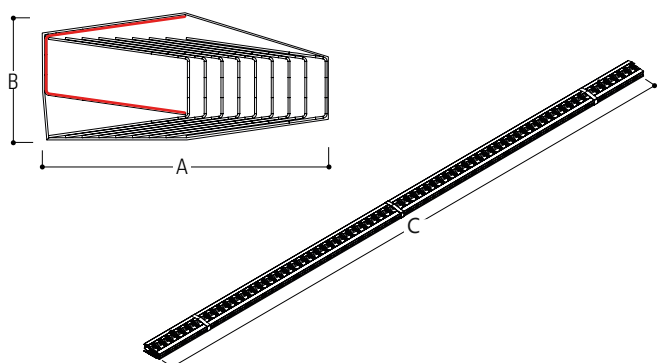
The package is made with plastic strips. The pallet is made using plastic strips, wooden supports and laths. The packaging is suitably sized to facilitate handling in warehouses and on construction sites.

## TECHNICAL DATA

CHARACTERISTIC	REFERENCE NORM	VALUE	UNIT OF MEASUREMENT
Type	EN 14195	Metal structure	-
Reaction to fire	EN 14195-1A	1	-
Standard thickness	EN 10143	0,6 - 0,8	mm
Thickness tolerance	EN 10143	± 0,07	mm
Length	EN 14195	4000	mm
Length tolerance	EN 14195	± 4	mm
Protective coating	EN 10346	5 ÷ 12	µm
Yield stress	EN 10143	340	N/mm <sup>2</sup>

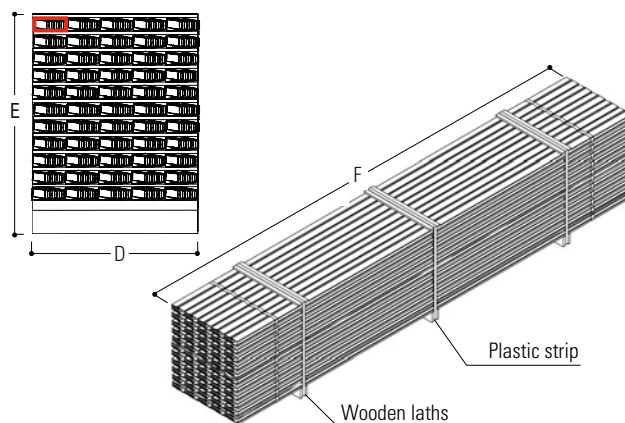
## PACKING AND PALLET SHEET

### PACKAGING



Profile weight	Kg/lm	0,560	
	Kg/pc	2,240	4 lm
Profile pieces	N°	10	
Total per package	lm	40	4 lm
	Kg	22,40	
Dimensions	mm	80	4000
		35	
		a	b
		c	

### PALLET



Packages	Pcs	60	
Total profiles	Pcs	600	
Total per pallets	lm	2400	4 lm
	Kg	1344	
Dimensions	mm	550	4000
		550	
		d	e
		f	

Total calculated on thickness 7/10

**N.B.** -Weight of package/pallet is subject to variation depending on the material tolerances described in the table.

- All technical data and specifications in the data sheet may be subject to change without notice