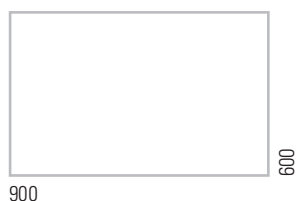
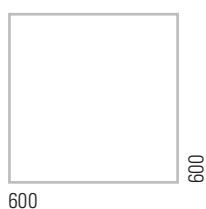
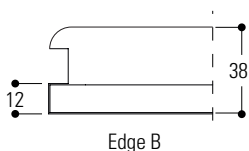
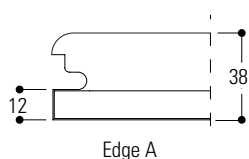


# VERT BOX



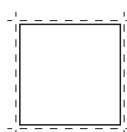
## DESCRIPTION

Vert Box is a modular ceiling tile with a dark effect that allows the recovery of the old fibre ceiling. The panel is characterised by a 90° edge, is easy to install and can be accessed at any point. It can be made of aluminium or steel, with a smooth or perforated finish. The harmony of the false ceiling is achieved by using the Vert Box Light Led lighting fixture and the plenum box integrated in the false ceiling.

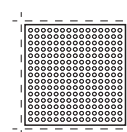
## TECHNICAL CHARACTERISTICS

European standard:	CE - EN 13964
Durability:	Class B
Fire resistance:	A1
Sound absorption:	EN ISO 354
Standard colour:	Prepainted White - Silver - Mirror Aluminium Post-painted RAL folder - NCS - Sublimated
Standard material:	Aluminium (Alloy 3000H46) Galvanised steel (DX51DZ)
Standard thickness:	0,4 - 0,5 - 0,6 mm
Standard modules:	600x600 mm 90° edge 600x900 mm 90° edge 600x1200 mm 90° edge
Average system weight:	4-5 kg/mq

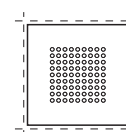
## FINISH



Smooth panel



10 mm perforated panel with smooth edge

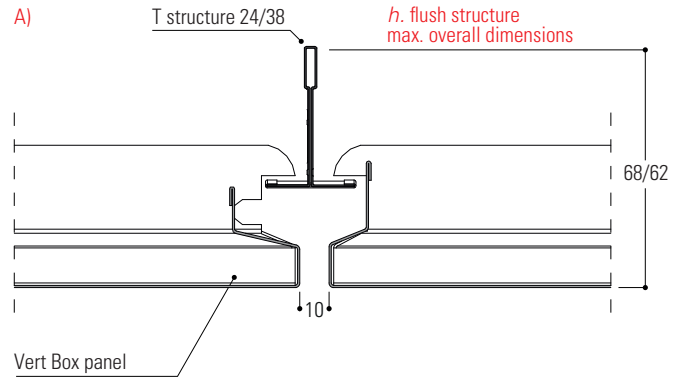


100 mm perforated panel with smooth edge

# ADVANTAGES AND APPLICATIONS

## DESCRIPTION

Modular false ceiling type VERT-BOX in a coplanar, double-layer construction, with a darkening effect, which can be inspected at intervals. The false ceiling is composed of a metal panel and a substructure forming a square/rectangular grid that is suspended from the soffit. The characteristic of this system is the 10 mm gap created between one panel and the next, giving depth to the entire ceiling. Thanks to the many varieties of accessories that can be integrated into the system (see illustrations below), the Vert Box system guarantees extensive customisation.

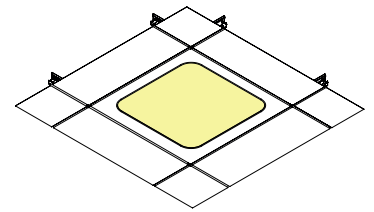
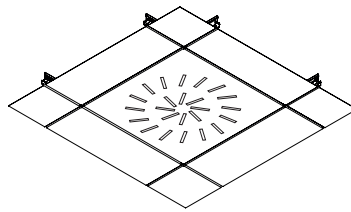
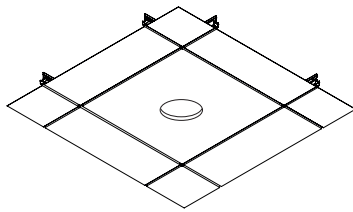
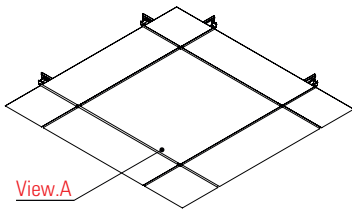


Standard system

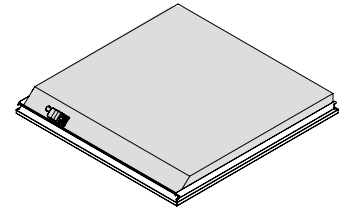
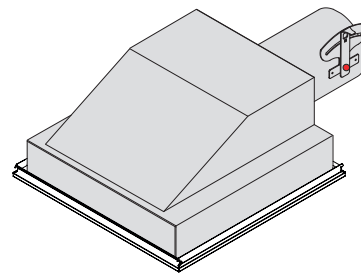
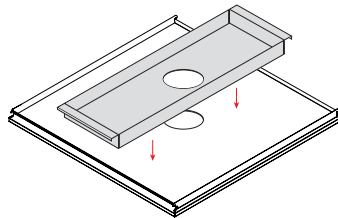
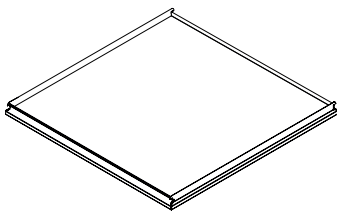
SSystem with reinforcement panel and spotlight hole

System with plenum

System with ceiling light



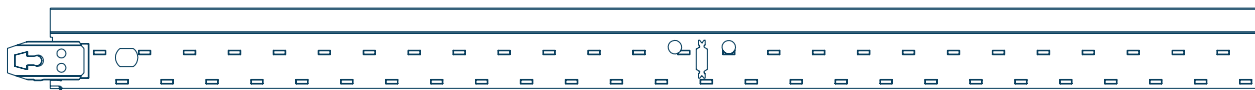
View.A



## SUITABLE PROFILES

### FRECCIA

overlapping profile with 'riportato' hook



### X SEISMIC

overlapping profile with anti-seismic hook shown



### CLASSIC LINE

overlapping profile with 'ricavato' hook

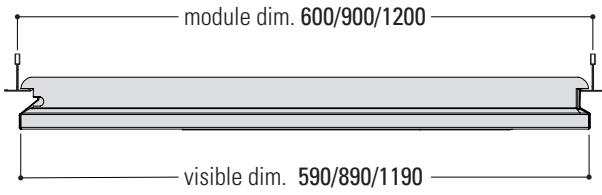


### BAIONETTA

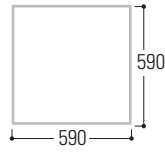
overlapping profile with 'ricavato' hook



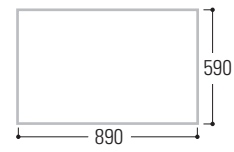
# MODULES AND DIMENSIONS



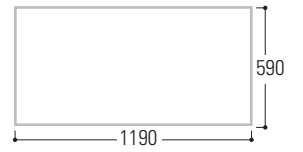
module 600x600



module 600x900



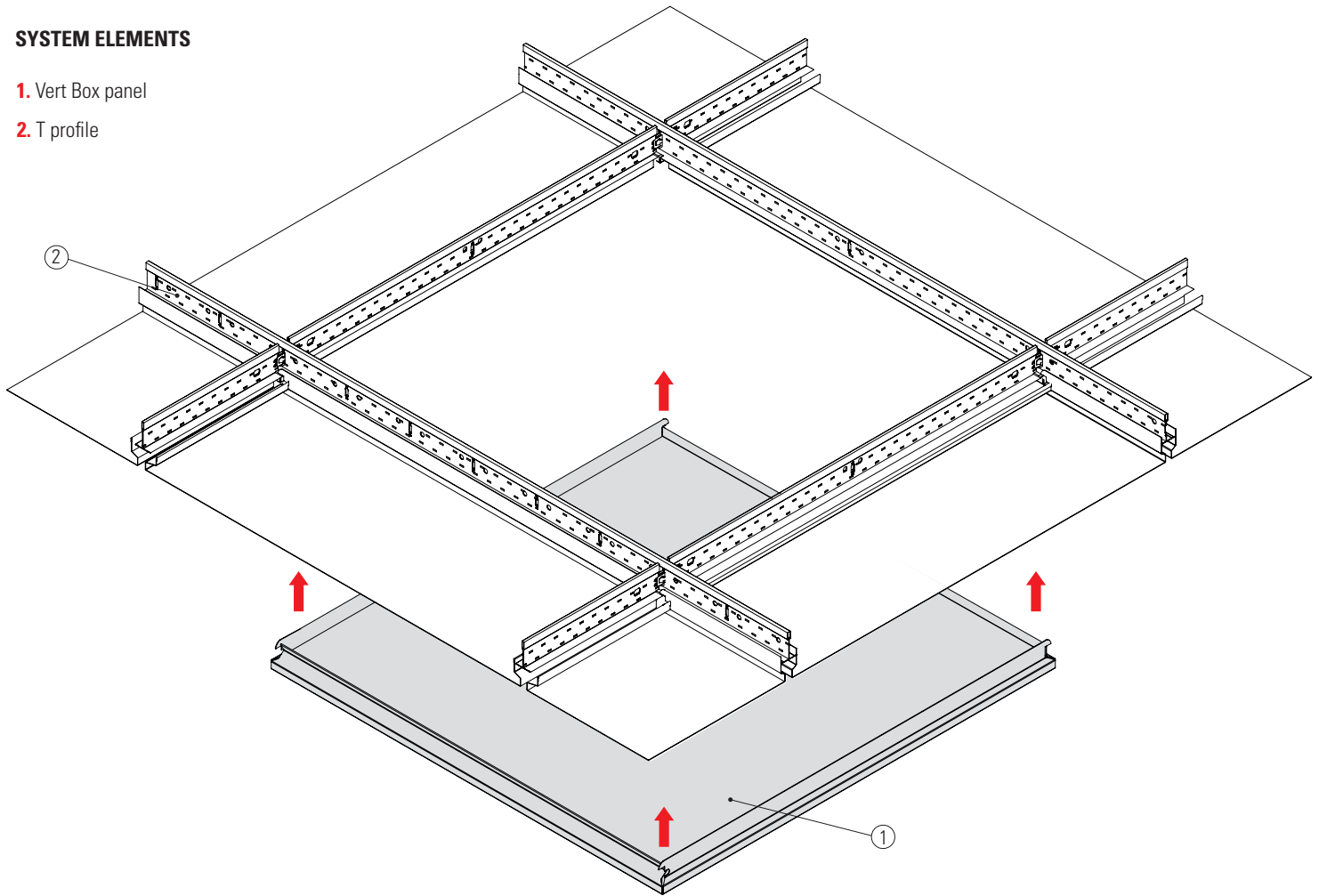
module 600x1200



# MOUNTING

## SYSTEM ELEMENTS

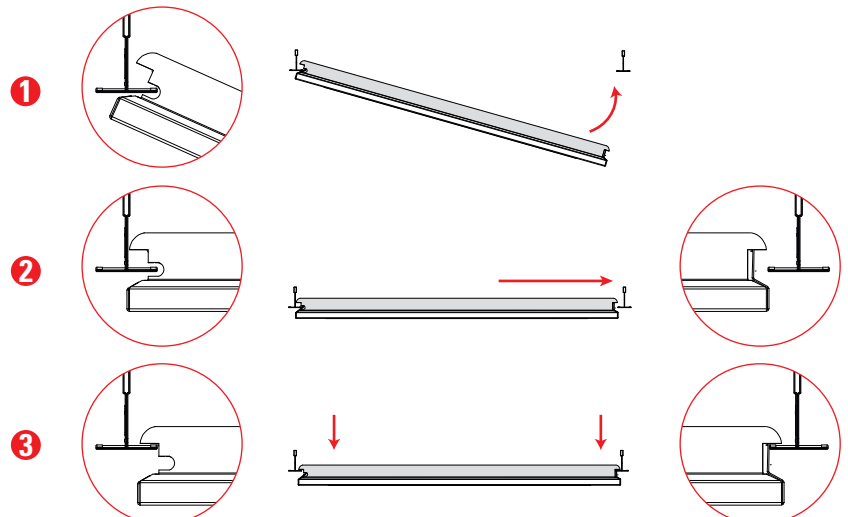
- 1. Vert Box panel
- 2. T profile



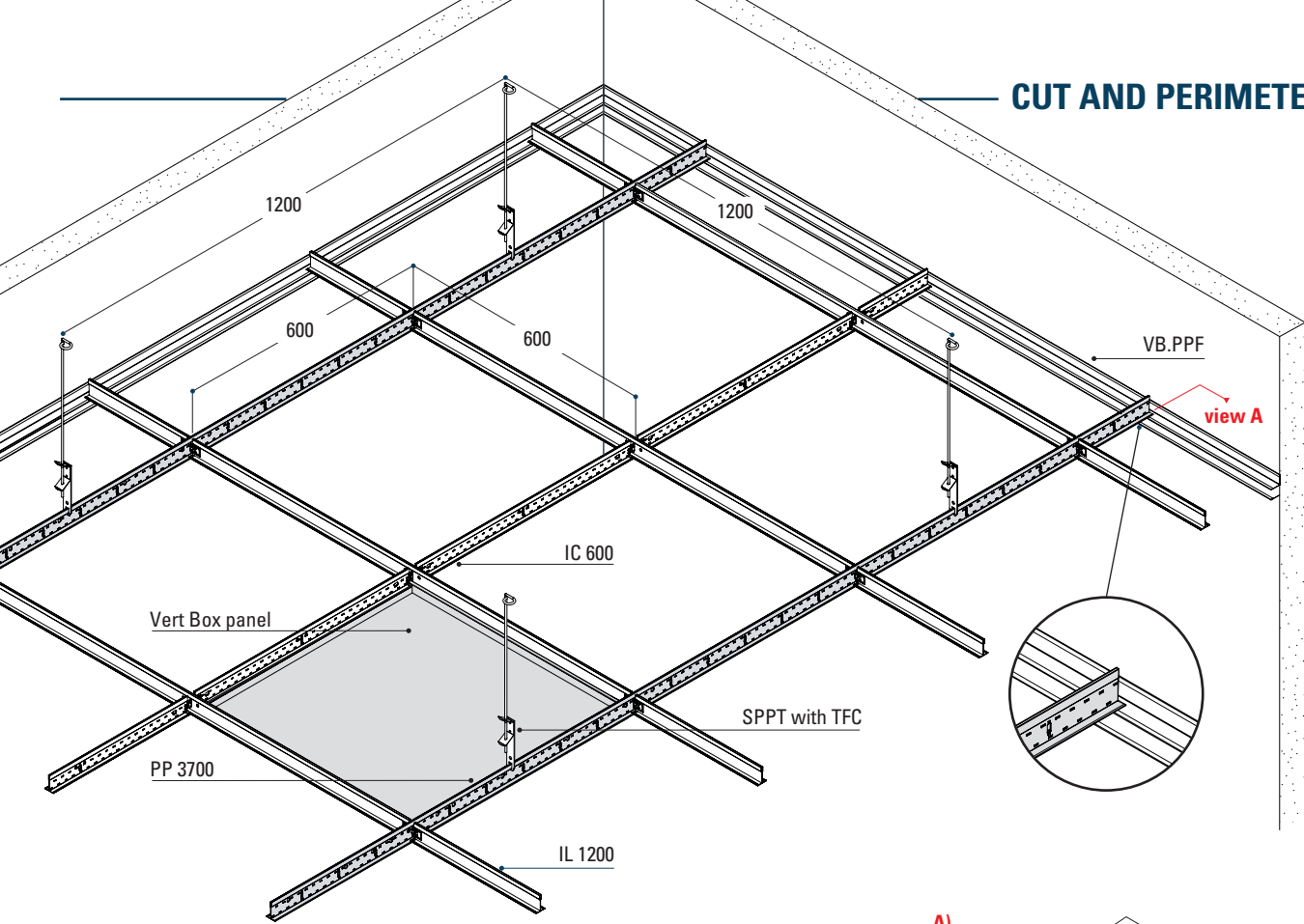
## ASSEMBLY DESCRIPTION

Vertbox assembly takes place in a few simple steps

1. Insert the panel obliquely.
2. Bring the panel up to level with the structure.
3. Position both hooks at the four corners of the panel at the structure and bring them into position.

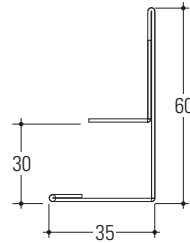


## CUT AND PERIMETER PANELS

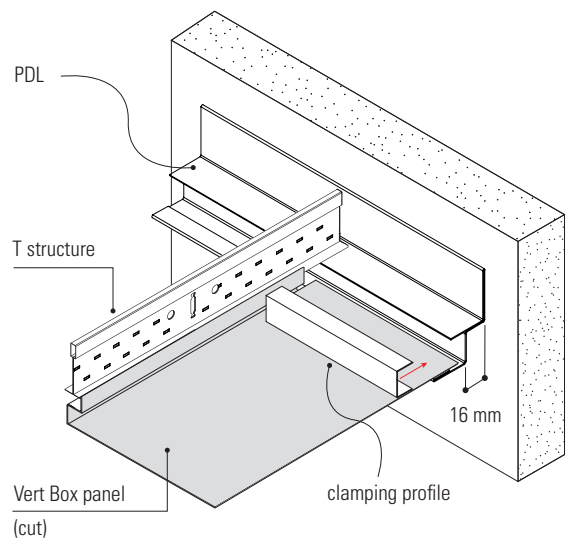
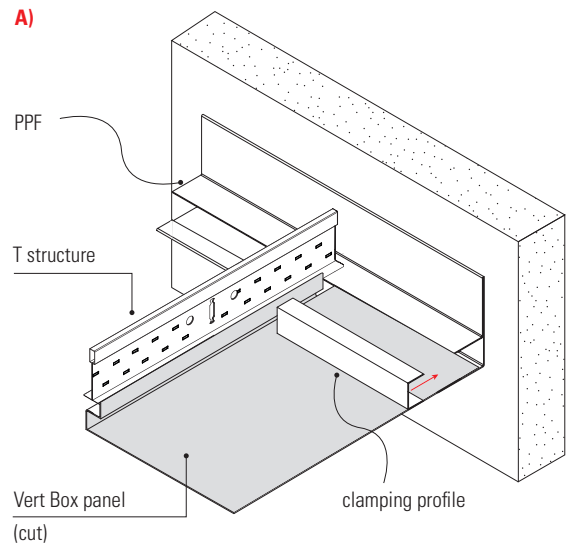
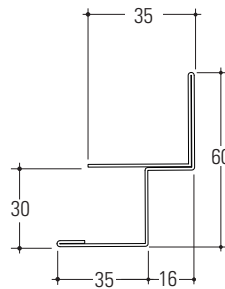


see page 9 for suitable suspensions for this system

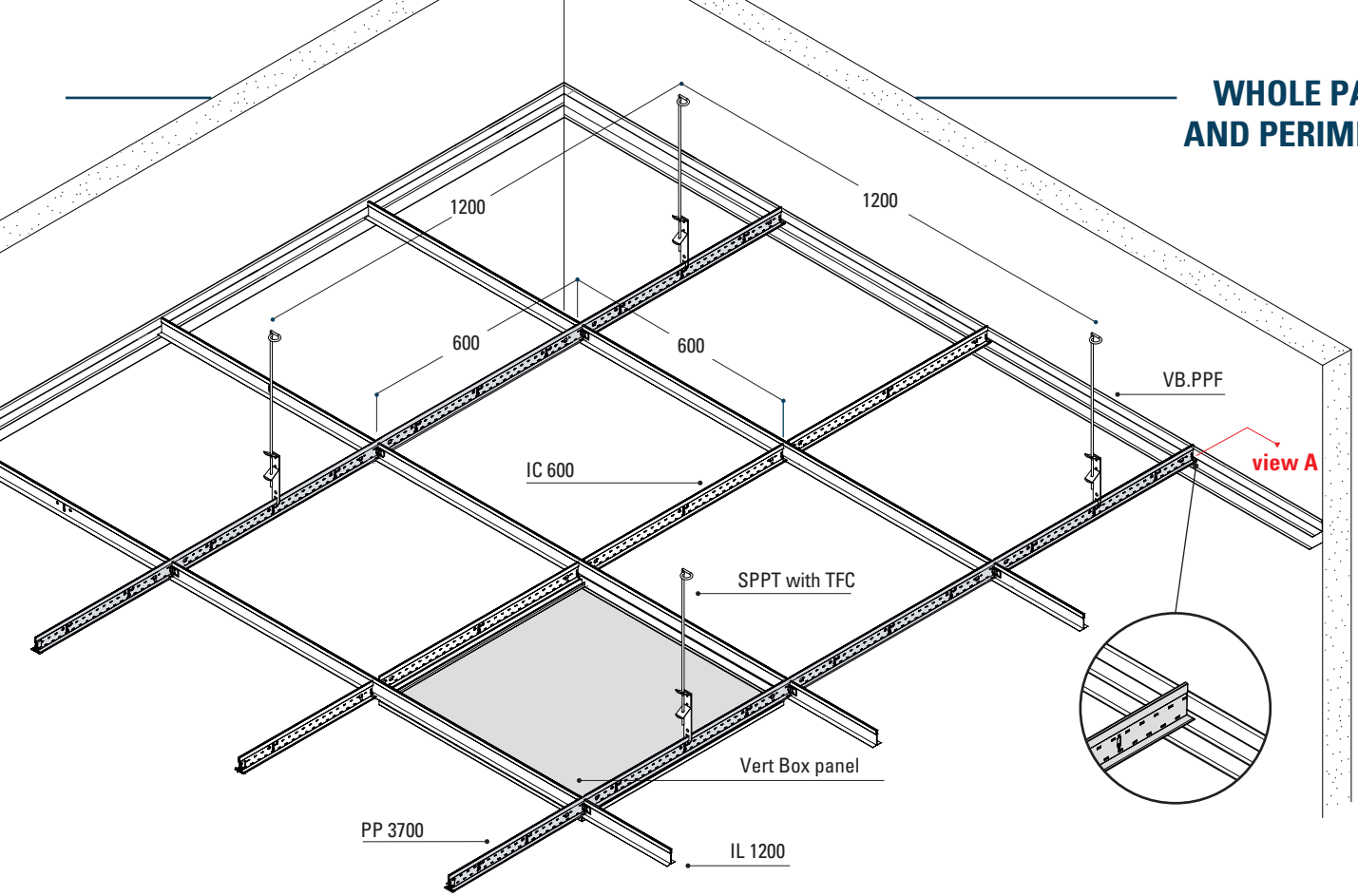
**VB.PPF** is an 'F'-shaped perimeter suitable for application with Vert Box-type panels. It is suitable for both intact and cut panels. The proposed solution involves a perimeter fixed to the wall and a C-shaped profile that creates pressure in the case of cut panels to ensure coplanarity.



The **VB.PDL** not only performs the function of a perimeter profile, but also features the possibility of creating shutters due to its stepped shape. The shutter will have a depth of 16 mm from the wall. The proposed solution involves a perimeter fixed to the wall and a C-shaped profile that creates pressure when the panel is cut to ensure coplanarity.

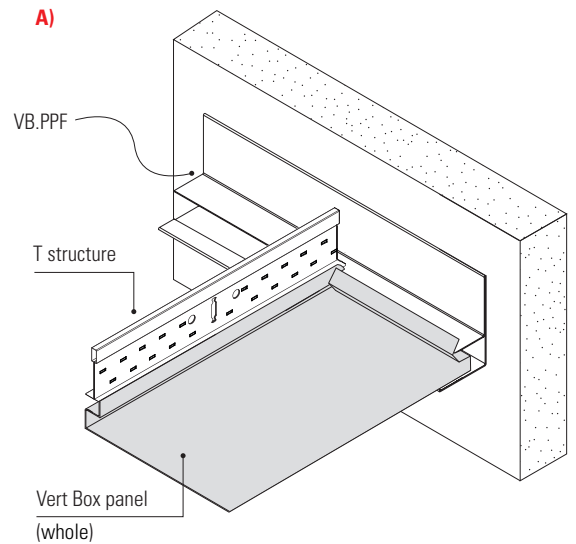
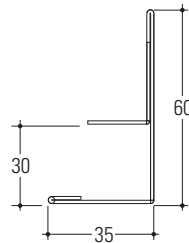


# WHOLE PANELS AND PERIMETERS

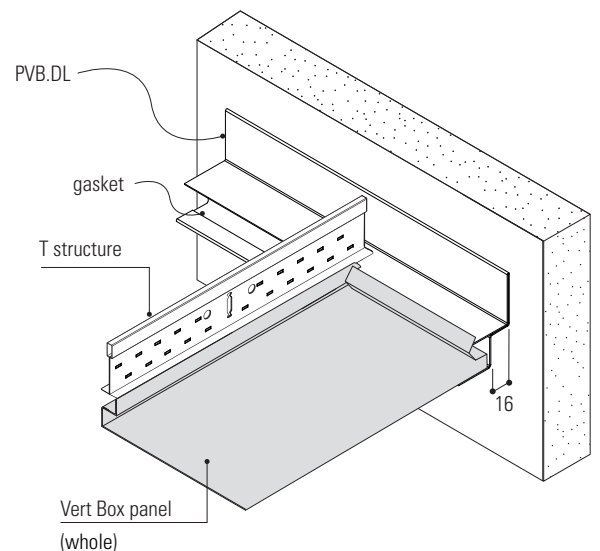
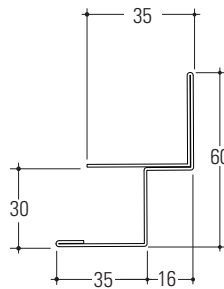


see page 9 for suitable suspensions for this system

**PPF** is an F-shaped perimeter suitable for application with Vert Box-type panels. It is suitable for use with either intact or cut panels. The proposed solution envisages a perimeter fixed to the wall and the Vert Box panel fully supported on both the profile and the structure.

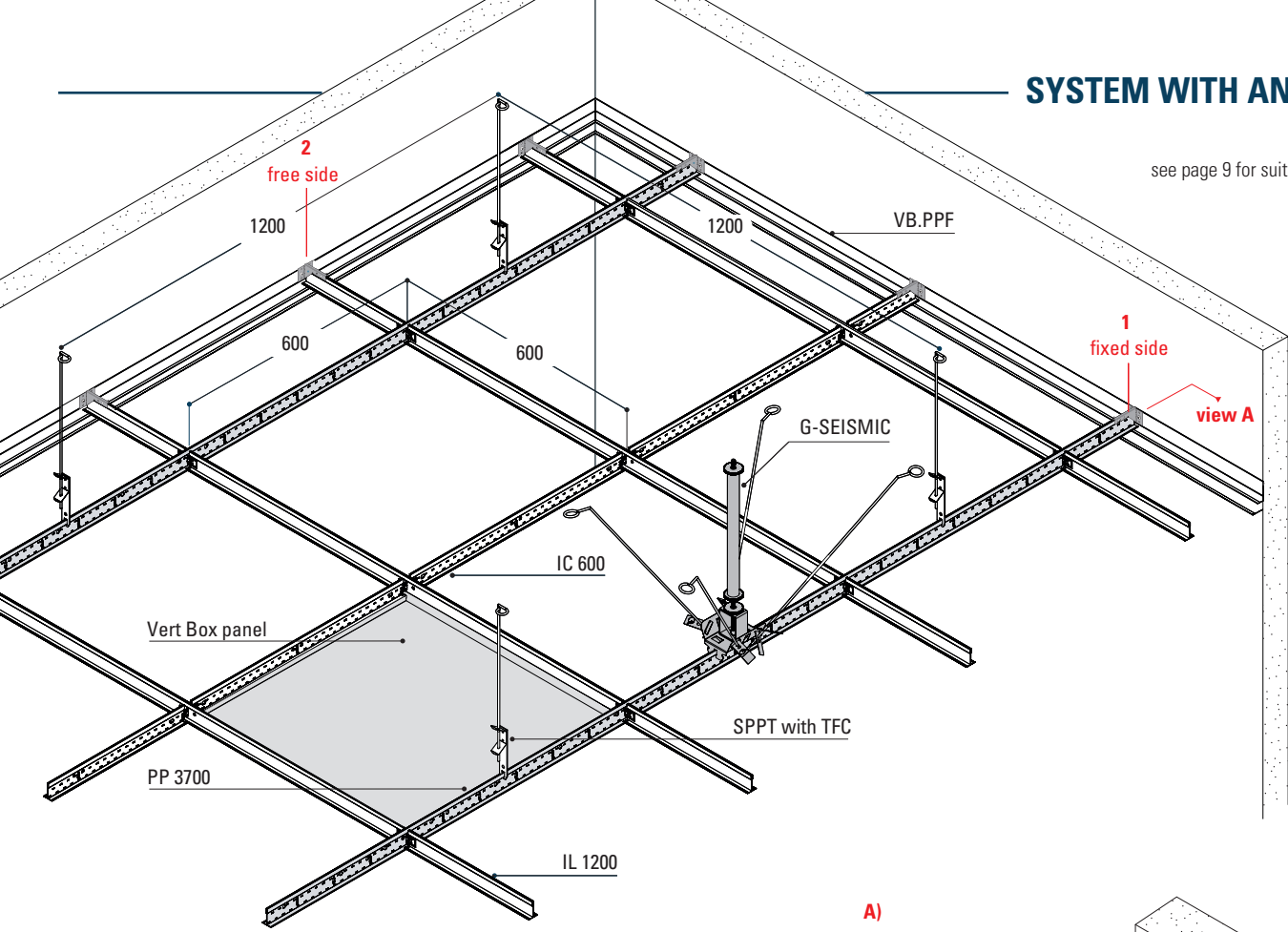


The **PDL**, in addition to acting as a perimeter profile, has as a feature the possibility of creating shutters due to its stepped shape. The shutter will have a depth of 16 mm from the wall. The proposed solution involves a perimeter fixed to the wall and the Vert Box panel resting entirely on both the profile and the frame.

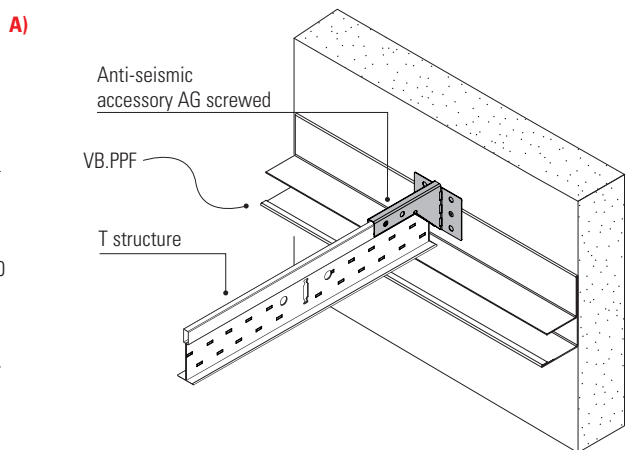
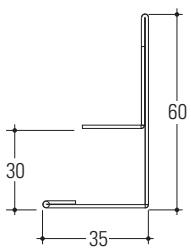


# SYSTEM WITH ANTI-SEISMIC

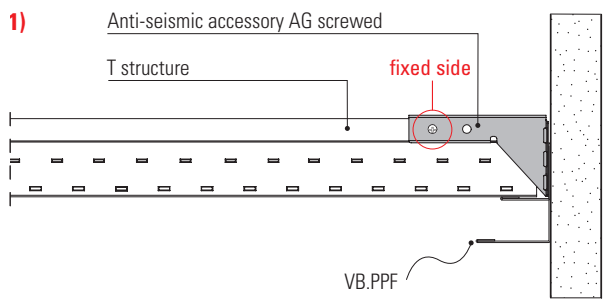
see page 9 for suitable suspensions for this system



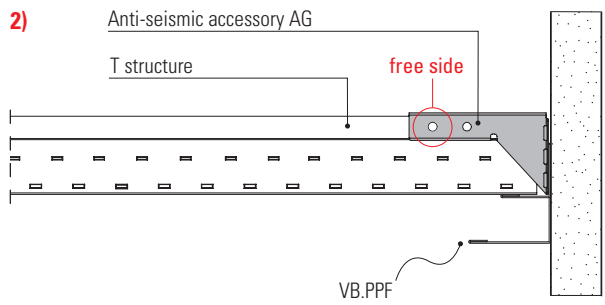
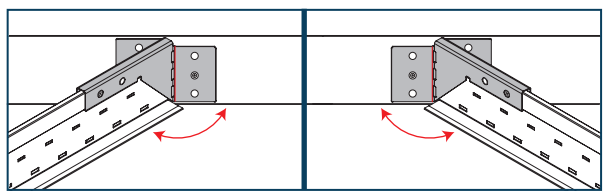
The **VB.PPF** is an F-shaped perimeter panel suitable for application with Vert Box-type panels. Its use is suitable for both panels left whole or cut. The proposed solution provides for the PPF mounted on the wall with the AG earthquake-proof accessory, fixed with screws on the upper part of the perimeter and on the T-frame.



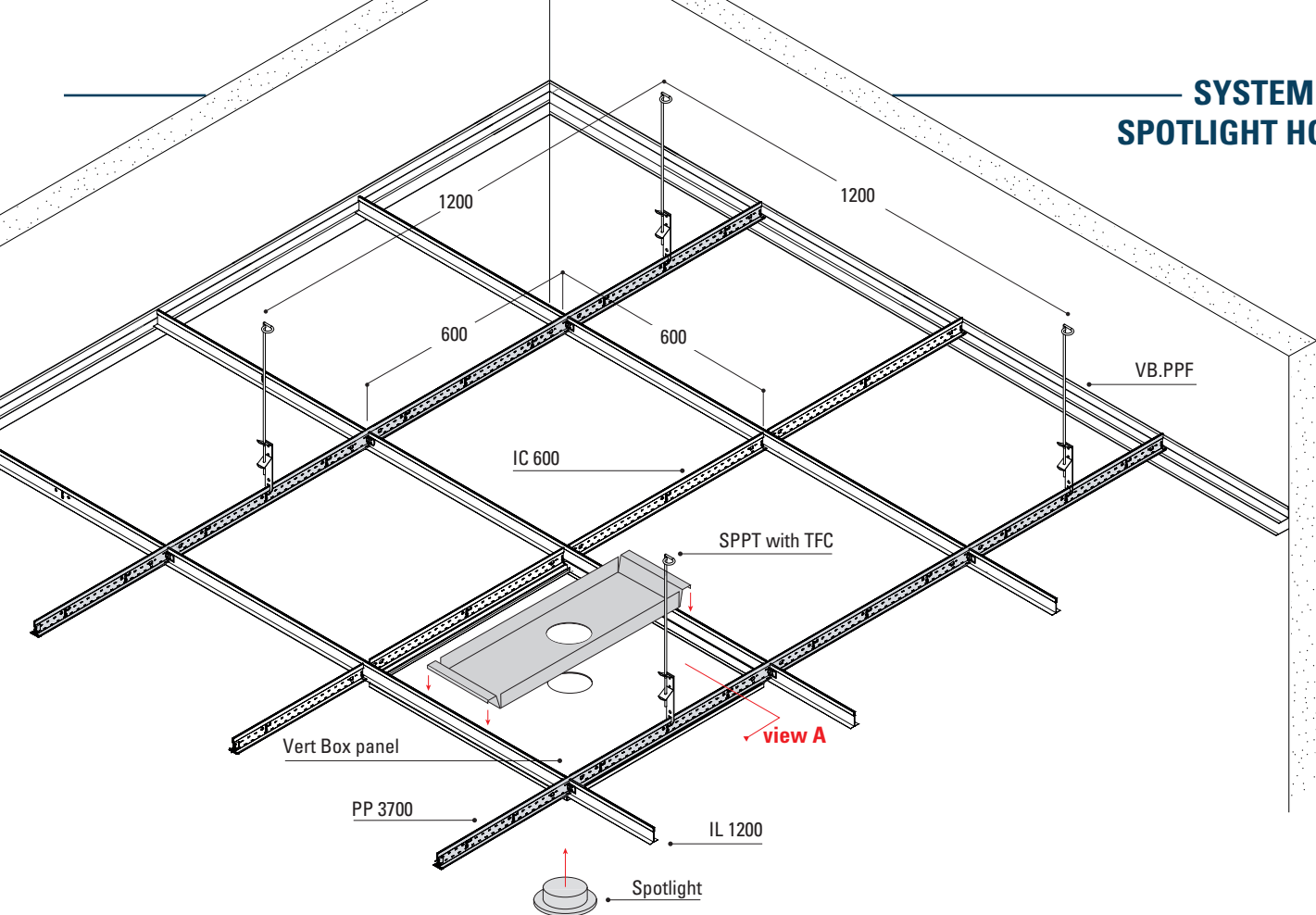
On the perimeter profiles, in order to create an additional constraint to the seismic action, two variants are applied on opposite sides through the use of the AG accessory. On one side (1), the structure is constrained to the wall, preventing any movement by screwing the AG accessory to the perimeter profile and the structure; on the other side (2), the structure in the event of seismic action, is freed from the AG accessory but still constrained in the direction and without being able to make rotational movements.



The **anti-seismic accessory** has the possibility, once mounted on the profile, of adjusting the angle to suit every need.



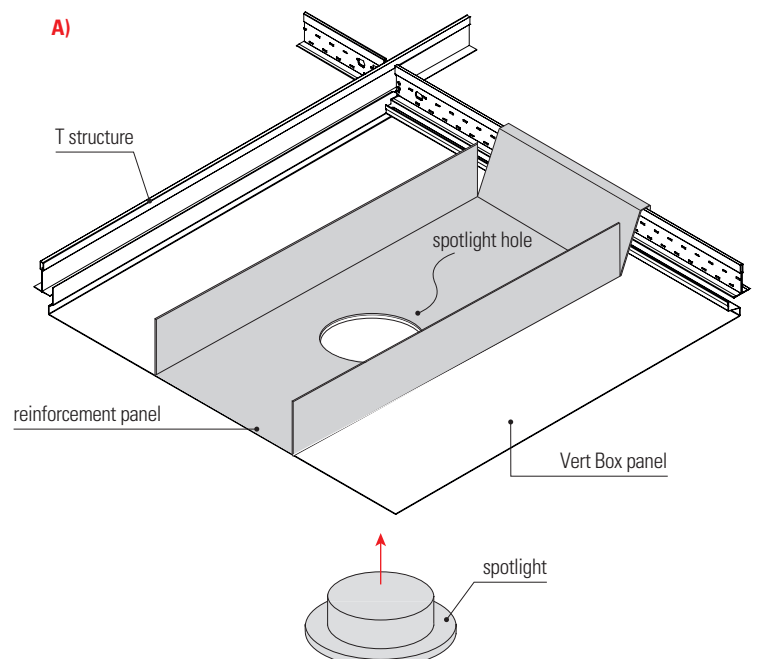
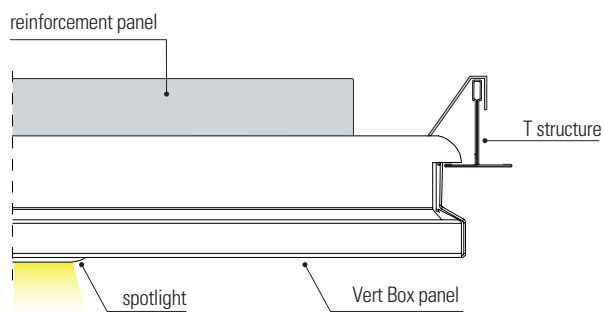
## SYSTEM WITH SPOTLIGHT HOLDER



### INSTALLATION DESCRIPTION

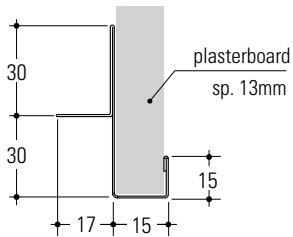
The luminaire is accompanied by a reinforcement panel at the time of installation to ensure a better tightness, making installation simple and intuitive. The spotlight will discharge its full weight onto the reinforcement panel so that no bulges are created on the Vert Box panel. The reinforcement

panel with its ends will be positioned above the Vert Box panel by hooking into the sides of the 'T' structure. The last step is to install the spotlight and connect it to the power supply.

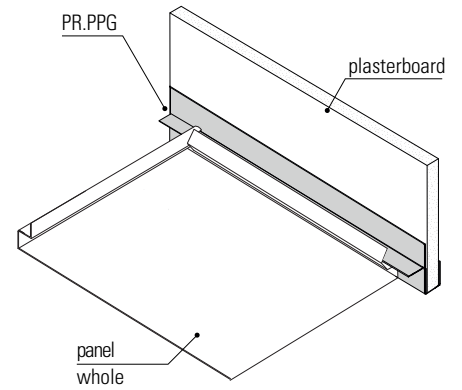


# CONNECTION PROFILES

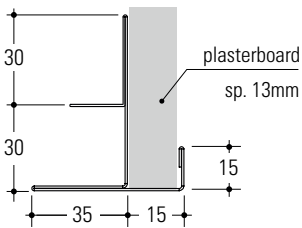
## PR.PPG



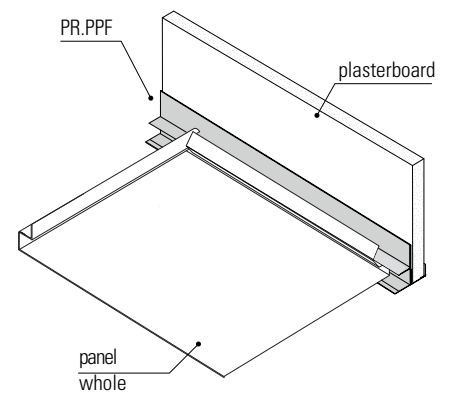
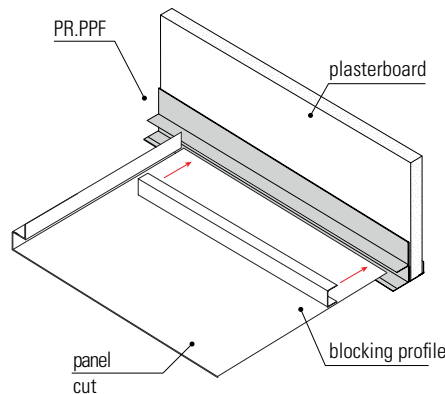
Connecting profile 'PR.PPG' for vertical ceiling tile and type ceiling, suitable for installation with Vert Box type system. The profile allows perfect integration with the entire panel. The adjacent illustration shows the application of the "PR.PPG" profile on a plasterboard panel (13mm thick) and the Vert Box panel in place.



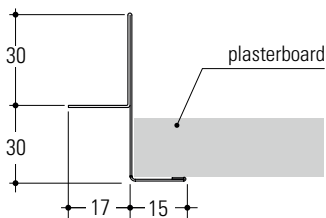
## PR.PPF



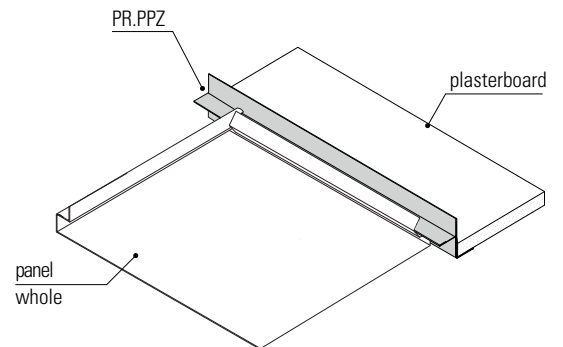
PR.PPF" connection profile for vertical soffit and false ceiling, suitable for installation with VertBox type system. The profile allows perfect integration with cut or full panel. The adjacent illustration shows the application of the "PR.PPF" profile on a plasterboard panel (13mm thick) and the Vert Box panel in place. In the case of cut panel, a blocking "C" profile is added to ensure coplanarity.



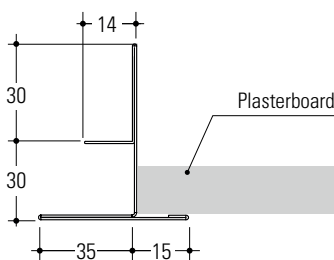
## PR.PPZ



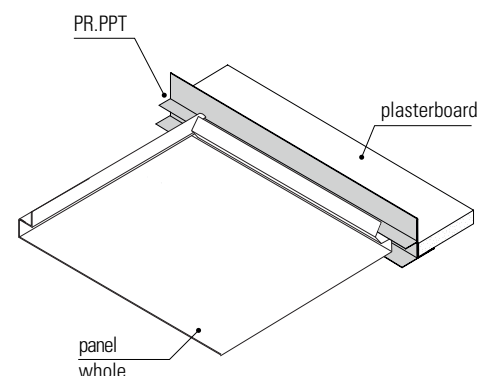
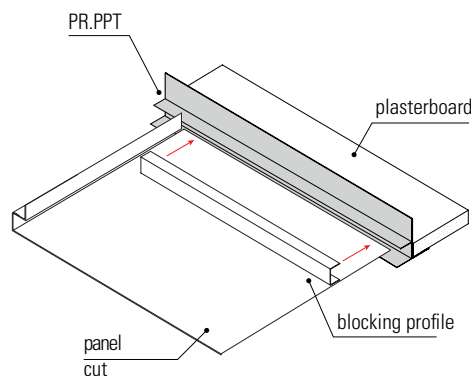
Connecting profile "PR.PPZ" for horizontal compensation and false ceiling, suitable for installation with VertBox type system. The profile allows perfect integration with full panel. The adjacent illustration shows the application of the "PR.PPZ" profile on a plasterboard panel and the Vert Box panel in place.



## PR.PPT



"PR.PPT" connection profile for horizontal compensation and false ceiling, suitable for installation with VertBox type system. The profile allows perfect integration with cut or full panel. The adjacent illustration shows the application of the "PR.PPT" profile on a plasterboard panel and the Vert Box panel in place. In the case of a cut panel, a blocking "C" profile is added to ensure coplanarity.

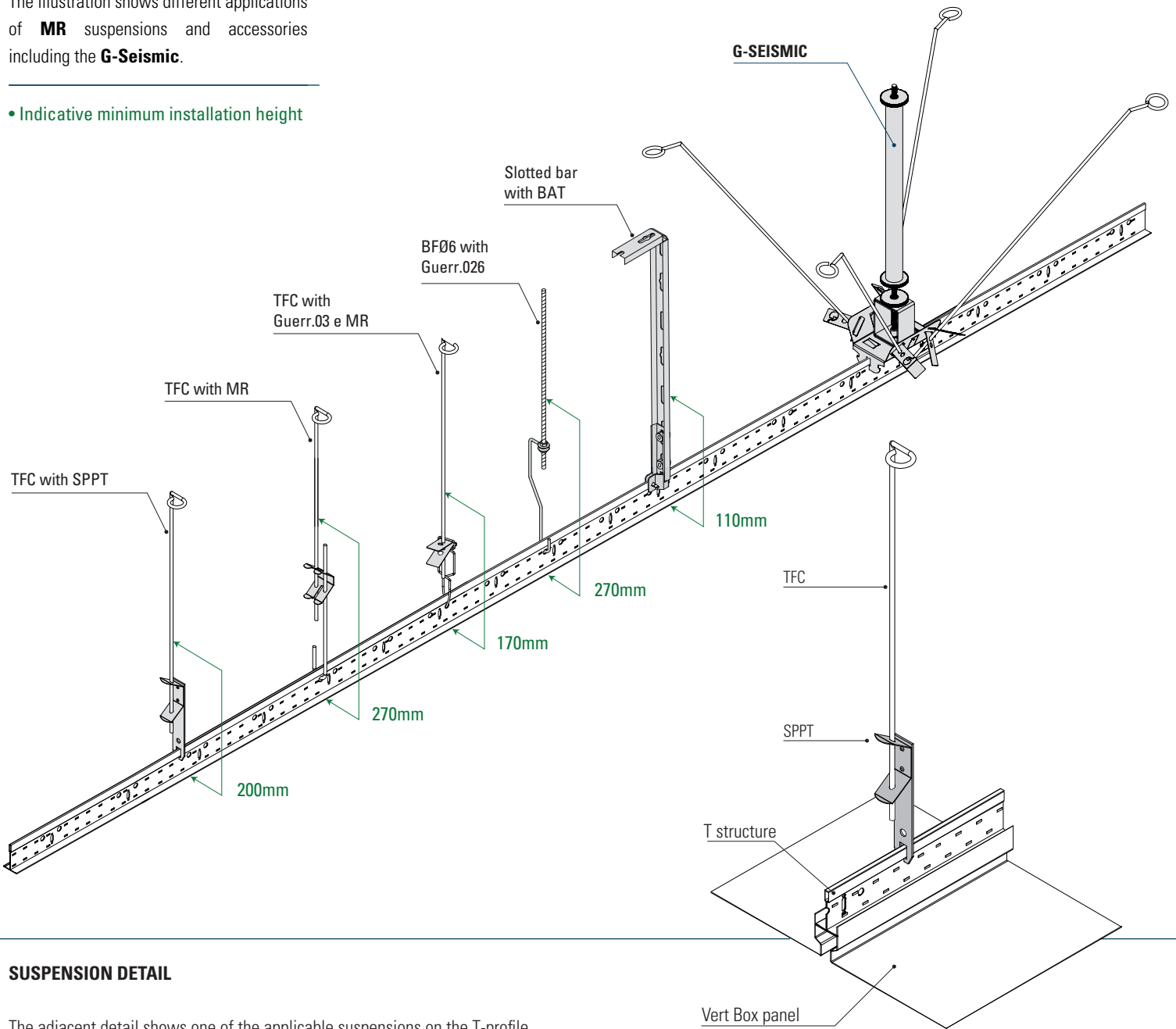




# APPLICATION OF ACCESSORIES AND SUSPENSIONS

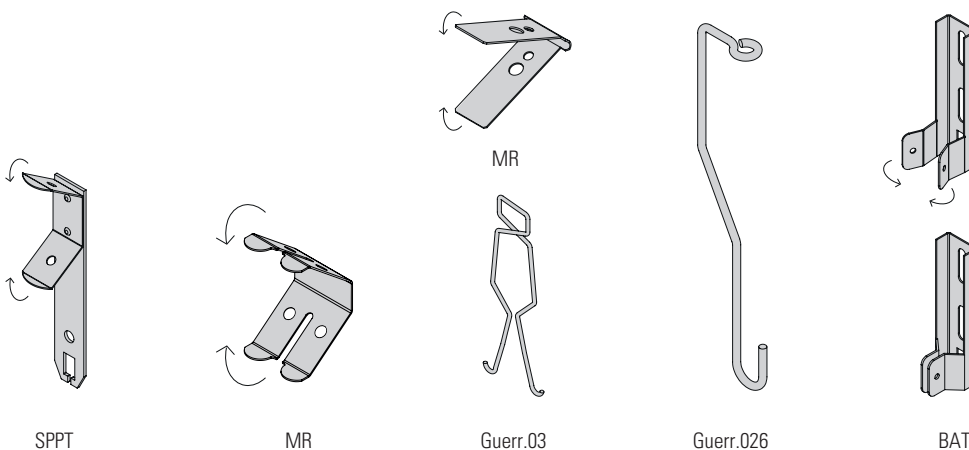
The illustration shows different applications of **MR** suspensions and accessories including the **G-Seismic**.

- Indicative minimum installation height



## SUSPENSION DETAIL

The adjacent detail shows one of the applicable suspensions on the T-profile. In addition, the other suspensions applicable on the "T" structure are shown in detail and in their constructional functions in the depictions below



## DESCRIPTION OF SUSPENSIONS

The "T" structure has the possibility of having several types of suspension, each of which has its own characteristics that make it suitable, effective and safe to suspend the structure with each type of ceiling. The assembly of the suspensions is simple and intuitive and guarantees practicality when setting up the structure.

## NORMATIVE REFERENCES

---

- Construction product according to Regulation (EU) 305/2011
- CE marking in accordance with EN 13964
- Sheet metal quality and cladding grade in accordance with EN 10143 and EN 10346

## CE MARKING

---

The product indicated in this data sheet is intended for use inside buildings. It is provided with a Declaration of Performance (DoP). Reaction to fire: class A1/Durability: class B (Building components exposed to variable relative humidity up to 90% and temperatures up to 30°C but without corrosive agents, except class C5-M products).

## LEED PROTOCOL

---

This certification is establishing itself as the new world standard for environmentally friendly construction and promotes a sustainability-oriented approach. Evaluation on integrated process, optimisation of energy performance, construction and demolition waste management planning, interior lighting and acoustic performance.

## PRODUCT STORAGE

---

Store parcels in covered places with a relatively dry atmosphere and at a temperature as constant as possible to avoid condensation phenomena that can reduce the passivation state protecting the galvanised surface. In the event of external storage (not recommended), use a cover that ensures perfectly protect the material against the weather (rain, fog, snow), taking care to place the packages slightly inclined. This cover must in any case be such as to allow adequate ventilation (not putting the two surfaces in direct contact), so that moisture does not accumulate and create condensation.

## PACKAGING MATERIAL

---

The packaging is made of cardboard with plastic bags inside containing the panels, all sealed with tape on the outside. The pallet is made of plastic strapping and a wooden wall. The packaging is suitably sized to facilitate handling in warehouses and on construction sites.

## WARNINGS

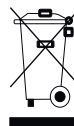
---

### Important warnings

- Please read the following warnings carefully as they are important instructions for safe installation, use and maintenance.
- After removing the product from its packaging, make sure that it is intact, otherwise contact the seller.
- Packaging elements (plastic bags etc.) must not be left within reach of children as they are potential sources of danger.
- Failure to comply with the above may compromise the safety of the product.
- The manufacturer cannot be held liable for any damage resulting from improper, incorrect and unreasonable use.
- ed irragionevoli.

### Avvertenze importanti

- The product must not be subject to modification; any modification voids the warranty and may render the product dangerous.
- Antonio Guerrasio s.r.l. shall not be held liable for any damage caused by its products not being assembled in accordance with the instructions.
- The products must be installed in a workmanlike manner.
- The product is also intended to be installed on normally flammable surfaces.



### Recycling

the crossed-out bin serves as a reminder to collect the product separately from other waste at the end of its life or to return it to the retailer when purchasing a new appliance of an equivalent type. This helps to preserve the environment from contamination and promotes the recycling of product components. Unauthorised disposal is subject to sanctions in accordance with the law.

### Warning

-All representations in this data sheet are indicative and fixing should be checked when choosing the system to be used.

Features subject to change and improvement without notice