



VERT FLAT

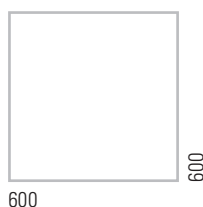
on T15 structure

DESCRIPTION

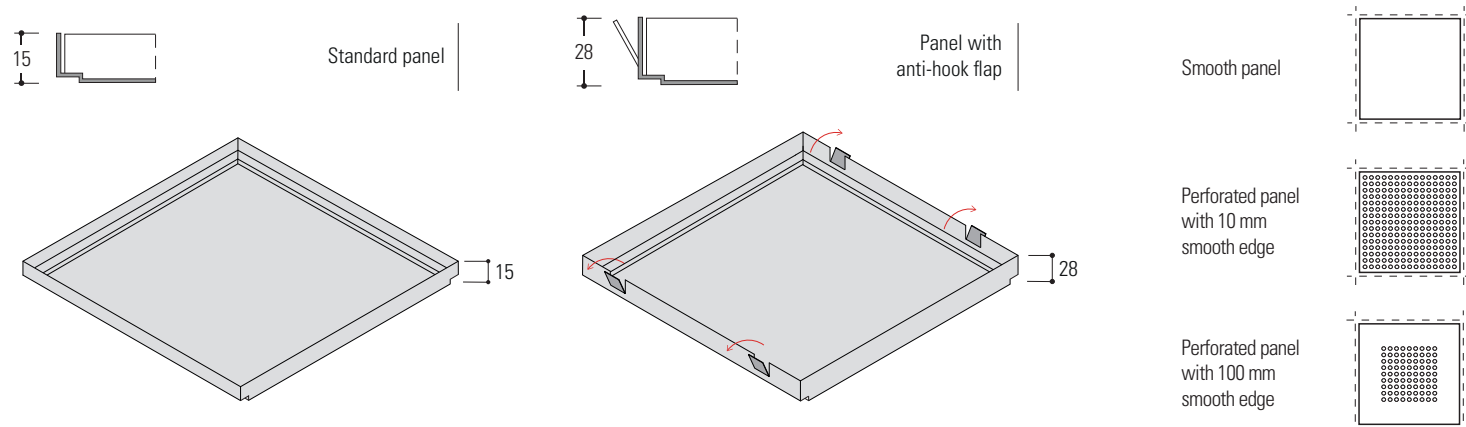
Vert Flat is a modular, simply installed false ceiling for interior use. The panels can be individually inspected and are made of steel or aluminium, with a smooth or perforated finish. The harmony of the system is achieved by using the Vert Visio Led light fixture and plenum (supply and return), integrated into the false ceiling.

TECHNICAL CHARACTERISTICS

| | |
|------------------------|--|
| European standard: | CE - EN 13964 |
| Durability: | Class B |
| Fire resistance: | A1 |
| Sound absorption: | EN ISO 354 |
| Standard colour: | Pre-painted White - Silver - Mirror Aluminium Post-painted RAL - NCS - Sublimated |
| Standard material: | Aluminium (Alloy 3000H46) Galvanised steel (DX51DZ) |
| Standard thickness: | 0,4 - 0,5 - 0,6 mm |
| Standard modules: | 600x600 mm with flush edge |
| Average system weight: | 4-5 kg/mq |



MODEL AND FINISH



ADVANTAGES AND APPLICATIONS

DESCRIPTION

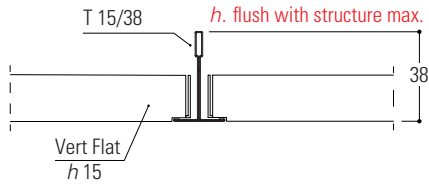
The **Vert Flat** panel consists of a membrane (smooth or perforated) and an exposed substructure that together form a square grid effect, with a small darkening effect. The panel can be of two types:

A) Standard (h 15 mm).

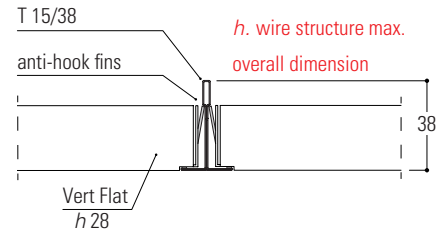
A1) With anti-hook fins (h 28 mm) fitted to the T-structure.

The anti-release flaps ensure that the panel is not lifted, in fact they fit together with the "T" structure, without compromising punctual inspection. The panels can be promptly inspected by lifting them from the bottom and can be equipped with lighting fixtures and integrated M/R plenums for air conditioning (see system representations).

A) Standard panel



A1) Panel with anti-hook fins

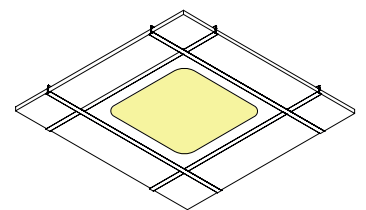
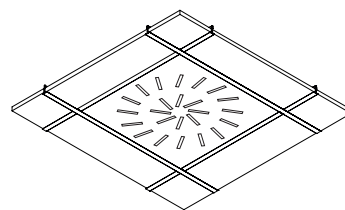
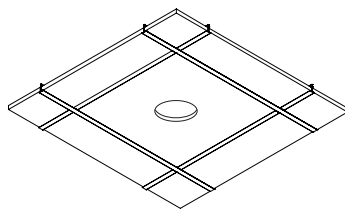
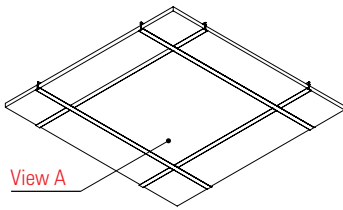


Standard system

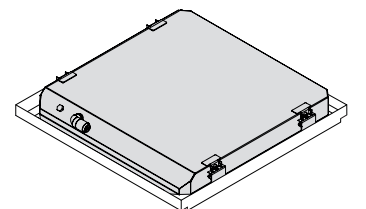
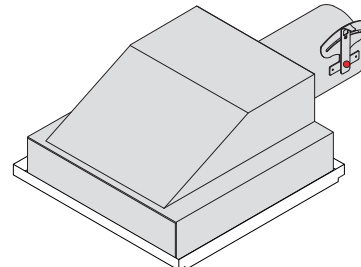
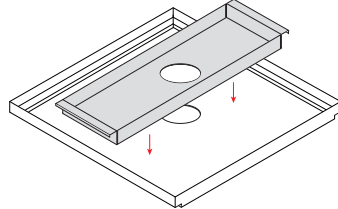
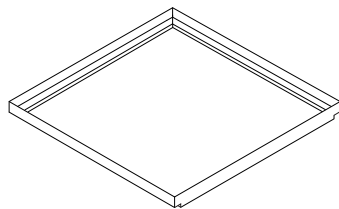
System with reinforcement panel and spotlight hole

System with plenum

System with ceiling



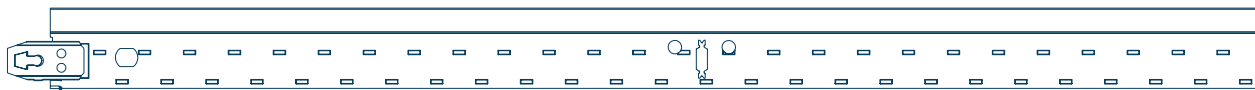
View A



SUITABLE PROFILES

FRECCIA

overlapping profile with 'riportato' hook



X SEISMIC

overlapping profile with anti-seismic hook shown



CLASSIC LINE

overlapping profile with 'ricavato' hook

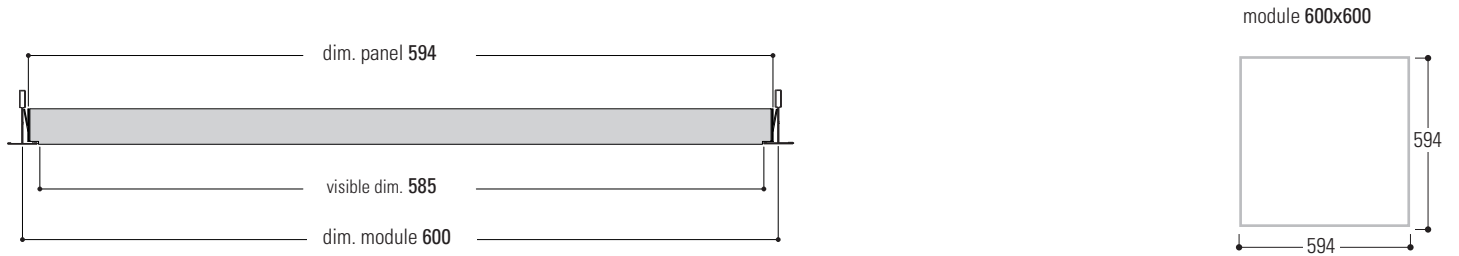


BAIONETTA

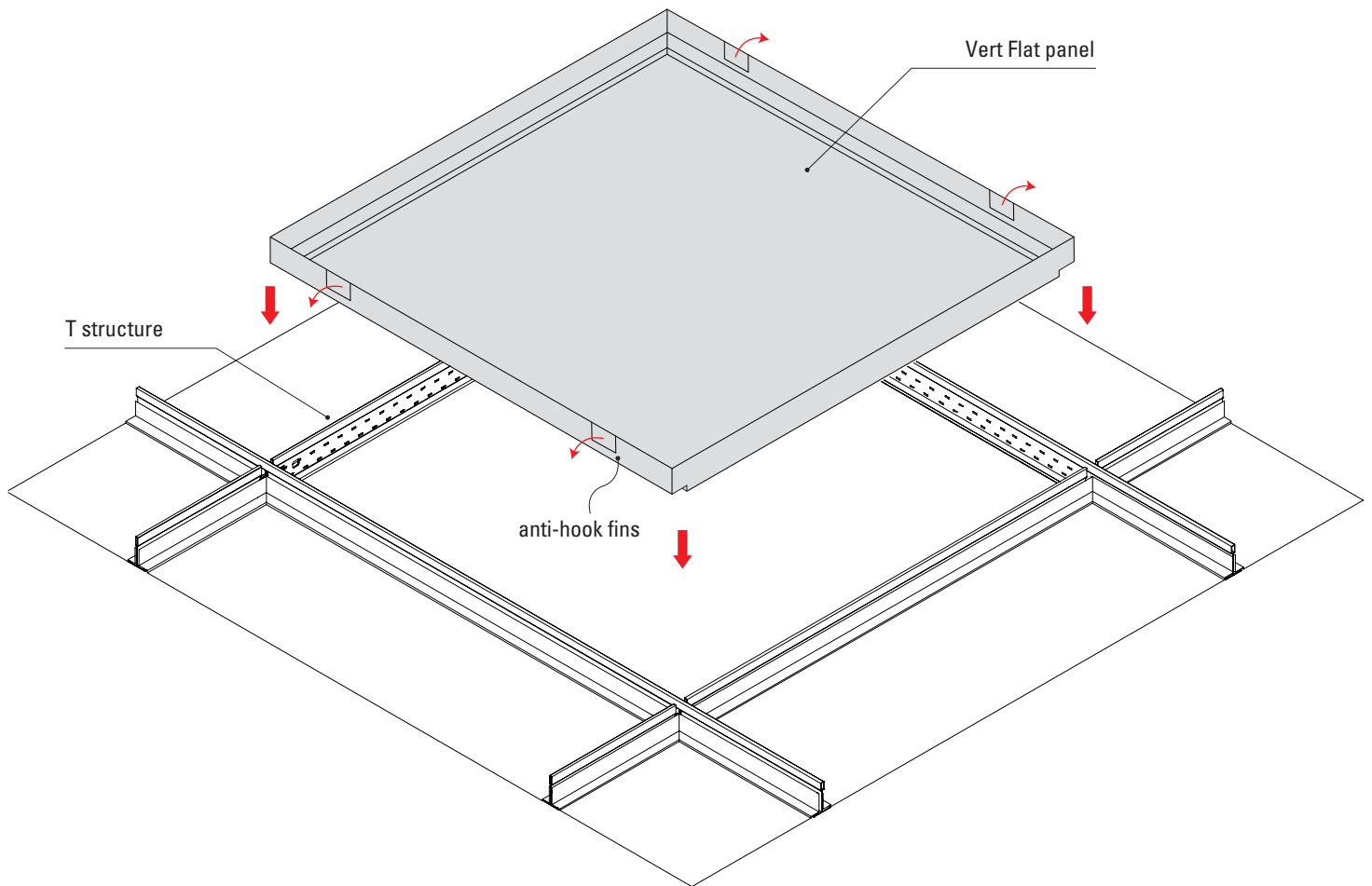
overlapping profile with 'ricavato' hook



MODULES AND DIMENSIONS

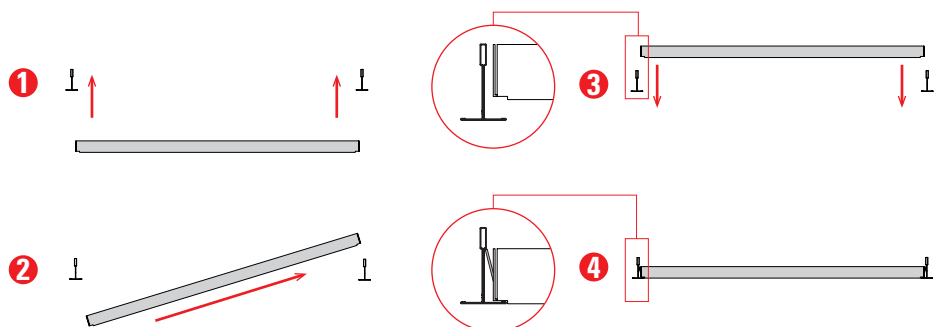


MOUNTING



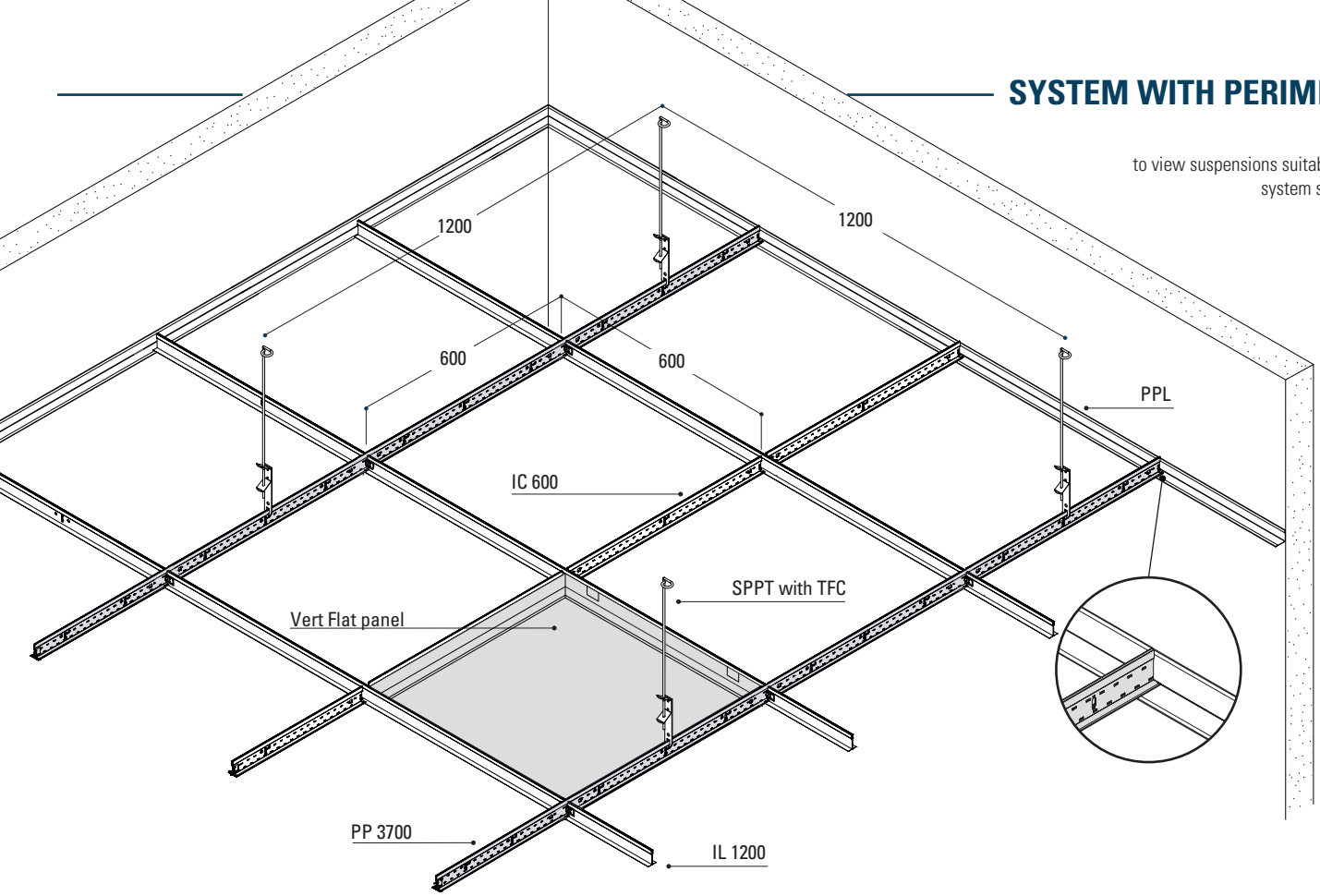
DESCRIPTION

1. Position and centre the panel between the T-profiles
 2. Insert the panel transversally, positioning it on the top of the metal structure.
 3. Place the panel on the T-profiles
 4. Pull down the fins positioned at the sides of the panel and make sure they engage with the T structure.
- Then make sure that they are properly seated.

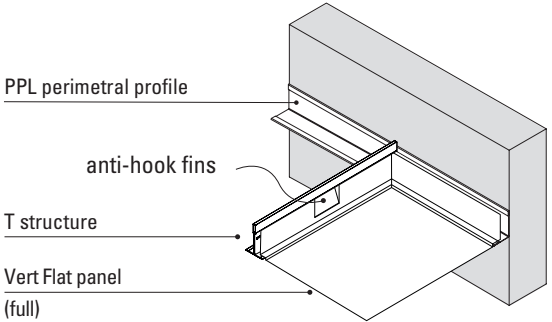
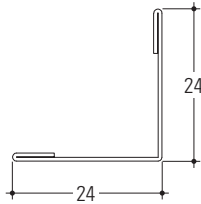


SYSTEM WITH PERIMETERS

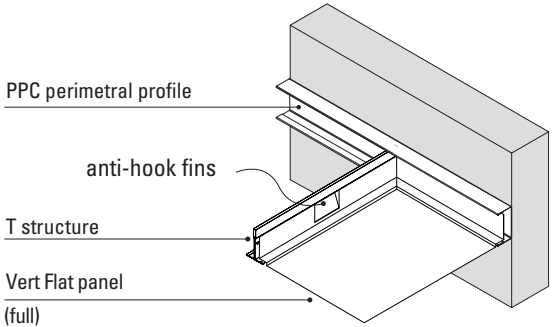
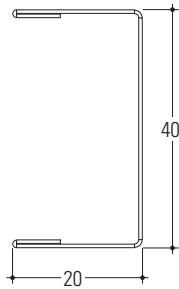
to view suspensions suitable for this system see page 8



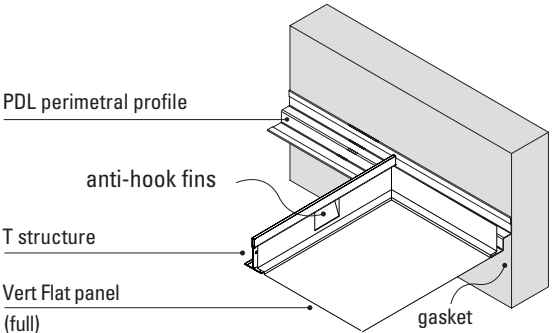
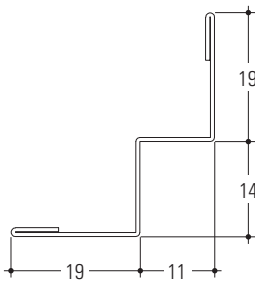
PPL is a classic 'L' perimeter profile suitable for application with Vert Flat type panels. The colour of the PPL profile may vary depending on the T-structure or the chosen panels that will be mounted on the false ceiling.



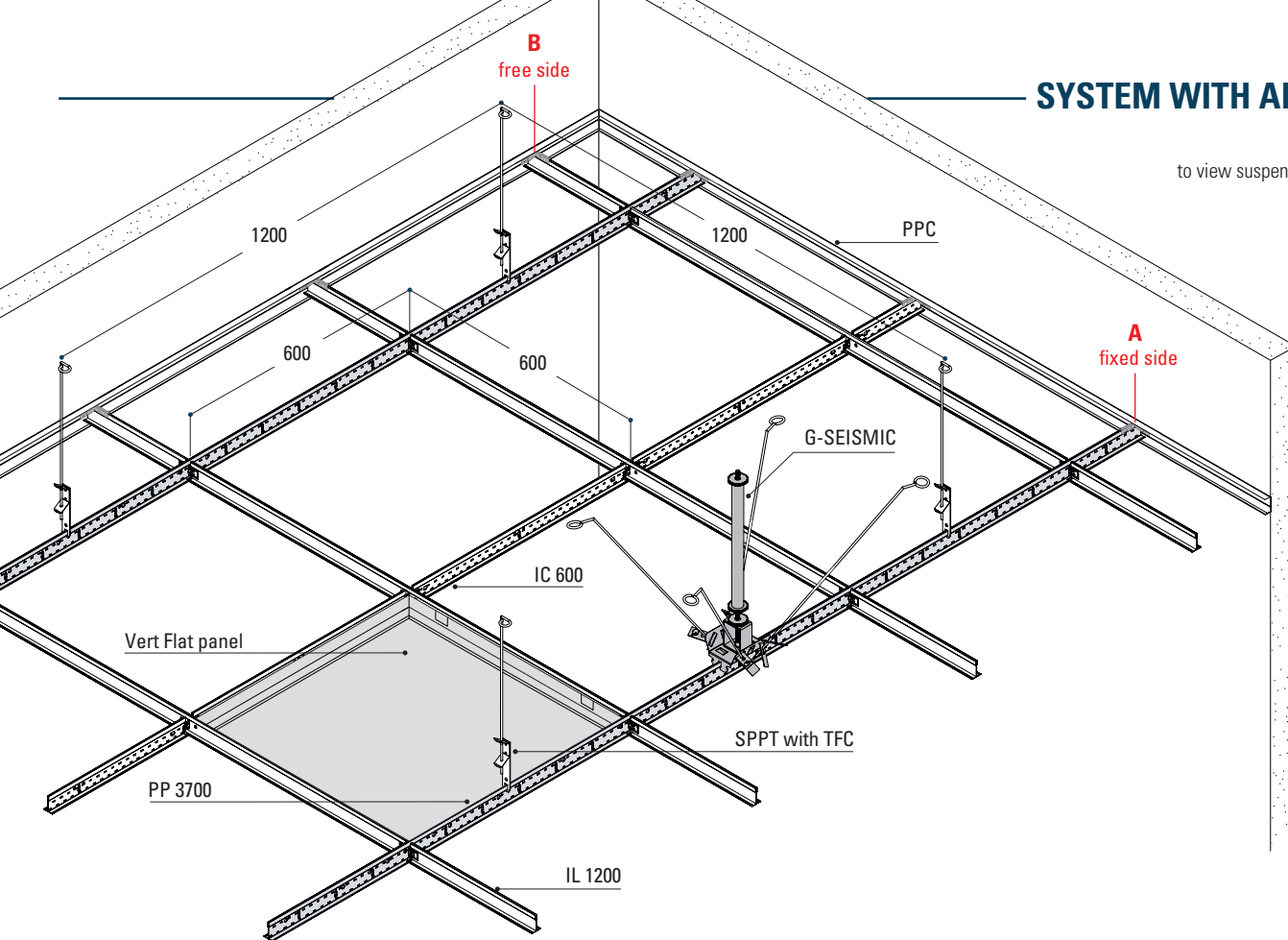
PPC has the characteristic of making a cut metal panel coplanar by using a "C" profile on the inside, which favours its rigidity and blocking. The colour of the PPC profile can vary depending on the T structure or the chosen panels that will be mounted on the false ceiling.



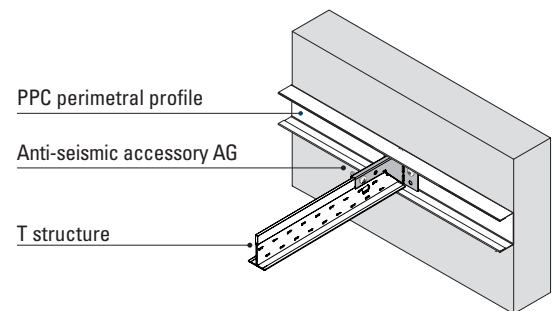
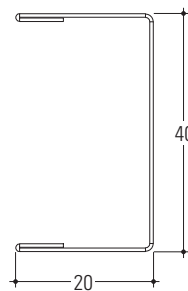
The **PDL**, in addition to its function as a perimeter profile, has as a characteristic the possibility of creating joints due to its stepped shape and thanks to this it is also possible to position the T profile on the top or bottom of it. The colour of the PDL profile can vary depending on the T-structure or the chosen panels that will be mounted on the false ceiling.



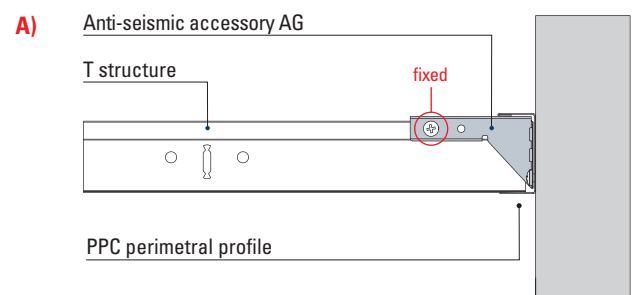
to view suspensions suitable for this system see page 8



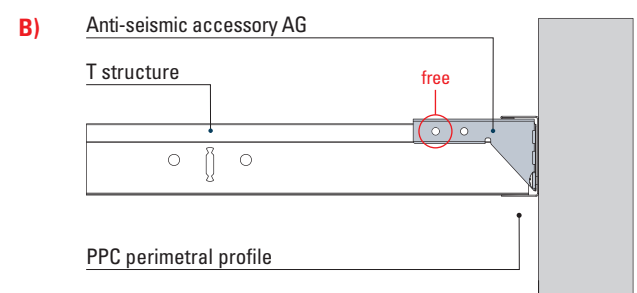
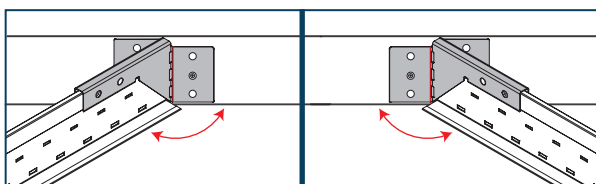
In addition to performing the function of a perimeter profile, the **PPC** has the possibility of integrating in it the anti-seismic accessory, which guarantees greater safety to the entire system in the event of seismic action. The assembly of the AG accessory is simple and intuitive; once positioned inside the PPC profile, it is fixed with screws and can be adjusted in both directions (right-left) to adapt the assembly of the structure to individual needs.



On the perimeter profiles, in order to create an additional constraint to the seismic action, two variants are applied on opposite sides through the use of the AG accessory. On one side (**A**), the structure is constrained to the wall, preventing any movement by screwing the AG accessory to the perimeter profile and the structure; instead, on the other side (**B**), the structure, in case of seismic action, is released from the AG accessory but still constrained in the direction and without being able to make rotational movements.

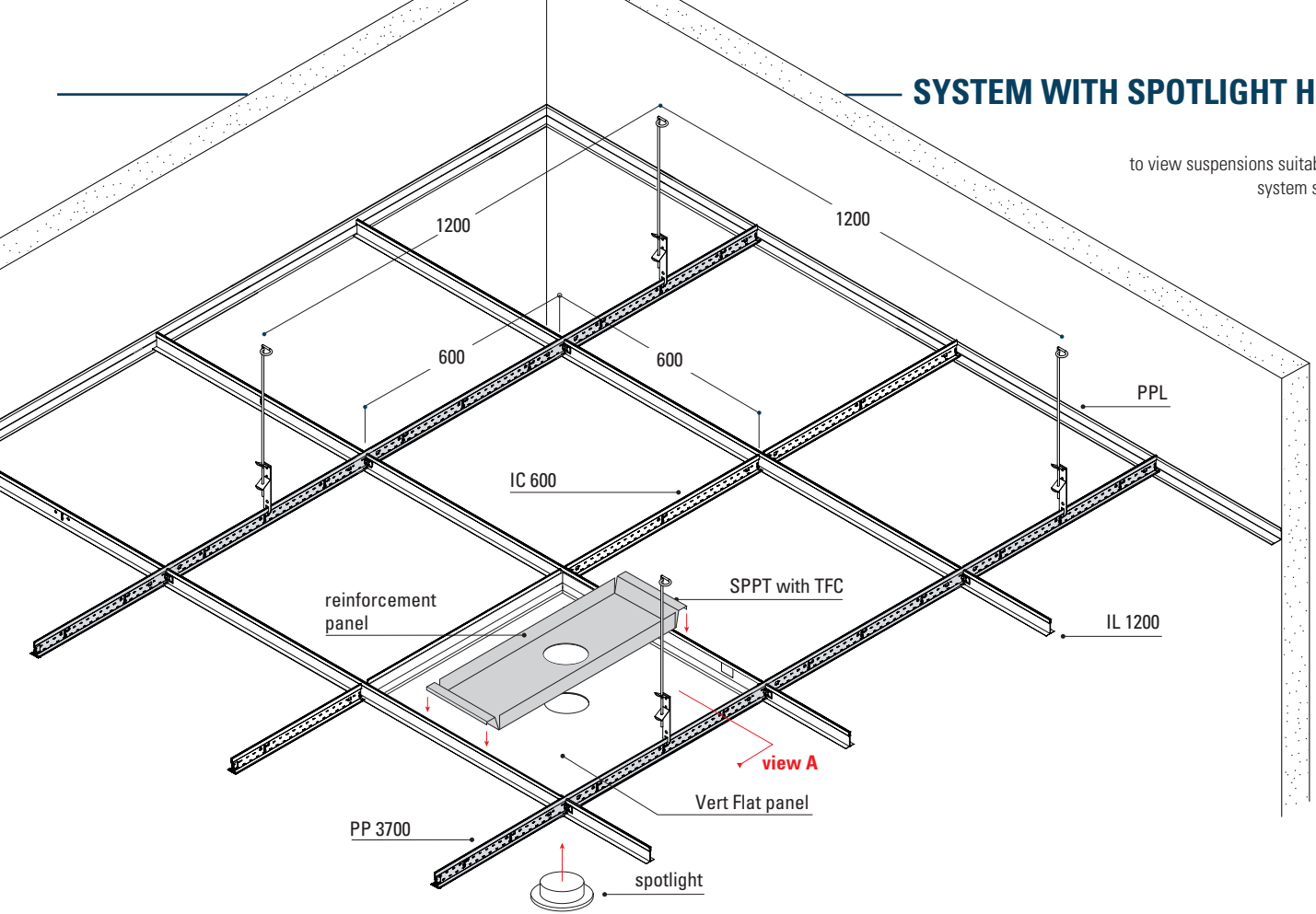


The **anti-seismic accessory** has the possibility, when mounted on the profile, of adjusting the angle to suit any type of need.



SYSTEM WITH SPOTLIGHT HOLDER

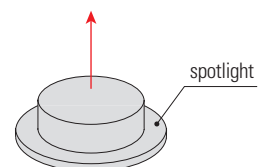
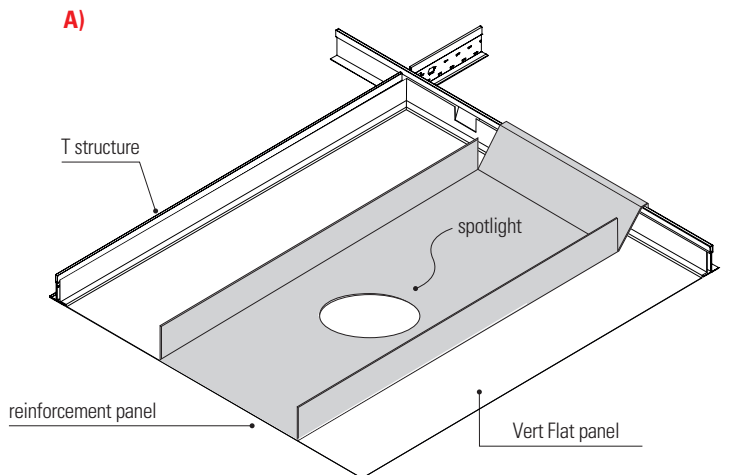
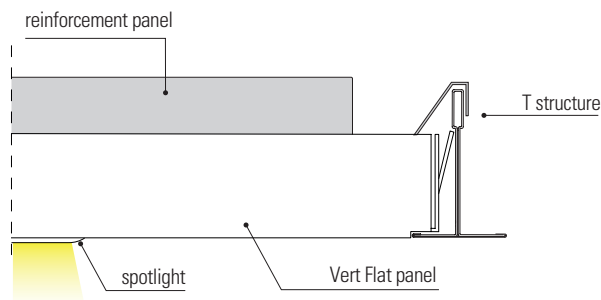
to view suspensions suitable for this system see page 8



INSTALLATION DESCRIPTION

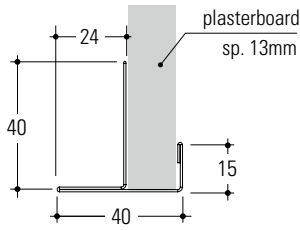
The spotlight is accompanied by a reinforcing panel at the time of installation in order to ensure a better hold, providing a simple and intuitive installation. The spotlight will discharge its full weight onto the reinforcement panel so that no bulges are created on the Vert Flat panel. The reinforcement panel

with its ends will be positioned above the Vert Flat panel by hooking into the sides of the 'T' structure. The last step is the application of the spotlight with consequent connection to the mains supply.

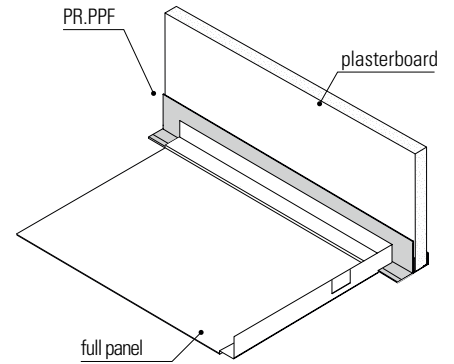


CONNECTION PROFILES

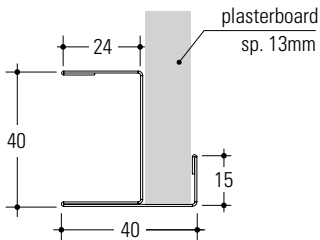
PR.PPF



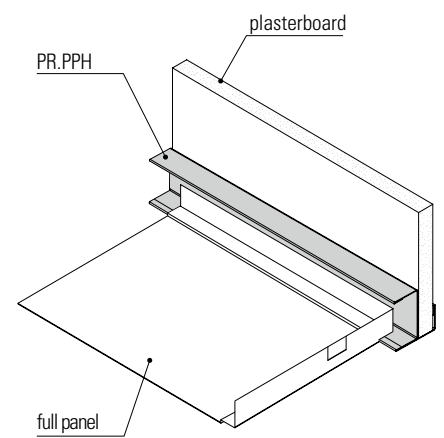
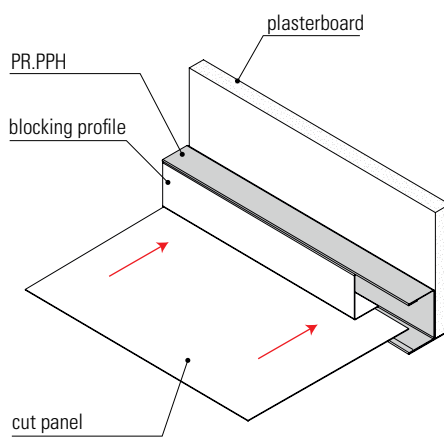
Connecting profile "PR.PPF" for vertical soffit and false ceiling, suitable for installation with Vert Flat system. The adjacent illustration shows the application of the "PR.PPF" profile on a plasterboard panel (13mm thick) and the Vert Visio panel laying on it.



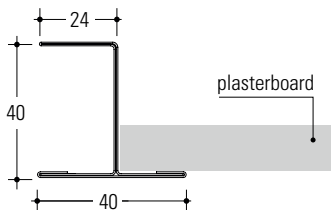
PR.PPH



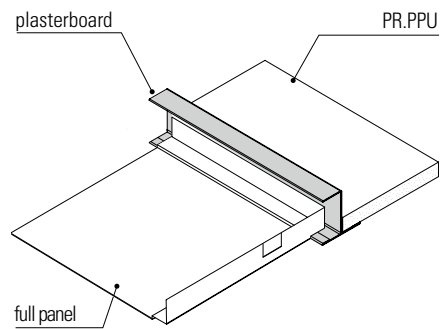
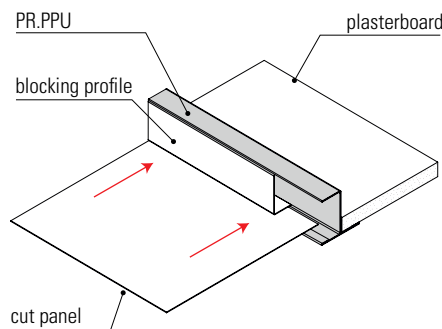
PR.PPH" connection profile for vertical and false ceiling, suitable for installation with Vert Flat system. The profile permits a perfect integration with cut or entire panel. The adjacent illustration shows the application of the "PR.PPH" profile on a plasterboard panel (13mm thick) and the Vert Visio panel laying on it. In the case of cut panel, a "C" blocking profile is added to ensure coplanarity.



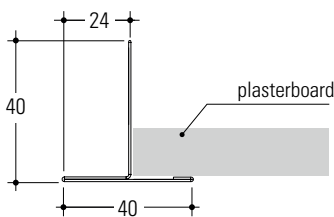
PR.PPU



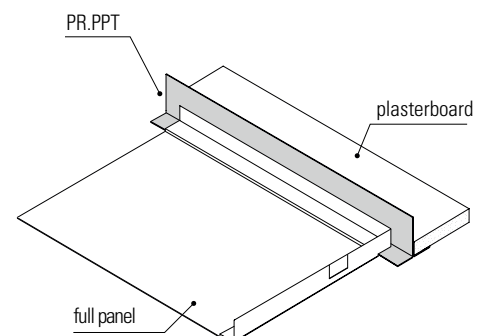
PR.PPU" connection profile for horizontal compensation and false ceiling, suitable for installation with Vert Flat type system. The profile allows perfect integration with cut or full panel. The adjacent illustration shows the application of the "PR.PPU" profile and the Vert Flat panel in support. In the case of cut panel, a "C" blocking profile is added to ensure coplanarity blocking profile to ensure coplanarity.



PR.PPT



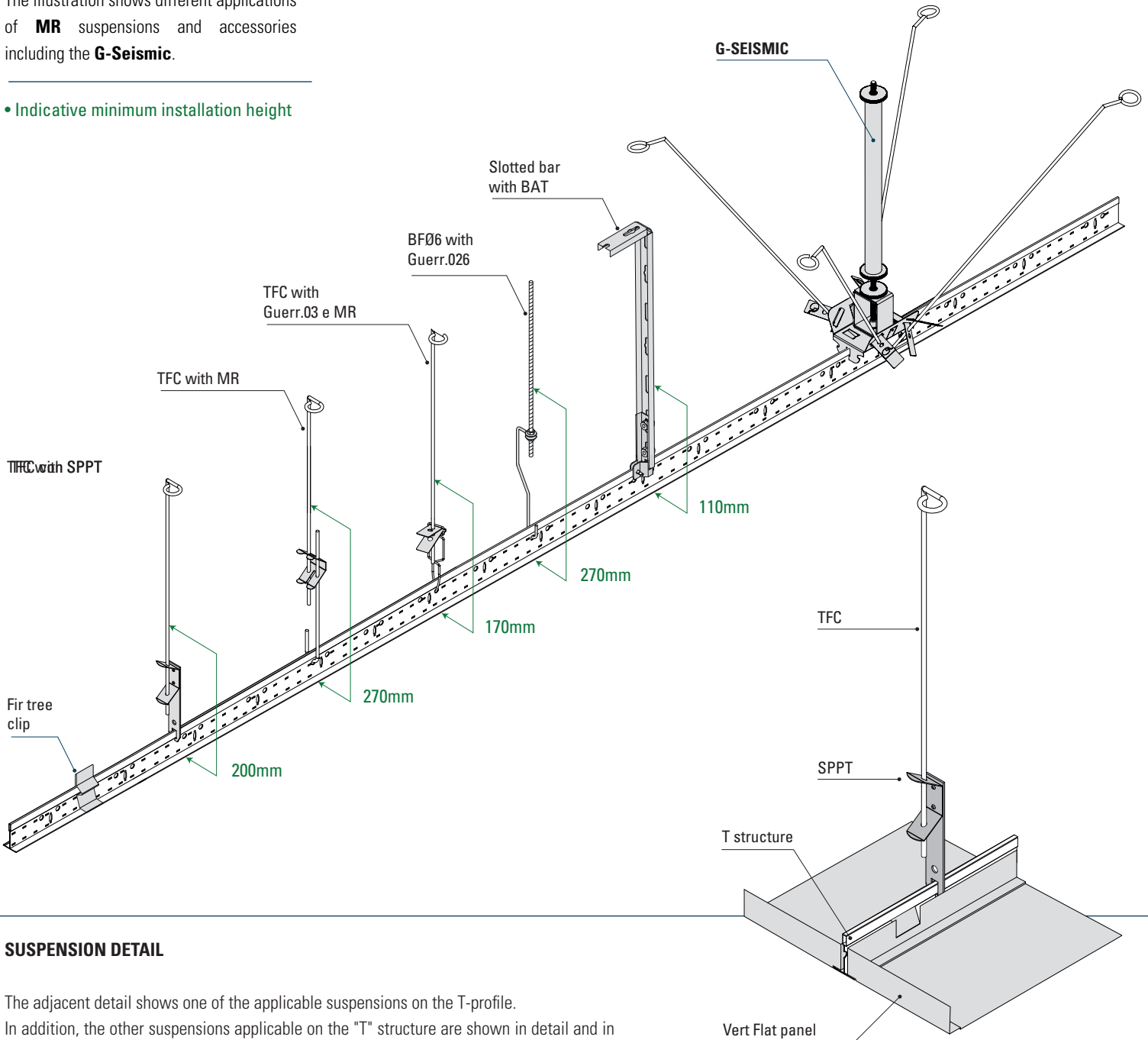
PR.PPT" connecting profile for horizontal compensation and false ceiling, suitable for installation with Vert Flat system. The adjacent representation shows the application of the "PR.PPT" profile and the Vert Visio panel in support



APPLICATION OF ACCESSORIES AND SUSPENSIONS

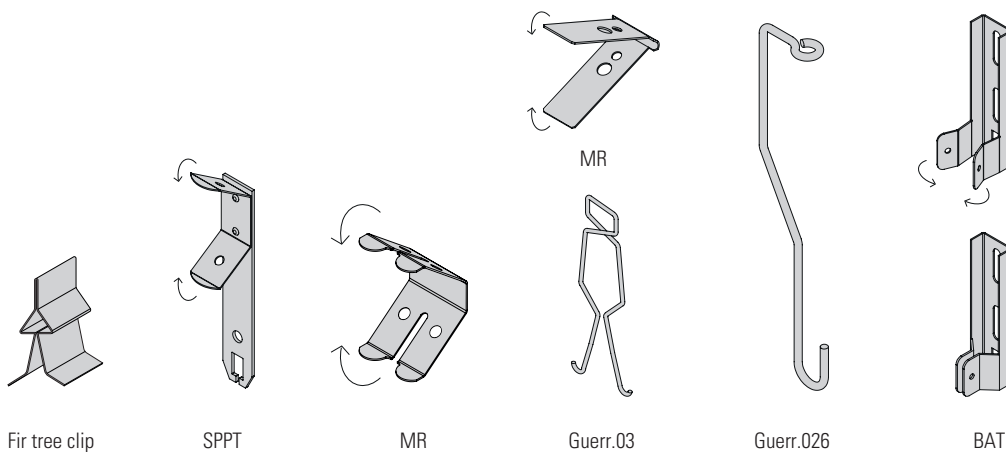
The illustration shows different applications of **MR** suspensions and accessories including the **G-Seismic**.

- Indicative minimum installation height



SUSPENSION DETAIL

The adjacent detail shows one of the applicable suspensions on the T-profile. In addition, the other suspensions applicable on the "T" structure are shown in detail and in their constructional functions in the depictions below



DESCRIPTION OF SUSPENSIONS

The "T" structure has the possibility of having several types of suspension, each of which has its own characteristics that make it suitable, effective and safe to suspend the structure with each type of ceiling. The assembly of the suspensions is simple and intuitive and guarantees practicality when setting up the structure.

NORMATIVE REFERENCES

- Construction product according to Regulation (EU) 305/2011
- CE marking in accordance with EN 13964
- Sheet metal quality and cladding grade in accordance with EN 10143 and EN 10346

CE MARKING

The product indicated in this data sheet is intended for use inside buildings. It is provided with a Declaration of Performance (DoP). Reaction to fire: class A1/Durability: class B (Building components exposed to variable relative humidity up to 90% and temperatures up to 30°C but without corrosive agents, except class C5-M products).

LEED PROTOCOL

This certification is establishing itself as the new world standard for environmentally friendly construction and promotes a sustainability-oriented approach. Evaluation on integrated process, optimisation of energy performance, construction and demolition waste management planning, interior lighting and acoustic performance.

PRODUCT STORAGE

Store parcels in covered places with a relatively dry atmosphere and at a temperature as constant as possible to avoid condensation phenomena that can reduce the passivation state protecting the galvanised surface. In the event of external storage (not recommended), use a cover that ensures perfectly protect the material against the weather (rain, fog, snow), taking care to place the packages slightly inclined. This cover must in any case be such as to allow adequate ventilation (not putting the two surfaces in direct contact), so that moisture does not accumulate and create condensation.

PACKAGING MATERIAL

The packaging is made of cardboard with plastic bags inside containing the panels, all sealed with tape on the outside. The pallet is made of plastic strapping and a wooden wall. The packaging is suitably sized to facilitate handling in warehouses and on construction sites.

WARNINGS

Important warnings

- Please read the following warnings carefully as they are important instructions for safe installation, use and maintenance.
- After removing the product from its packaging, make sure that it is intact, otherwise contact the seller.
- Packaging elements (plastic bags etc.) must not be left within reach of children as they are potential sources of danger.
- Failure to comply with the above may compromise the safety of the product.
- The manufacturer cannot be held liable for any damage resulting from improper, incorrect and unreasonable use.
- ed irragionevoli.

Avvertenze importanti

- The product must not be subject to modification; any modification voids the warranty and may render the product dangerous.
- Antonio Guerrasio s.r.l. shall not be held liable for any damage caused by its products not being assembled in accordance with the instructions.
- The products must be installed in a workmanlike manner.
- The product is also intended to be installed on normally flammable surfaces.



Recycling

the crossed-out bin serves as a reminder to collect the product separately from other waste at the end of its life or to return it to the retailer when purchasing a new appliance of an equivalent type. This helps to preserve the environment from contamination and promotes the recycling of product components. Unauthorised disposal is subject to sanctions in accordance with the law.

Warning

-All representations in this data sheet are indicative and fixing should be checked when choosing the system to be used.

Features subject to change and improvement without notice