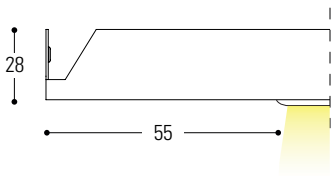




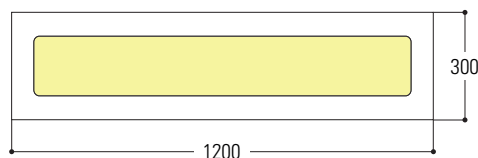
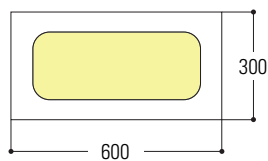
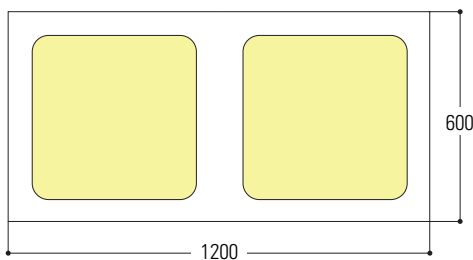
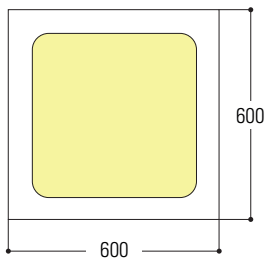
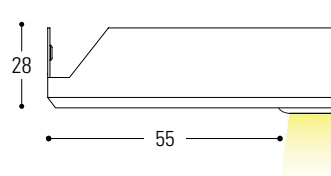
VERT OCCULTA

LED TECNOLOGY

90° edge



Bevelled edge



DESCRIPTION

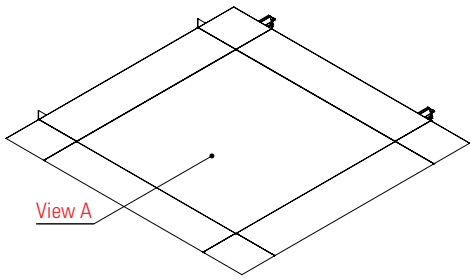
Recessed lighting fixture with high light output LED technology. An elegant and modern style guaranteed by the integration inside the Vert Occulta-type ceiling. The luminaire is composed of an aluminium and a cladding panel that has the same material (aluminium or steel) and the same finish (pre-painted or post-painted) as the false ceiling, and replaces all applications that hitherto involved the use of fluorescent and halogen tubes.

TECHNICAL CHARACTERISTICS

Panel material:	Aluminium (Alloy 3000H46) Galvanised steel
Ceiling light material:	Aluminium (Alloy 3000H46)
Colour:	Prepainted DONN-WHITE Silver Mirror-coated aluminium Post-painted RAL-NCS-Sublimed
Panel thickness	0,4 - 0,5 - 0,6 mm
Body thickness:	0,8 mm
Internal driver:	Yes
Features:	DALI module Night light Presence sensor with self-adjustment Emergency module
Standard modules:	600x600 mm with 90° or bevelled edge 600x1200 mm with 90° or bevelled edge 300x600 mm with 90° or bevelled edge 300x1200 mm with 90° or bevelled edge
Service life:	50.000 hours
LED Warranty:	3 Years
Product weight:	4 kg

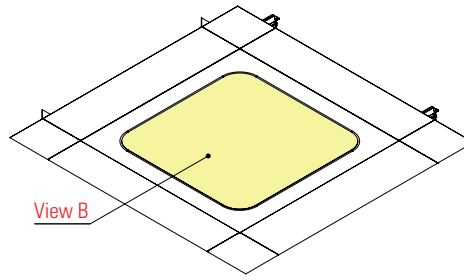
ADVANTAGES AND APPLICATIONS

Vert Occulto System



View A

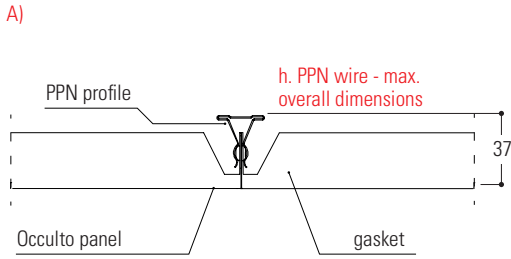
Vert Occulto system with ceiling light



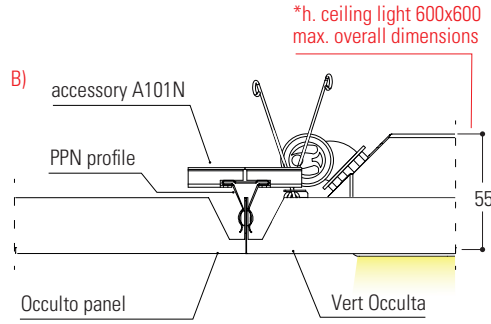
View B

DESCRIPTION

The **Vert Occulto** ceiling light allows perfect integration into the Vert Occulto system. The ceiling light consists of a panel that follows the lines of the false ceiling and the passage of light is in relief, enhancing its design. The Vert Occulto system can be realised in single or double frame as shown in the figures below and, together with the ceiling light, can be accessed at any point using a suction cup supplied.



A)

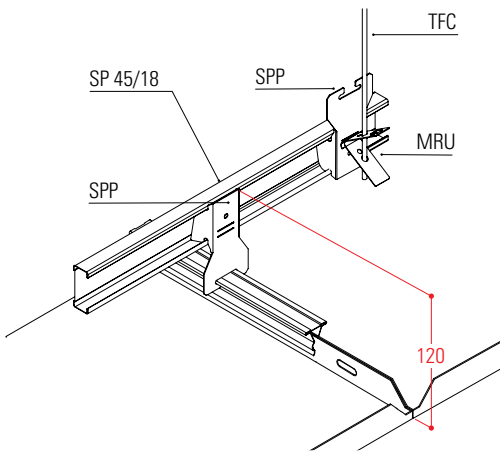


B)

*Overall dimensions ceiling light	module 600x600
	55 mm
	module 300x600
	60 mm
	module 300x1200
	60 mm

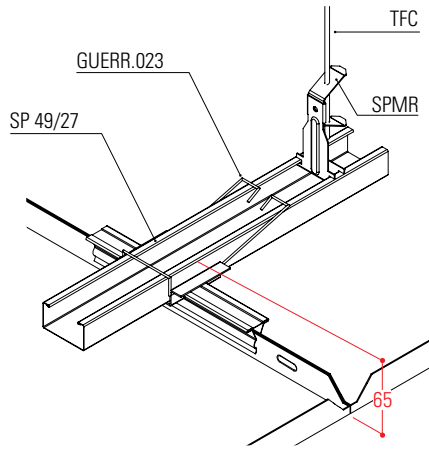
SINGLE FRAME AND DOUBLE FRAME

Overall dimensions 120 mm



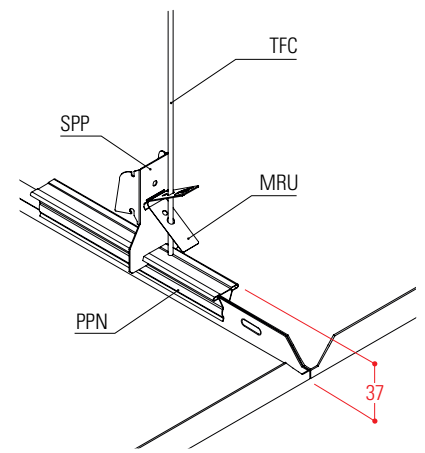
Double frame with SP 45/18

Overall dimensions 65 mm



Double frame with SP 49/27

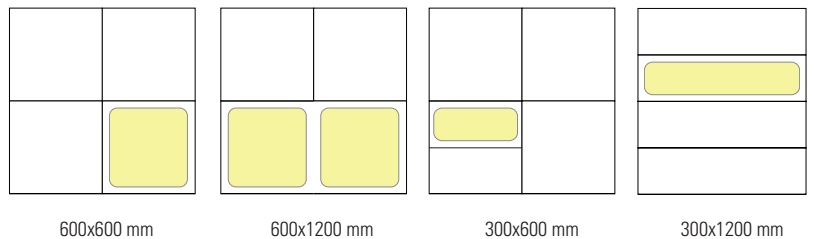
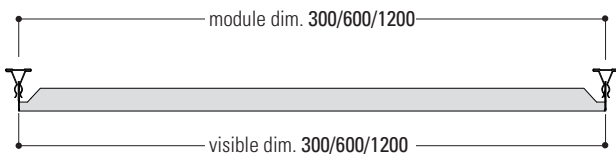
Overall dimensions 37 mm



Single frame with PPN

STANDARD MODULES

Different solutions are possible; with the possibility of different modules, you are able to create the right solution and meet every requirement.

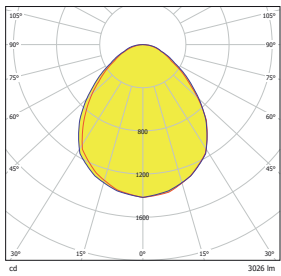


PERFORMANCE AND CONSUMPTION

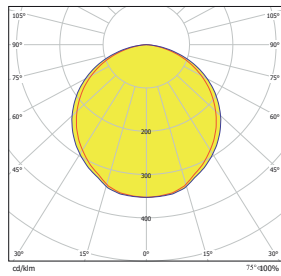
The **Vert Occulta** ceiling light is designed to offer homogeneous and flicker-free lighting suitable for installation in any location where a optimum visual performance is required. This panel LED offers excellent lighting performance up to 50,000 hours, with an estimated daily usage of 8 hours. Thanks to the integrated LED technology, this panel replaces older installations with halogen tubes with significantly lower consumption. The LED system, therefore, drastically lowers consumption while maintaining the same light intensity.

Type	Dimensions	Power (W)	Luminous flux Lamp** (IM) OPALE	Luminous flux Lamp** (IM) UGR
Vert Occulta Led 84	300x600	38	4000	3000
Vert Occulta Led 100+100	600x1200	80	-	6060
Vert Occulta Led 100	600x600	40	3500	3150
Vert Occulta Led 144*		56	5300	4800
Vert Occulta Led 200		80	7000	6300
Vert Occulta Led 265*		90	8800	7800
Vert Occulta Led 192	300x1200	75	6300	5700

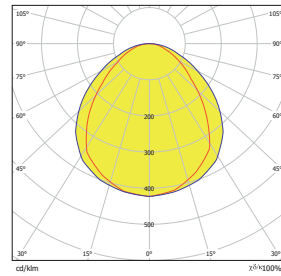
PHOTOMETRIC CURVES



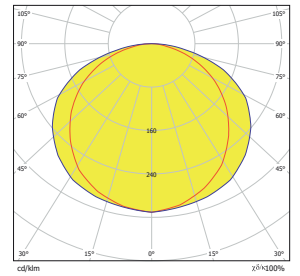
Vert Occulta 84 38W UGR



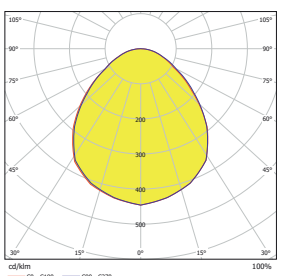
Vert Occulta 84 38W OP



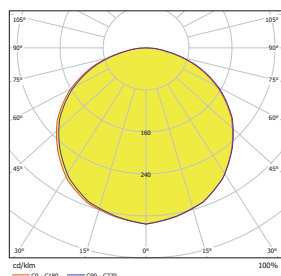
Vert Occulta 192 75W UGR



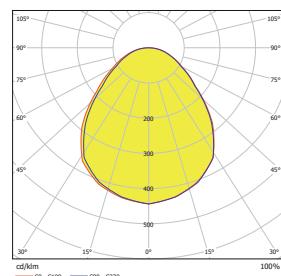
Vert Occulta 192 75W OP



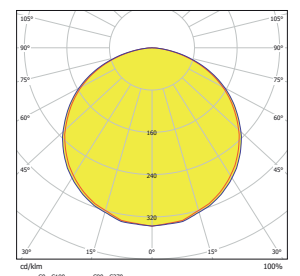
Vert Occulta 100 40 W UGR



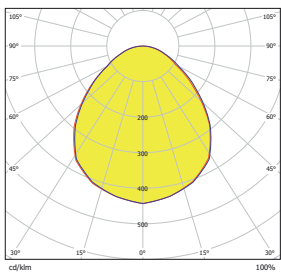
Vert Occulta 100 40 W OP



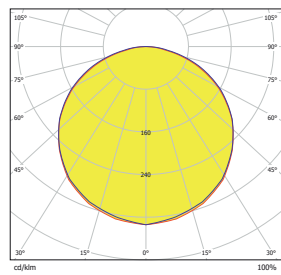
Vert Occulta 144 56W UGR



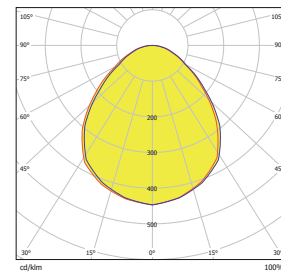
Vert Occulta 144 56W OP



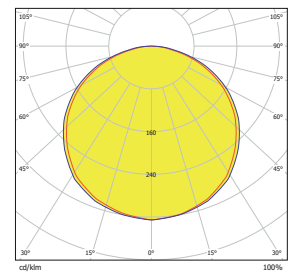
Vert Occulta 200 80 W UGR



Vert Occulta 200 80 W OP



Vert Occulta 265 90 W UGR



Vert Occulta 265 90 W OP

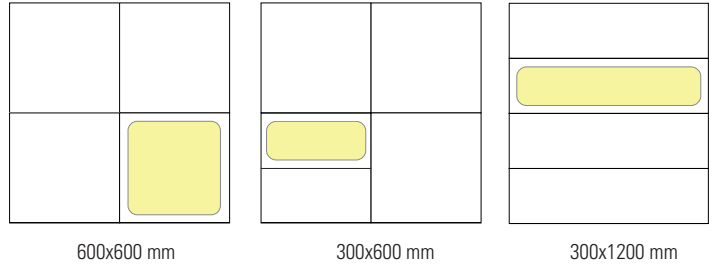
EMERGENCY MODULE

An emergency module can be integrated into the ceiling light, which guarantees a lighting autonomy of up to 3 hours even in the absence of electricity. This module is equipped with the standards shown in the table.

Autonomy	Capacity	Regulations	
3h	4,2 Ah	CEI EN 6154 7	CEI 2004/108
		CEI EN 61000-4- 8	CEI EN 55015
IEC 60598-2-22		CEI EN 61000-6- 3	EN 6052 9

OPTICAL GROUP

- Color rendering CRI>90 (CRI 80 available upon request)
- Photobiological risk 0 (exempt) protected from UV rays EN 62471
- Color temperature 3000K, 4000K and 6000K (LED diode selected 3 steps Mac Adam)
- Duration of the sources: LM 80/B10 > 50,000 at Ta = 25°C.



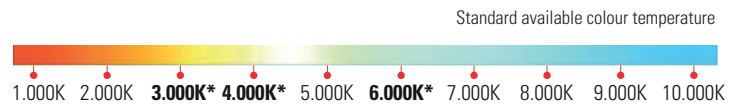
Available optics:

version UGR<19 (UGR)

Microprismatic polycarbonate optics for environments with video terminals

Standard Version (OP)

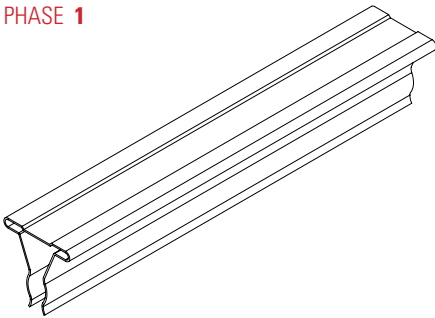
Plexiglass LED optics with high light transmission for uniform brightness



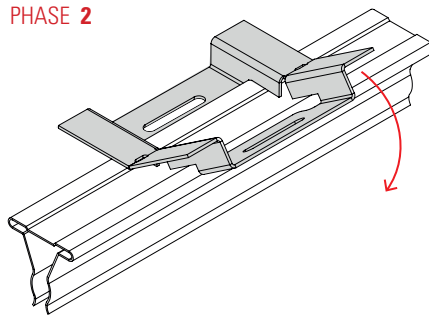
N.B the OP version is supplied on specific request

MOUNTING ACCESSORY A101N

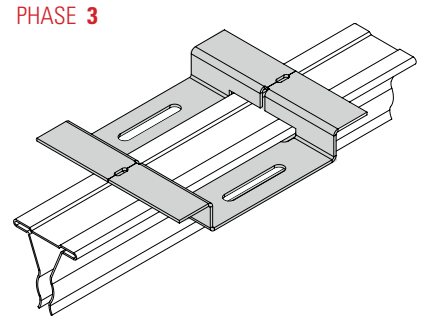
PHASE 1



PHASE 2

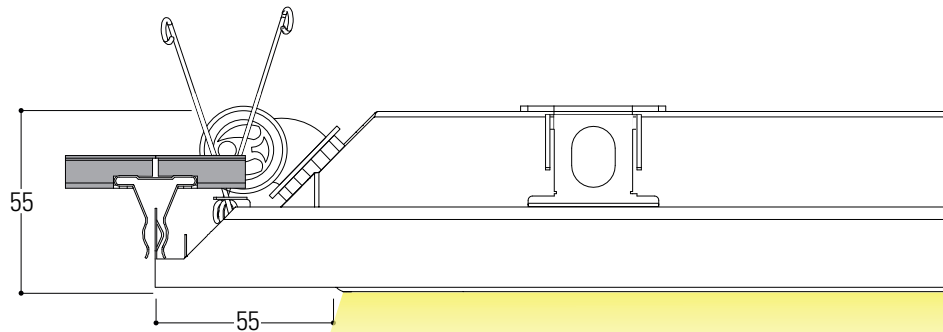


PHASE 3



DESCRIPTION A101N

With simple features, this accessory is used for the installation of the VertSigil ceiling light; it is applied quickly and intuitively. As can be seen from the steps described above, the accessory rests on the PPN profile and provides an ideal and safe solution for attaching the ceiling light. It also offers the possibility of easy and smooth inspection.

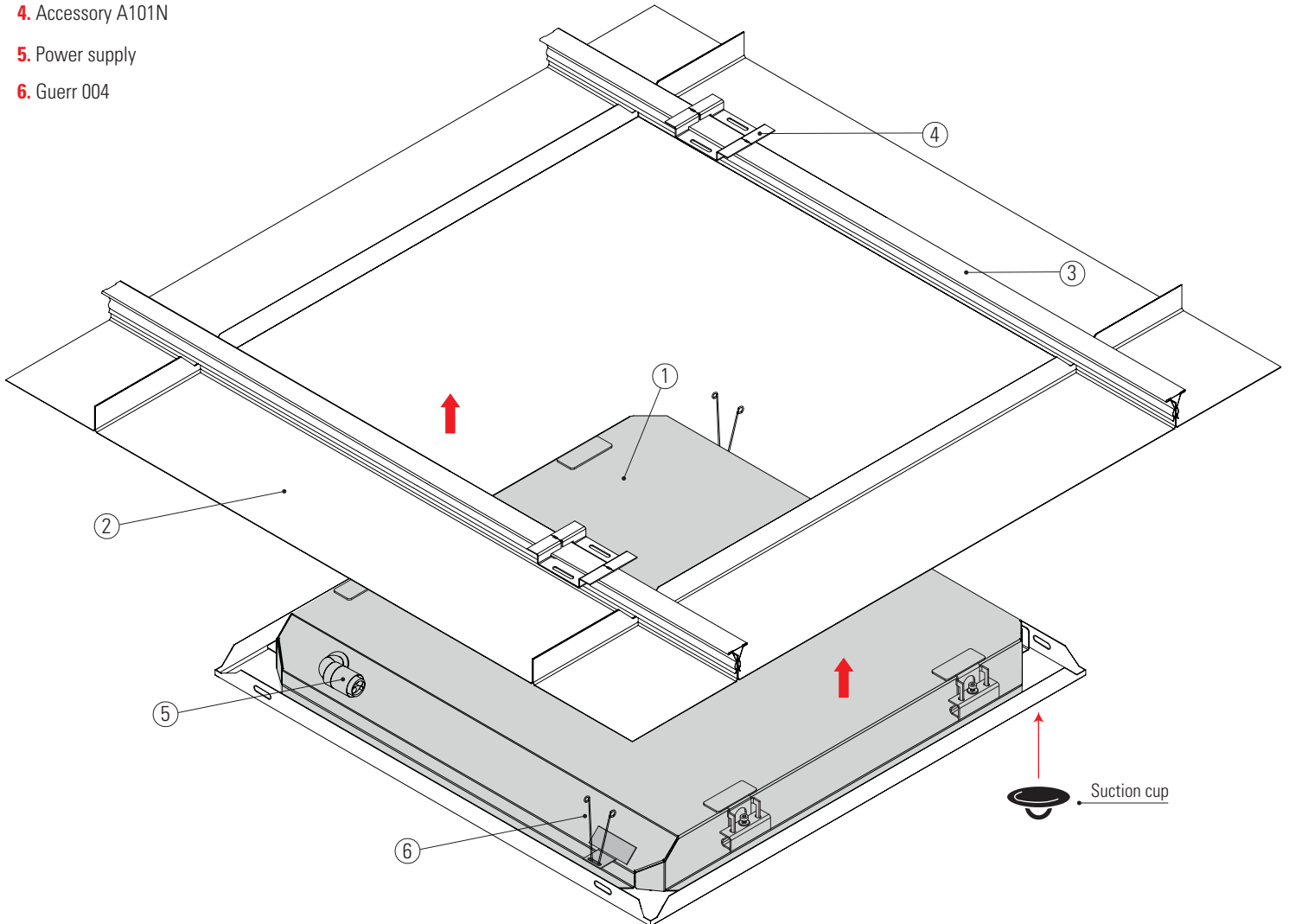


MOUNTING

SYSTEM ELEMENTS

1. Vert Occulta
2. Occulto Panel
3. PPN profile
4. Accessory A101N
5. Power supply
6. Guerr 004

**PERFECT INTEGRATION
IN THE CONCEALED VERT SYSTEM**
configuration with IP66 ceiling light

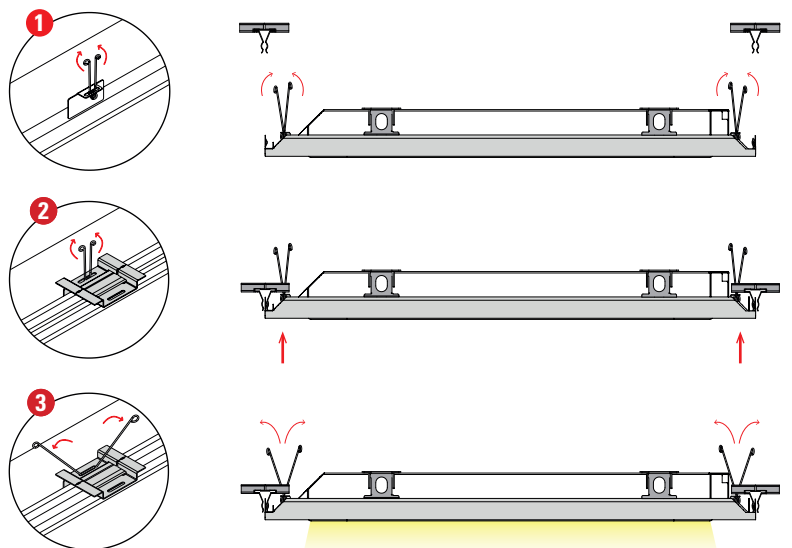


INSTALLATION DESCRIPTION

Installation of the Vert Occulta ceiling light is done in the same way as for a Vert Occulto panel, the steps are few and intuitive:

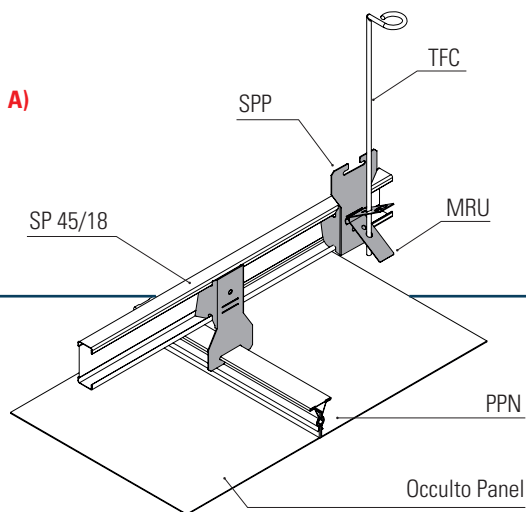
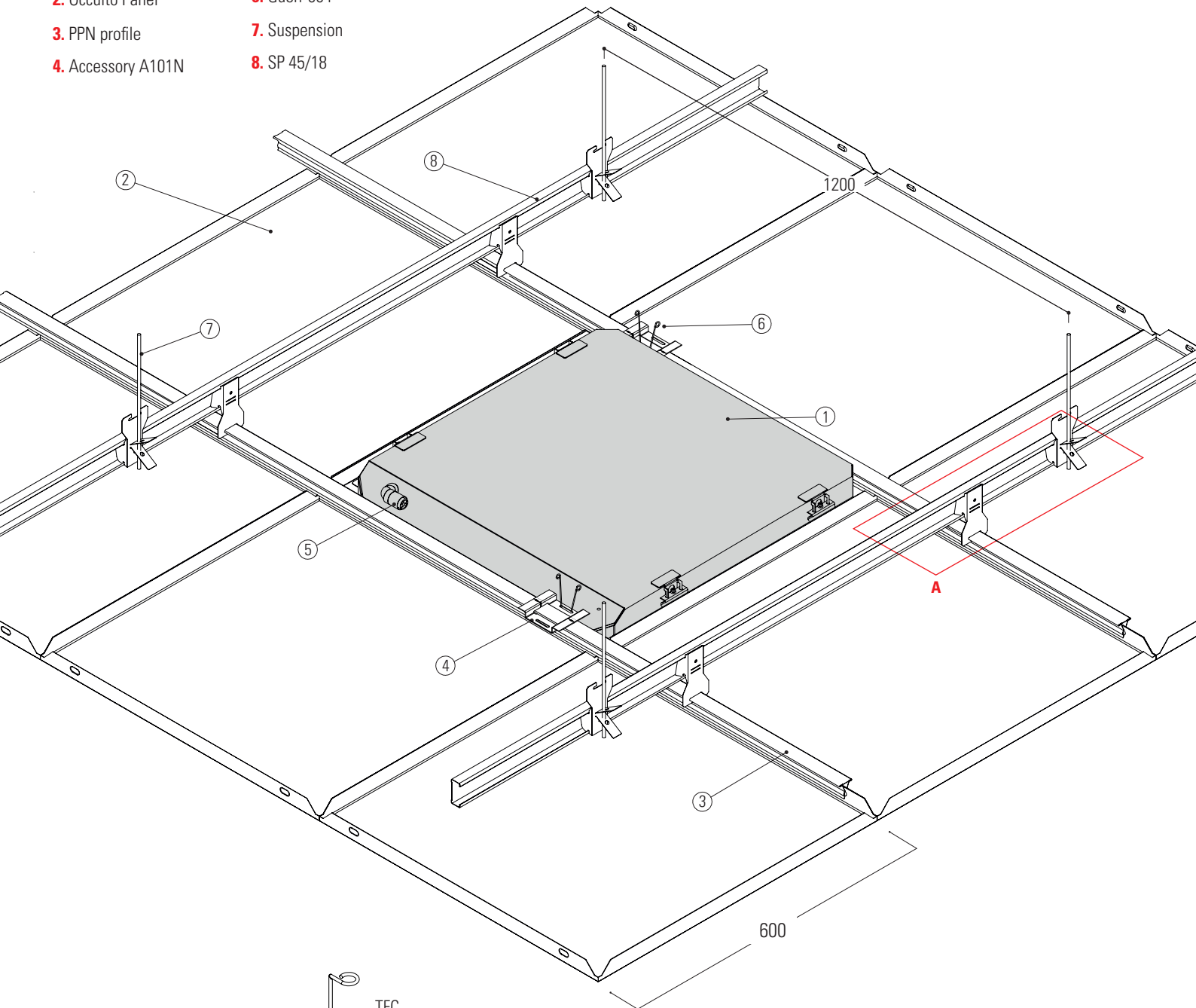
1. Tighten the springs(6) located on either side of the ceiling light(1)
2. Insert the springs into the slot of the A101N(4) accessory located on the PPN(3) profile
3. Then make the connection to the mains power supply using the power supply socket(5).

- Push the ceiling light up to complete the assembly.
- Use the suction cup in the corner to inspect the ceiling light.



SYSTEM ELEMENTS

- 1. Vert Occulta
- 2. Occulto Panel
- 3. PPN profile
- 4. Accessory A101N
- 5. Power supply
- 6. Guerr 004
- 7. Suspension
- 8. SP 45/18

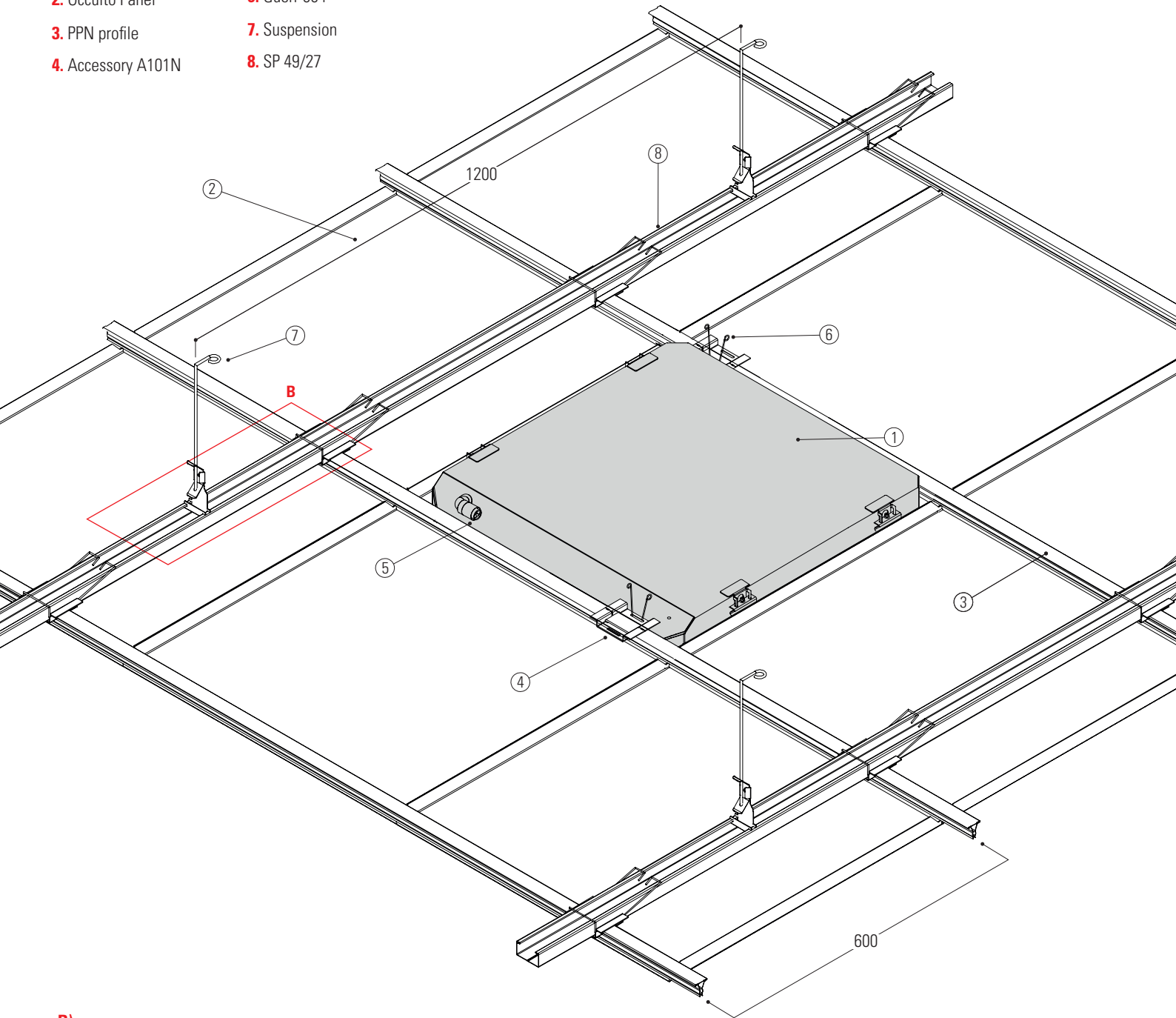


DESCRIPTION AND DETAILS

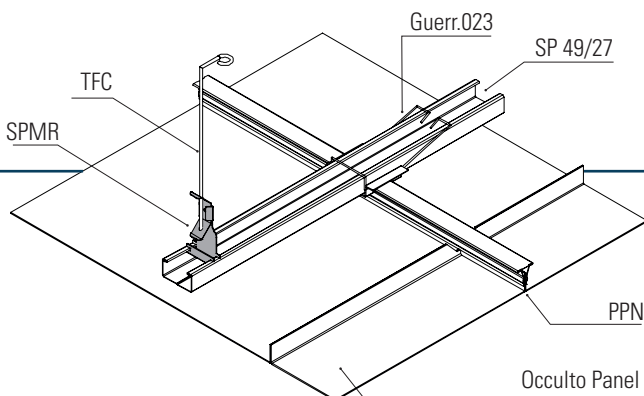
The OCCULTO system shown opposite is a non-coplanar, double frame system and is particularly suitable for solutions with limited space. The ceiling can be accessed at any point. It consists of a primary profile type SPN 49/27 that is suspended from the ceiling and a secondary profile type PPN. In addition to being easy to install, the suspension and connection systems are also adjustable at every point. The panel, on the other hand, is mounted from below by snapping into the PPN profile.

SYSTEM ELEMENTS

- 1. Vert Occulta
- 2. Occulto Panel
- 3. PPN profile
- 4. Accessory A101N
- 5. Power supply
- 6. Guerr 004
- 7. Suspension
- 8. SP 49/27



B)

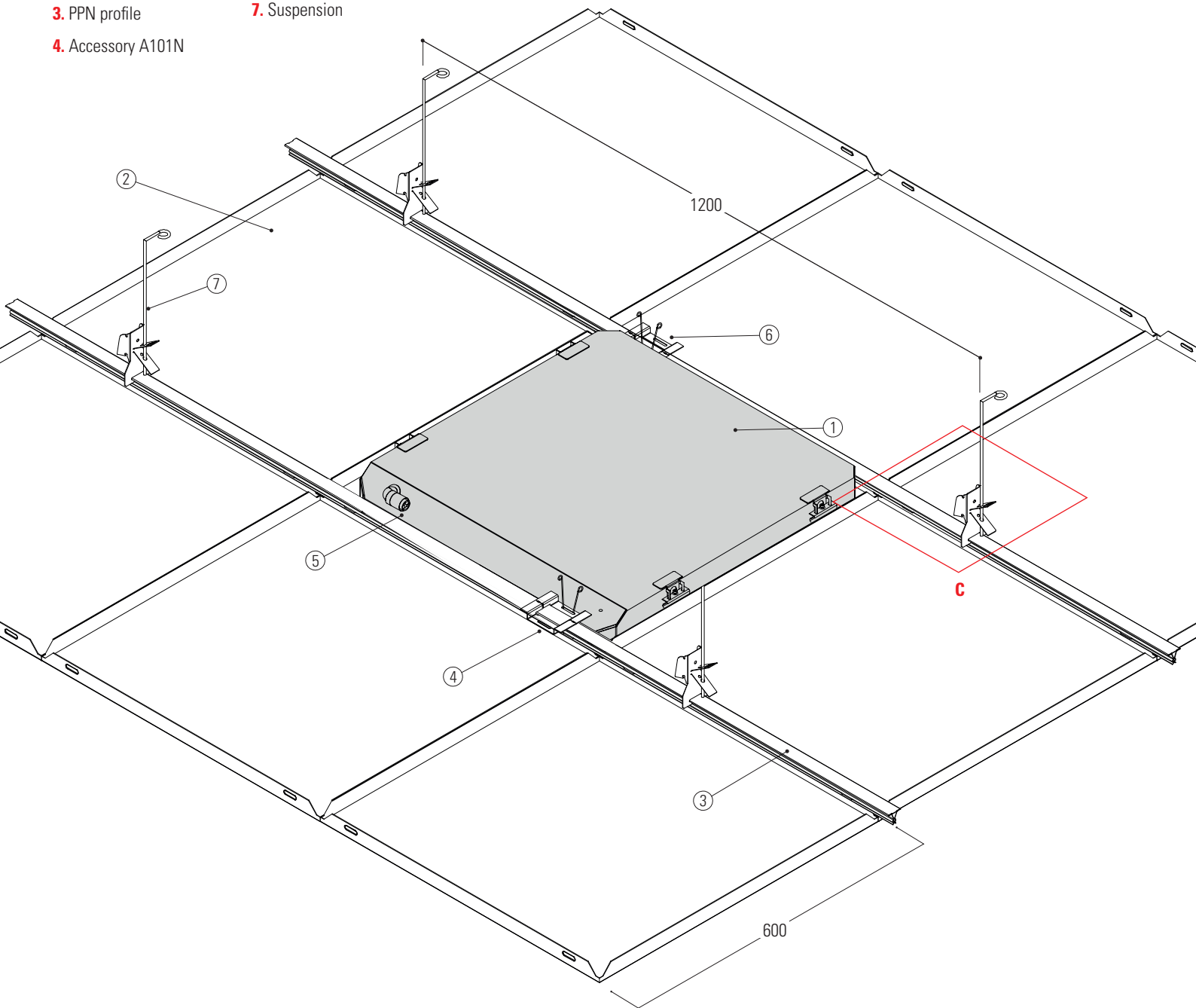


DESCRIPTION AND DETAILS

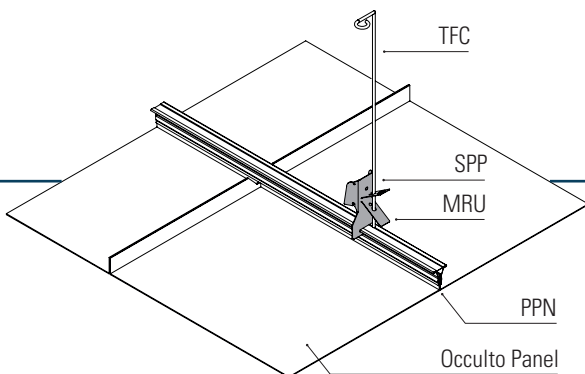
The OCCULTO system shown opposite is a non-coplanar, double frame system and is particularly suitable for solutions with limited space. The ceiling can be accessed at any point. It consists of a primary profile type SPN 49/27 that is suspended from the ceiling and a secondary profile type PPN. In addition to being easy to install, the suspension and connection systems are also adjustable at every point. The panel, on the other hand, is mounted from below by snapping into the PPN profile.

SYSTEM ELEMENTS

- 1. Vert Occulta
- 2. Occulto Panel
- 3. PPN profile
- 4. Accessory A101N
- 5. Power supply
- 6. Guerr 004
- 7. Suspension



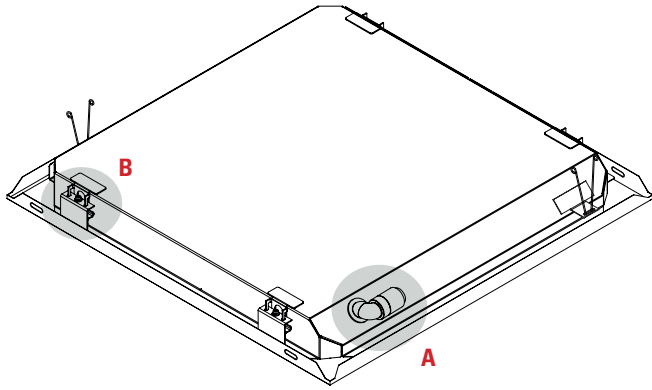
C)



DESCRIPTION AND DETAILS

The OCCULTO system shown opposite is a single frame system and is particularly suitable for solutions with limited space. The ceiling can be accessed at any point. It consists of a PPN profile that is suspended from the ceiling with suspensions. In addition to being easy to install, the suspension and connection systems are also adjustable at every point. The panel, on the other hand, is mounted from below with subsequent snapping into the PPN profile.

POWER SUPPLY SOCKET AND SEAL



A: POWER SUPPLY

230/240 - 50/60 Hz power supply with 0.75 mm² cross-section cable and PVC-HT sheathing flame retardant in accordance with CEI 20-35 and complying with CEI 20.20 and CEI CENELEC HD 21 standards. IP66 watertight connector 2P+E or 4P+E, maximum allowed cable cross-section 2.5 mm². Insulation class I. Suitable for installation on normally flammable surfaces.

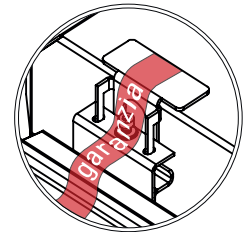
- Power supply EEI=A2 230-240, 50 - 60Hz. power factor > 0.95.

B: CLOSING BRACKET AND SEAL

Closing bracket consisting of two parts :

- Upper bracket
- Lower sealing bracket on which the guarantee seal is affixed.

It is recommended not to remove the seal, as this would result in the loss of the product warranty.



OTHER EQUIPMENT

Possible equipment of the Microprocessor Self-Test Module equipped with:

- Autonomy test
- Functionality test
- Routine tests

**Luminous flux tolerance $\pm 10\%$.

*Dual Power possibility

*RGB - DMX/ DALI system with localised touch panel

**Power subject to minor ($\pm 5\%$) variations without notice

*/** see table page 2

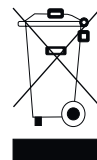
WARNINGS

General Warnings

- The luminaire is constructed in a workmanlike manner, and its electrical life will be more than sufficient if used correctly.
- Please read the following warnings carefully as they are important information for safe installation, use and maintenance.
- After removing the appliance from its packaging, ensure that it is undamaged, otherwise contact the seller.
- Packaging elements (plastic bags etc.) must not be left within reach of children as they are potential sources of danger.
- Before connecting the appliance, make sure that the rating plate data correspond to those of the electrical distribution network to which the appliance will be connected (the label with the rating plate data is located on the outside of the appliance).
- Before carrying out any cleaning or maintenance operations, disconnect the appliance from the mains power supply by switching off the circuit breaker; in the event of a fault, contact only professionally qualified personnel.
- Failure to do so may compromise the safety of the appliance.
- The manufacturer cannot be held liable for any damage resulting from improper, incorrect and unreasonable use.

Important warnings

- The product must not be subject to modification, any modification voids the warranty and may render the product dangerous.
- Antonio Guerrasio s.r.l. shall not be held liable for any damage caused by its products not being assembled in accordance with the instructions.
- Any damaged components must be replaced with similar ones.
- The products must be installed in a workmanlike manner.
- In order to avoid dangerous overheating, it is recommended not to install the appliance in cramped spaces without air exchange.
- The appliance is also intended for installation on normally flammable surfaces.



Recycling

In implementation of Directives 2002/95/EC, 2002/96/EC and 2003/108/EC ("on the reduction of the use of hazardous substances in electrical and electronic equipment and the disposal of waste") the crossed-out wheeled bin serves as a reminder to collect the product separately from other waste at the end of its life or to return it to the retailer when purchasing a new appliance of an equivalent type. This helps to preserve the environment from contamination and promotes the recycling of equipment components. Unauthorised disposal is subject to sanctions in accordance with the law.



IP66

