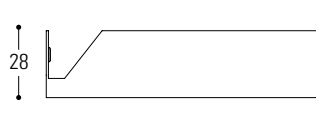
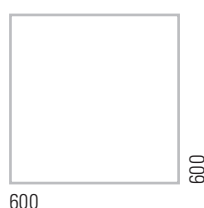
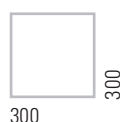
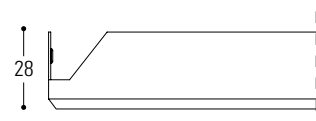


VERT OCCULTO

Edge 90°



Beveled edge



DESCRIPTION

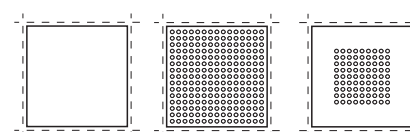
Vert Occulto is a false ceiling for indoor use that is modular and easy to install. The panels can be inspected on point, and the edge is either bevelled or 90°. It is made of steel or aluminium, with a smooth or perforated finishing. The harmony of the system is achieved by using the Vert Occulta Led lighting body and plenum (supply and return), integrated in the false ceiling. For outdoor false ceilings, a double frame is required, with the possibility of binding all panels with safety hooks, and installing inspection hatches (page 7-8).

TECHNICAL CHARACTERISTICS

| | |
|------------------------|----------------------------------------------------------------------------------------------------------------------------------|
| European Standard: | CE - EN 13964 |
| Durability: | Class B |
| Fire resistance: | A1 |
| Sound absorption: | EN ISO 354 |
| Standard colour: | Post-painted RAL - NCS - Sublimated Prepainted White - Silver - Mirror Aluminium |
| Materiale standard: | Aluminium (Alloy 3000H46) Galvanised steel (DX51DZ) |
| Standard thickness: | 0,4 - 0,5 - 0,6 mm |
| Standard modules: | 300x300 mm bevelled edge 600x600 mm edge at 90° , bevelled 300x1200 mm bevelled edge 600x1200 mm edge at 90° , bevelled |
| Average system weight: | 4-5 kg/mq |

FINISHING

INDICATIONS



Smooth panel

Perforated panel with 10 mm smooth edge

Perforated panel with 100 mm smooth edge



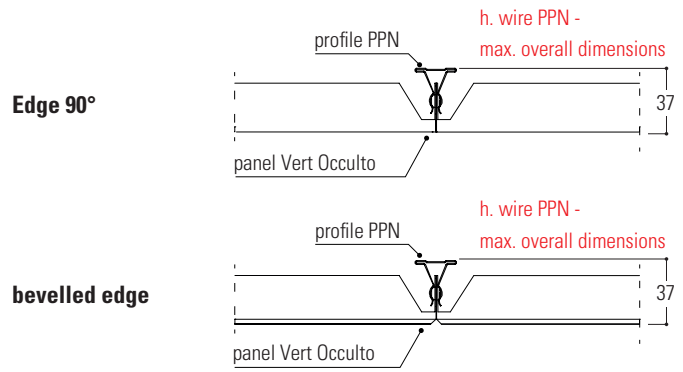
False ceiling for indoor use

False ceiling for outdoor use

ADVANTAGES AND APPLICATIONS

DESCRIPTION

The **Vert Occulto** panel consists of a membrane (smooth or perforated) and a hidden structure that together form a linear or raised effect. The membrane is composed of a metal panel with oblong indentations for attachment to the supporting structure. The perforation can be extended over the entire surface, creating a light and shade effect. The panel can be assembled in single frame (with PPN) and in double frame (with SP 45/18 - SP 49/27)

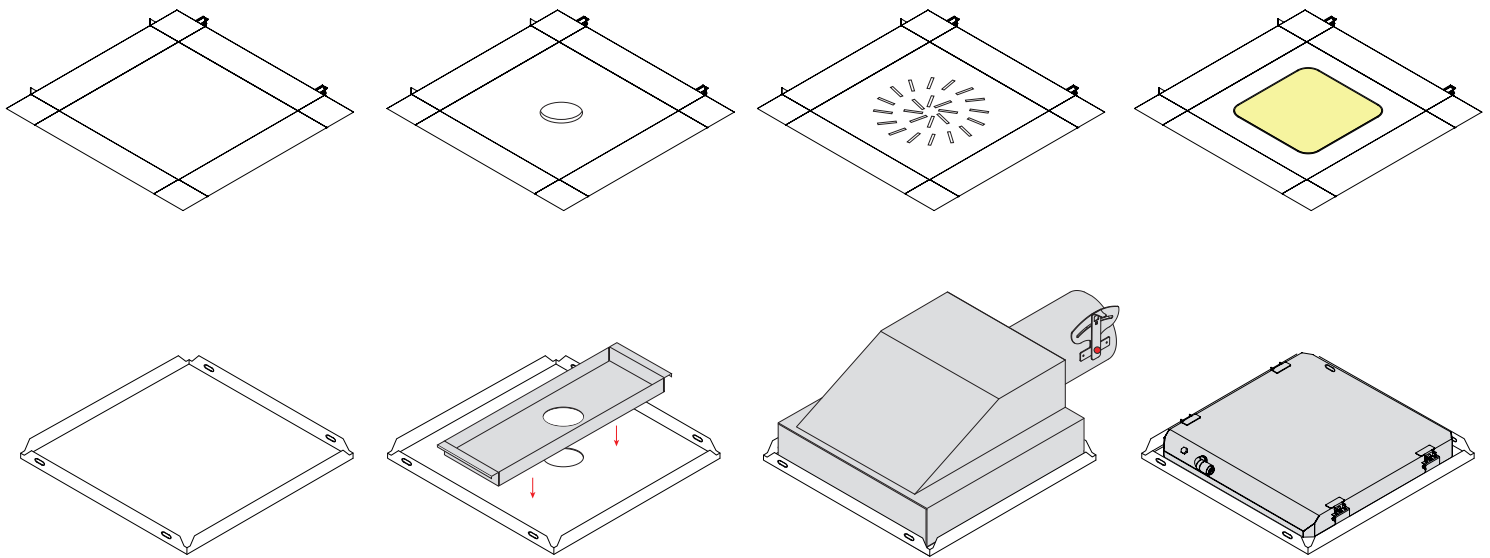


Standard system

System with reinforcement panel and spotlight hole

System with plenum

System with ceiling light

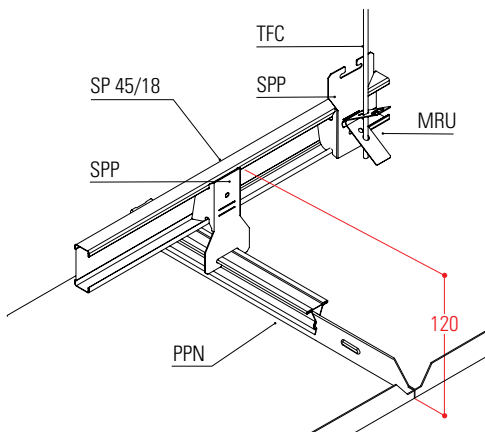


SINGLE AND DOUBLE FRAME

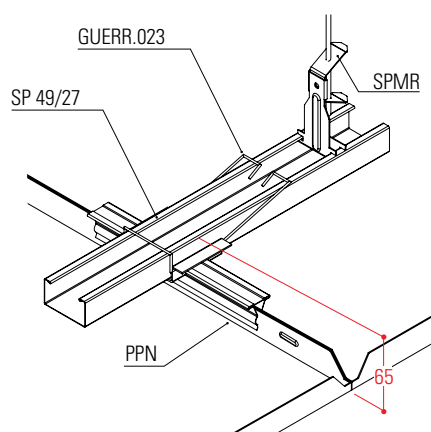
Max. installation space 120 mm

Max. installation space 65 mm

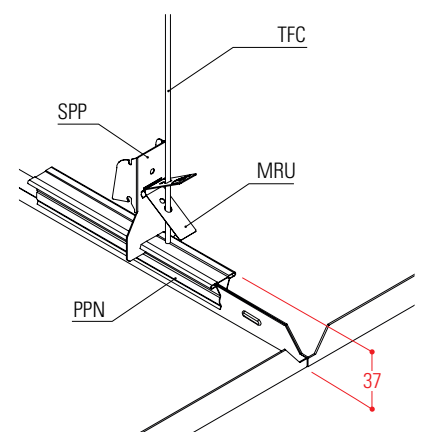
Max. installation space 37 mm



Double frame with SP 45/18



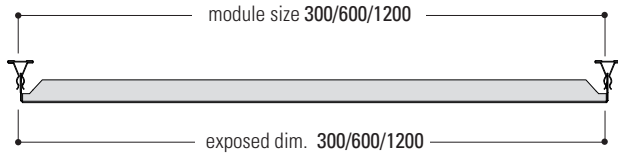
Double frame with SP 49/27



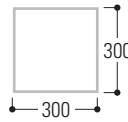
Single frame with PPN

MODULES AND DIMENSIONS

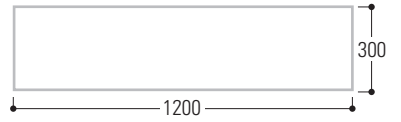
Different solutions can be implemented; with the possibility of different modules, you are able to create the right solution and meet every requirement.



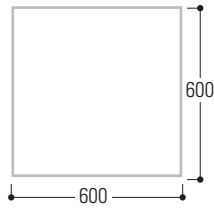
module 300x300



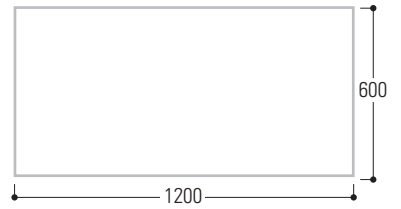
module 300x1200



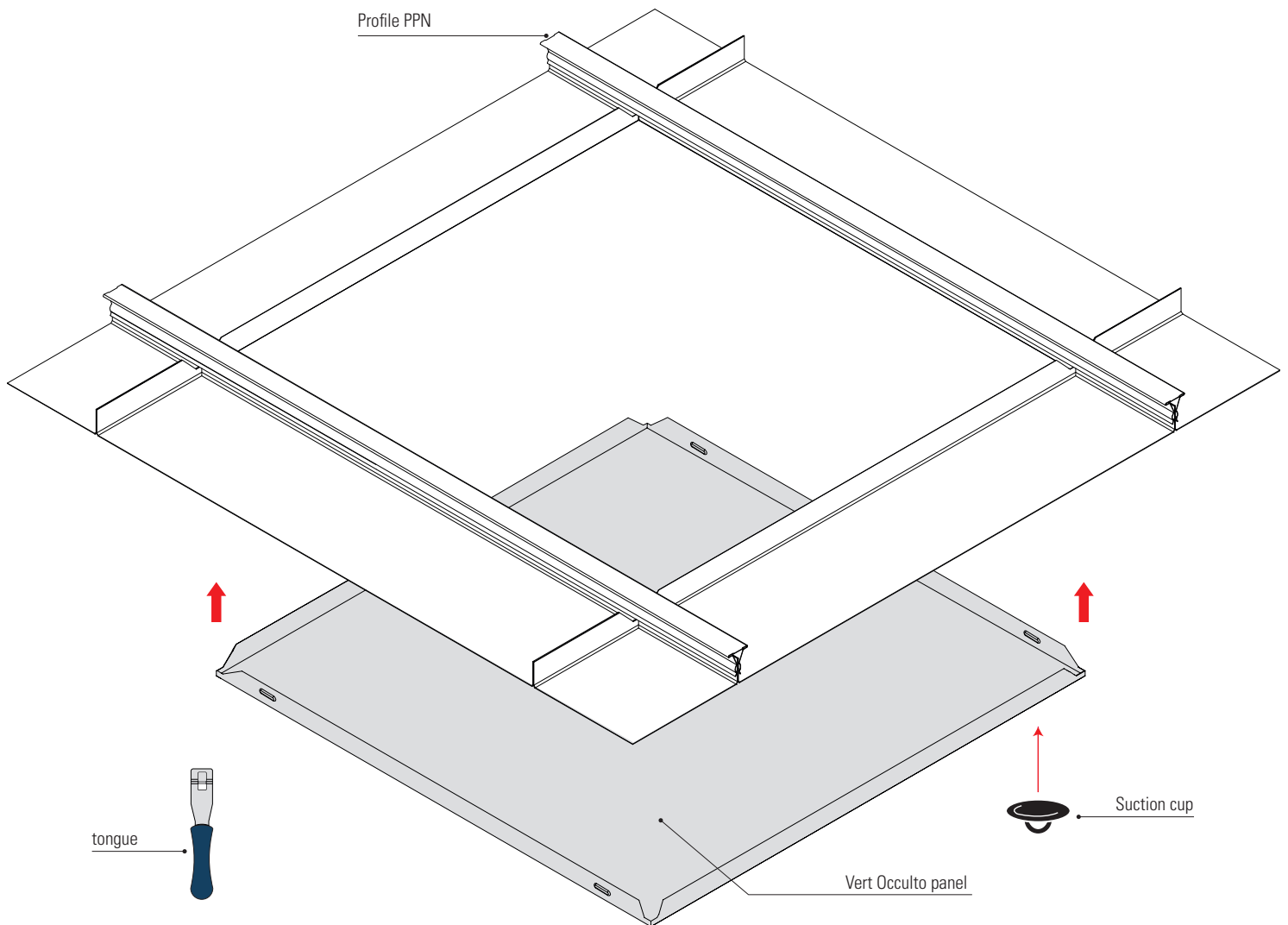
module 600x600



module 600x1200

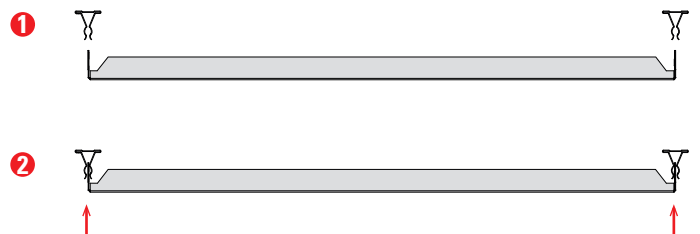


MOUNTING



DESCRIPTION

1. Position and centre the panel between the PPN profiles.
 2. Insert the panel vertically by fitting it inside the PPN profiles.
- Use the suction cup in the corner to access the panel.

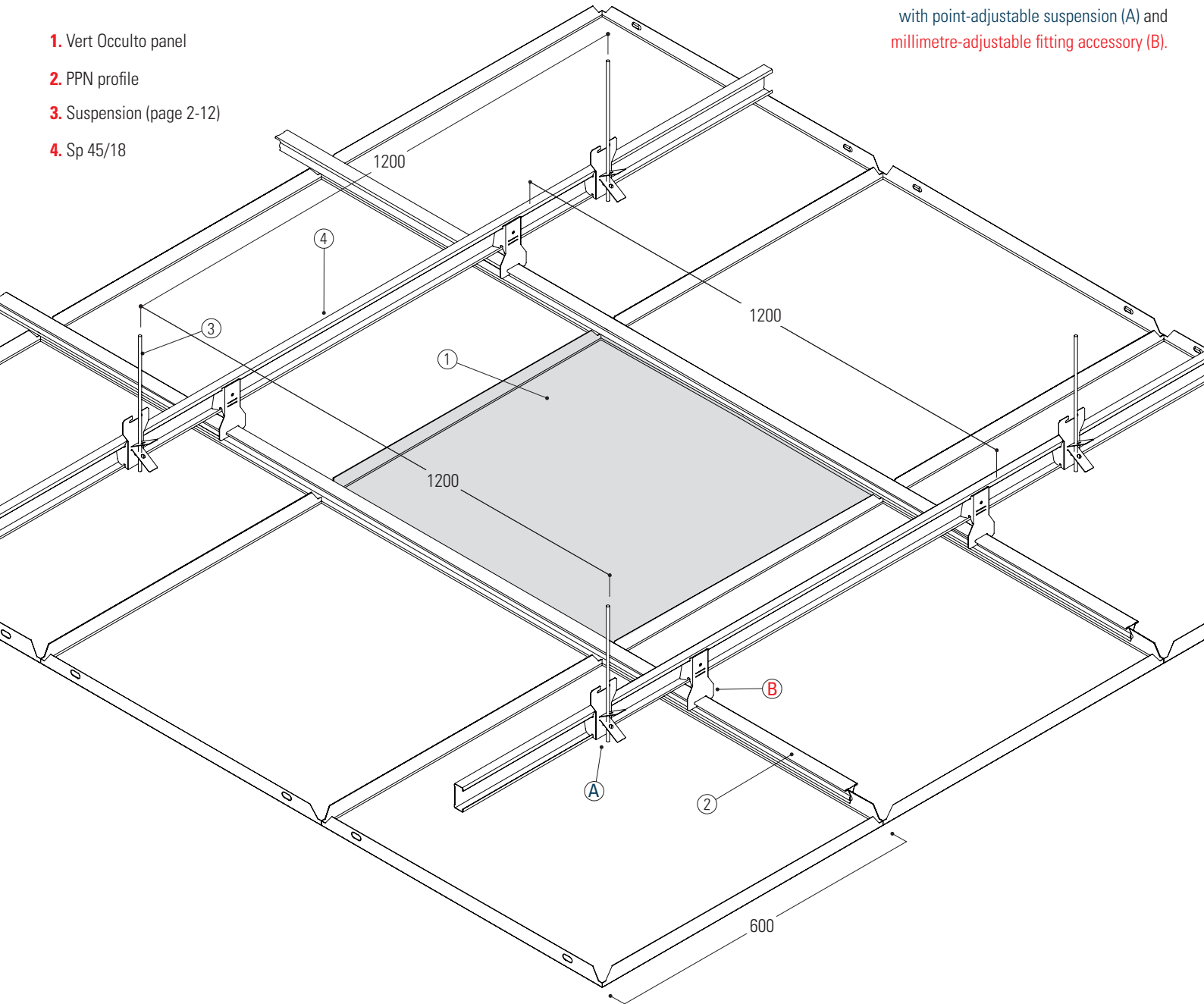




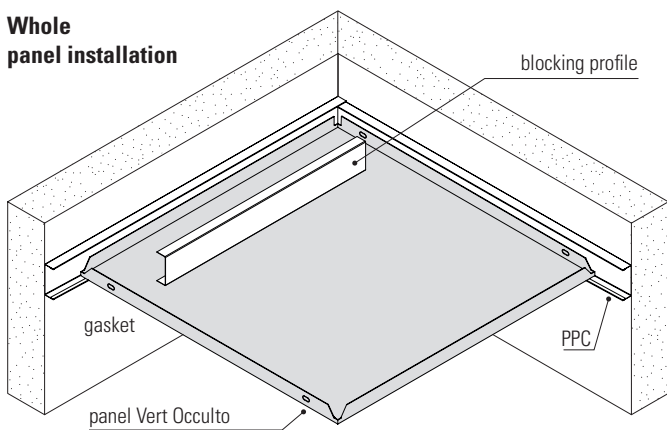
SYSTEM ELEMENTS

1. Vert Occulto panel
2. PPN profile
3. Suspension (page 2-12)
4. Sp 45/18

Simple double frame assembly system with point-adjustable suspension (A) and millimetre-adjustable fitting accessory (B).

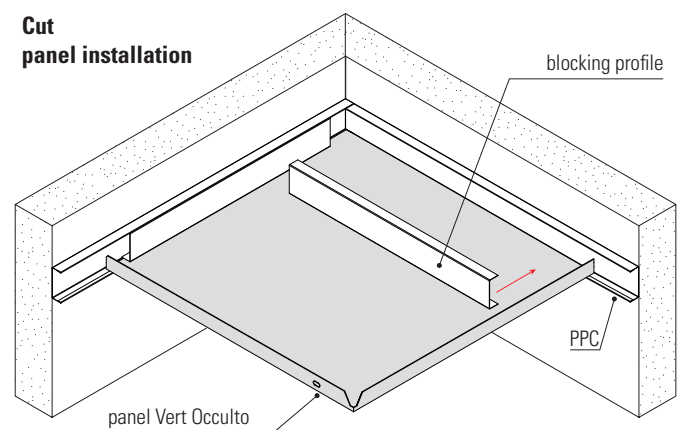


Whole panel installation



The illustration shows the assembly of the Vert Occulto panel (whole) resting on the "C" perimeter. The insertion of the locking profile is recommended to prevent the panel from lifting.

Cut panel installation

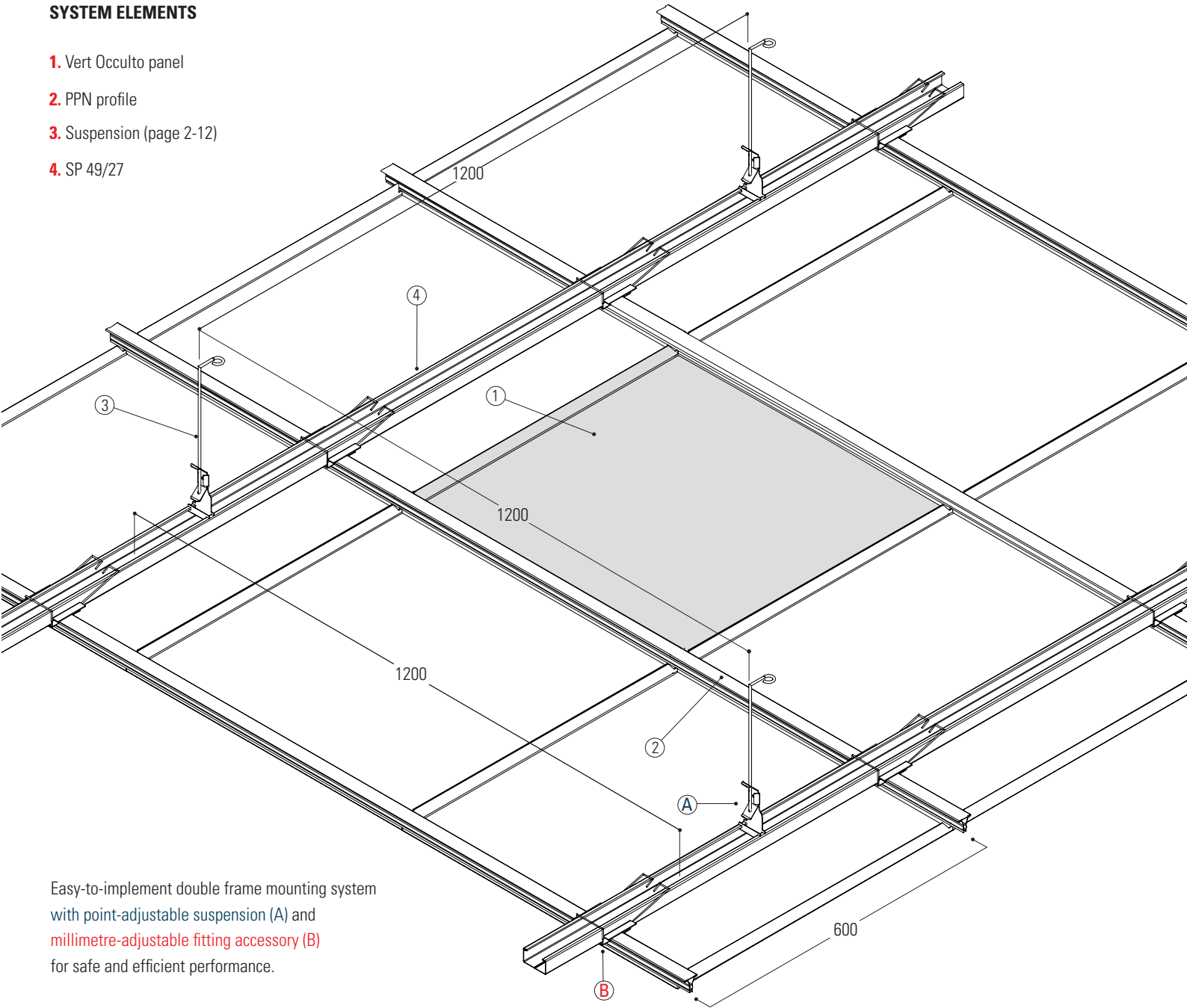


The illustration shows the installation of Vert Occulto panel (cut) resting on the "C" perimeter with the addition of a second locking "C" profile to ensure coplanarity.



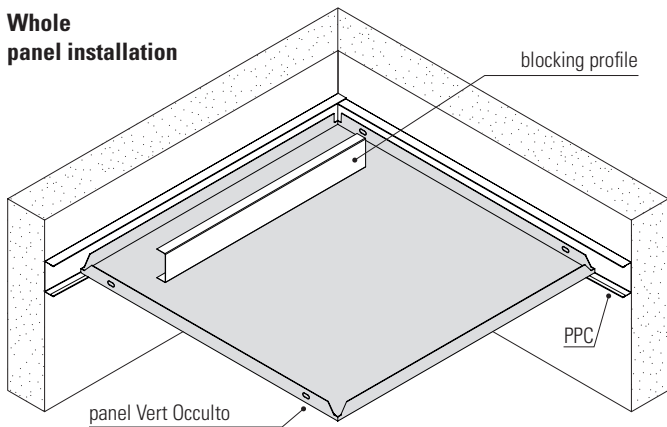
SYSTEM ELEMENTS

1. Vert Occulto panel
2. PPN profile
3. Suspension (page 2-12)
4. SP 49/27



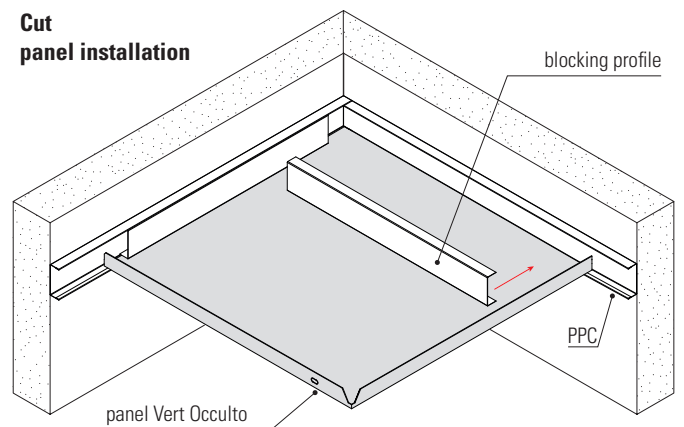
Easy-to-implement double frame mounting system with point-adjustable suspension (A) and millimetre-adjustable fitting accessory (B) for safe and efficient performance.

Whole panel installation



The illustration shows the installation of the Vert Occulto panel (whole) resting on the 'C' perimeter. The insertion of the locking profile is recommended to prevent the panel from lifting.

Cut panel installation



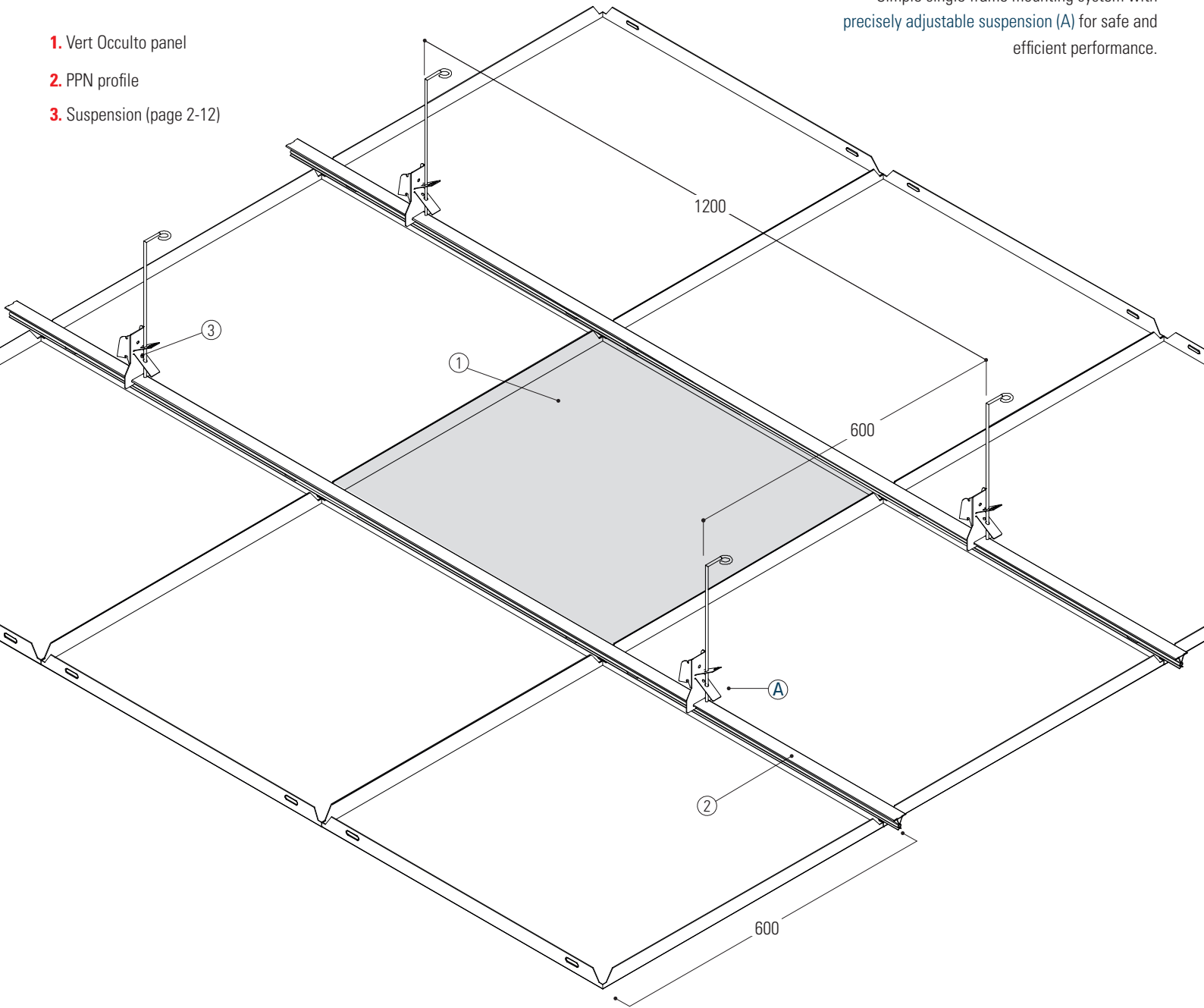
The illustration shows the Vert Occulto panel being installed (cut) against the "C" perimeter, with the addition of a second locking "C" profile to guarantee coplanarity.



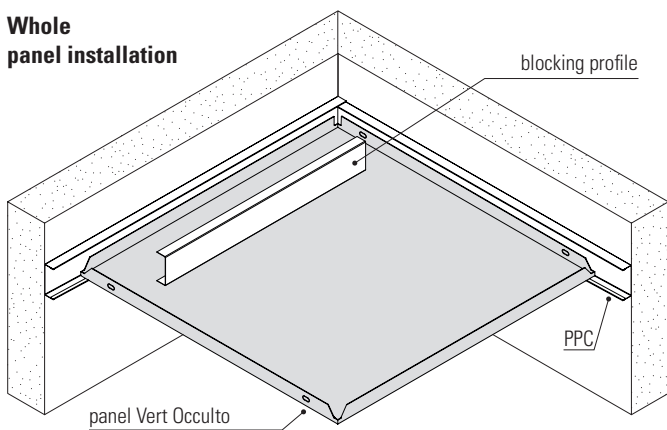
SYSTEM ELEMENTS

1. Vert Occulto panel
2. PPN profile
3. Suspension (page 2-12)

Simple single frame mounting system with precisely adjustable suspension (A) for safe and efficient performance.

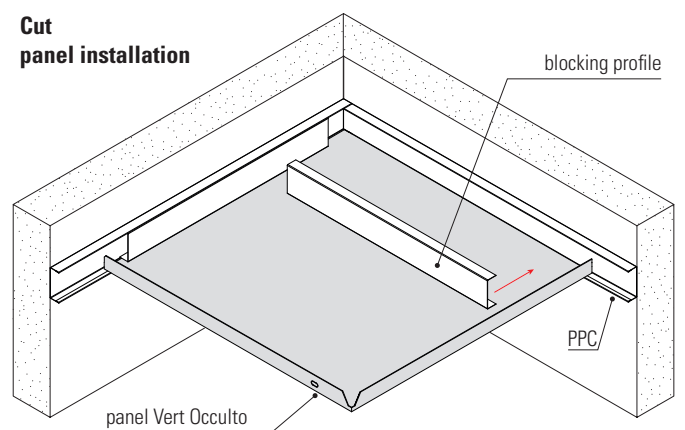


Whole panel installation



The illustration shows the installation of the Vert Occulto panel (whole) resting on the 'C' perimeter. The insertion of the locking profile is recommended to prevent the panel from lifting.

Cut panel installation



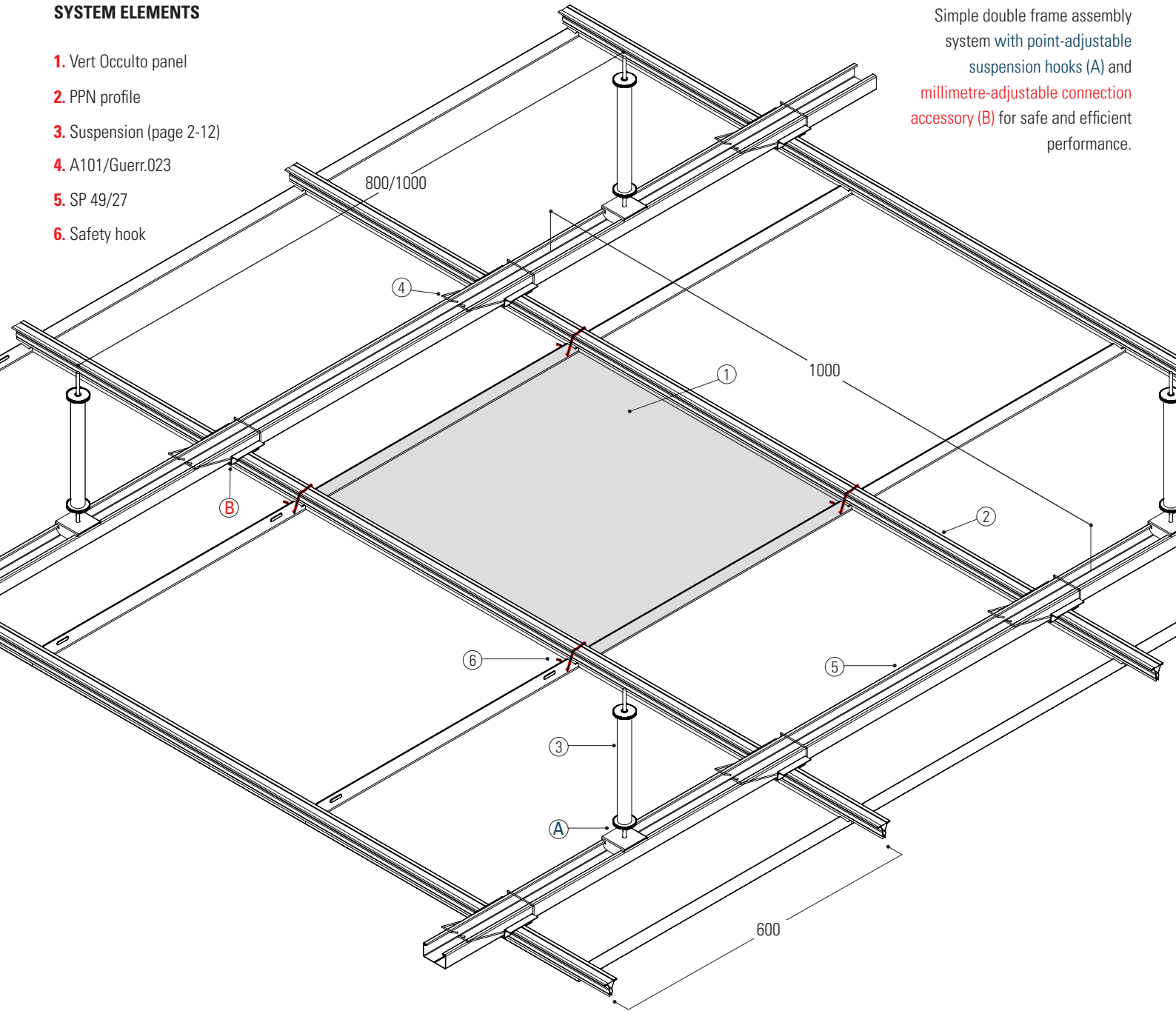
The illustration shows the installation of the Vert Occulto panel (cut) resting on the "C" perimeter with the addition of a second locking 'C' profile to ensure coplanarity.



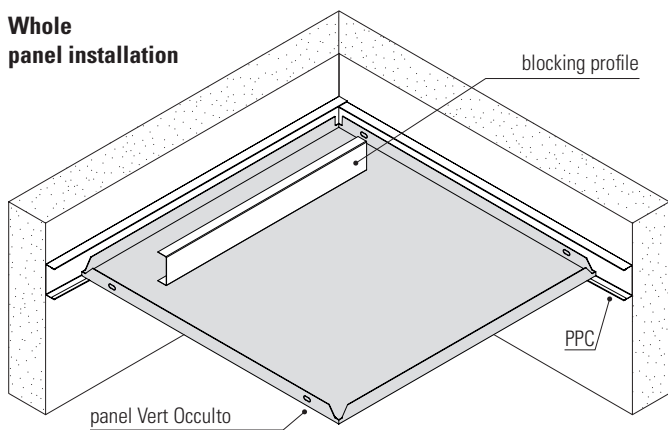
SYSTEM ELEMENTS

1. Vert Occulto panel
2. PPN profile
3. Suspension (page 2-12)
4. A101/Guerr.023
5. SP 49/27
6. Safety hook

Simple double frame assembly system with point-adjustable suspension hooks (A) and millimetre-adjustable connection accessory (B) for safe and efficient performance.

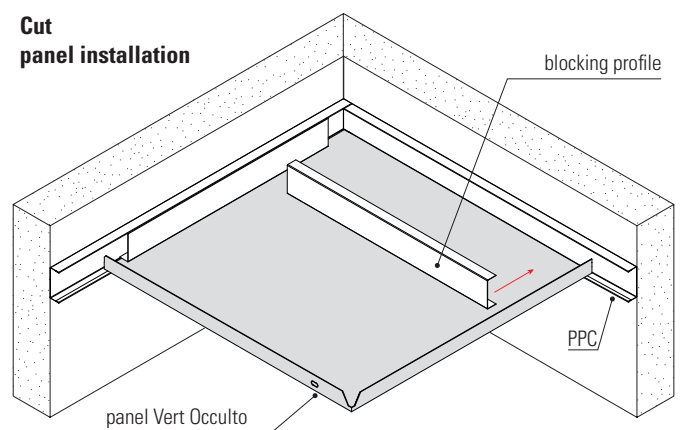


Whole panel installation



The illustration shows the assembly of the Vert Occulto (full) panel lying on the 'C' perimeter. The insertion of the blocking profile is recommended to prevent the panel from lifting.

Cut panel installation



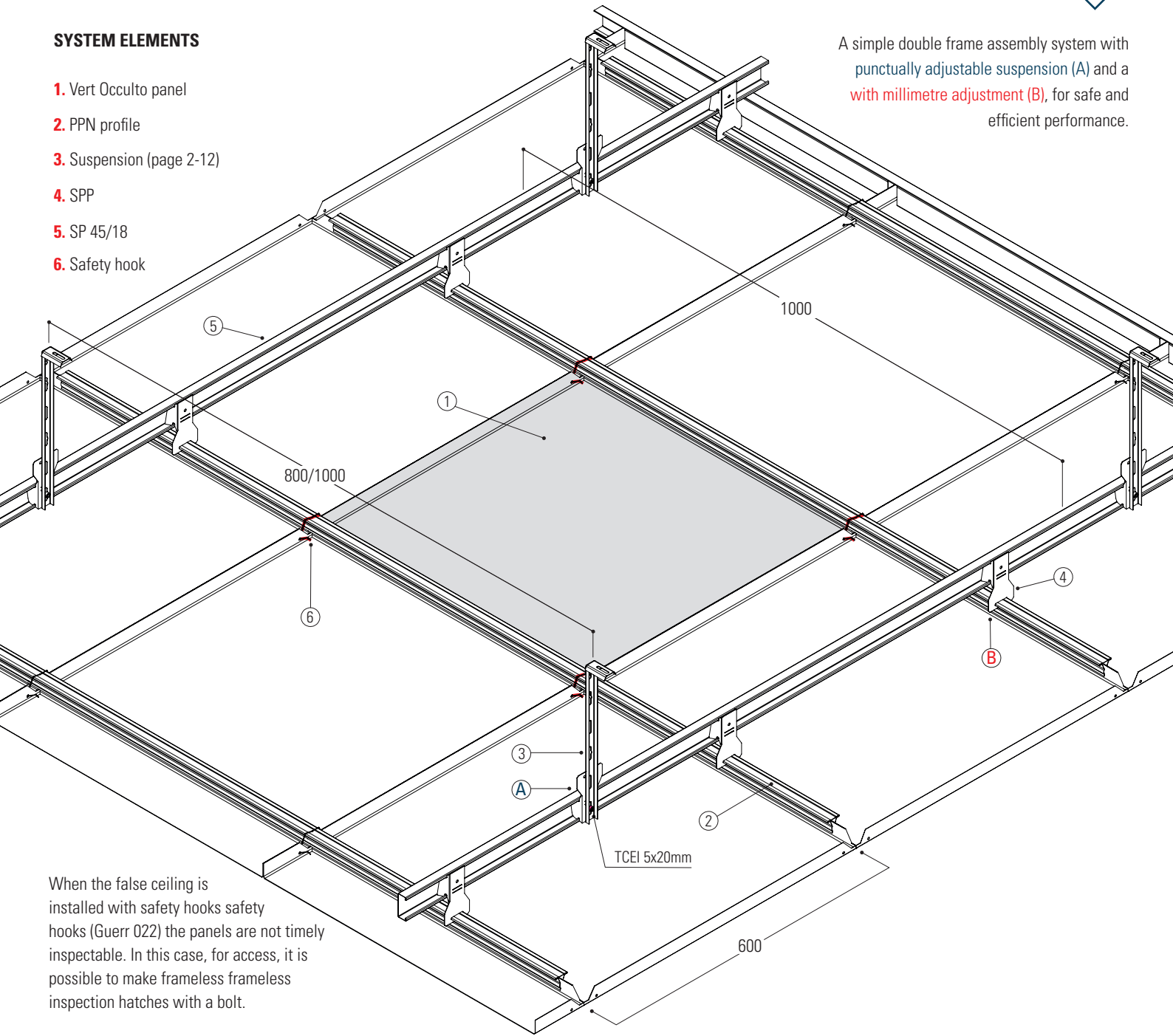
The illustration shows the installation of the Vert Occulto panel (cut) lying on the "C" perimeter with the addition of a second "C" blocking profile to guarantee a better stability.



SYSTEM ELEMENTS

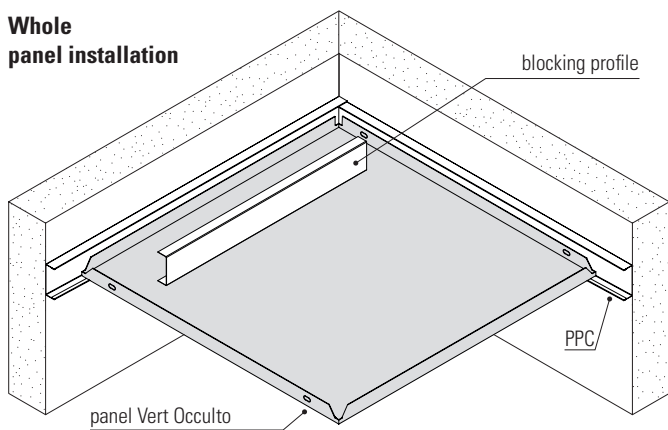
- 1. Vert Occulto panel
- 2. PPN profile
- 3. Suspension (page 2-12)
- 4. SPP
- 5. SP 45/18
- 6. Safety hook

A simple double frame assembly system with punctually adjustable suspension (A) and a millimetre adjustment (B), for safe and efficient performance.



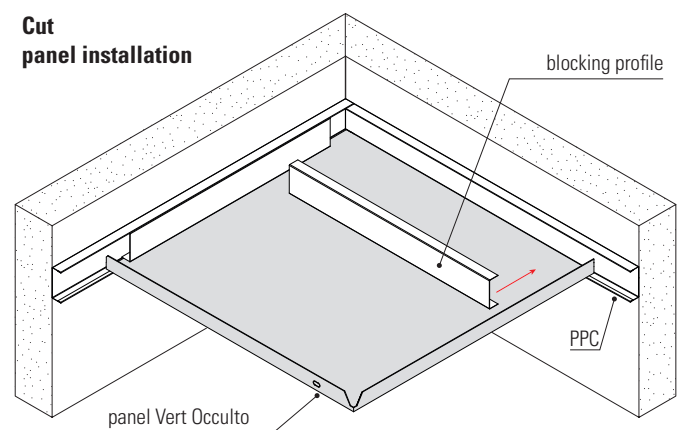
When the false ceiling is installed with safety hooks safety hooks (Guerr 022) the panels are not timely inspectable. In this case, for access, it is possible to make frameless frameless inspection hatches with a bolt.

Whole panel installation



The illustration shows the installation of the Vert Occulto (full) panel resting on the 'C' perimeter. The insertion of the locking profile is recommended to prevent the panel from lifting.

Cut panel installation

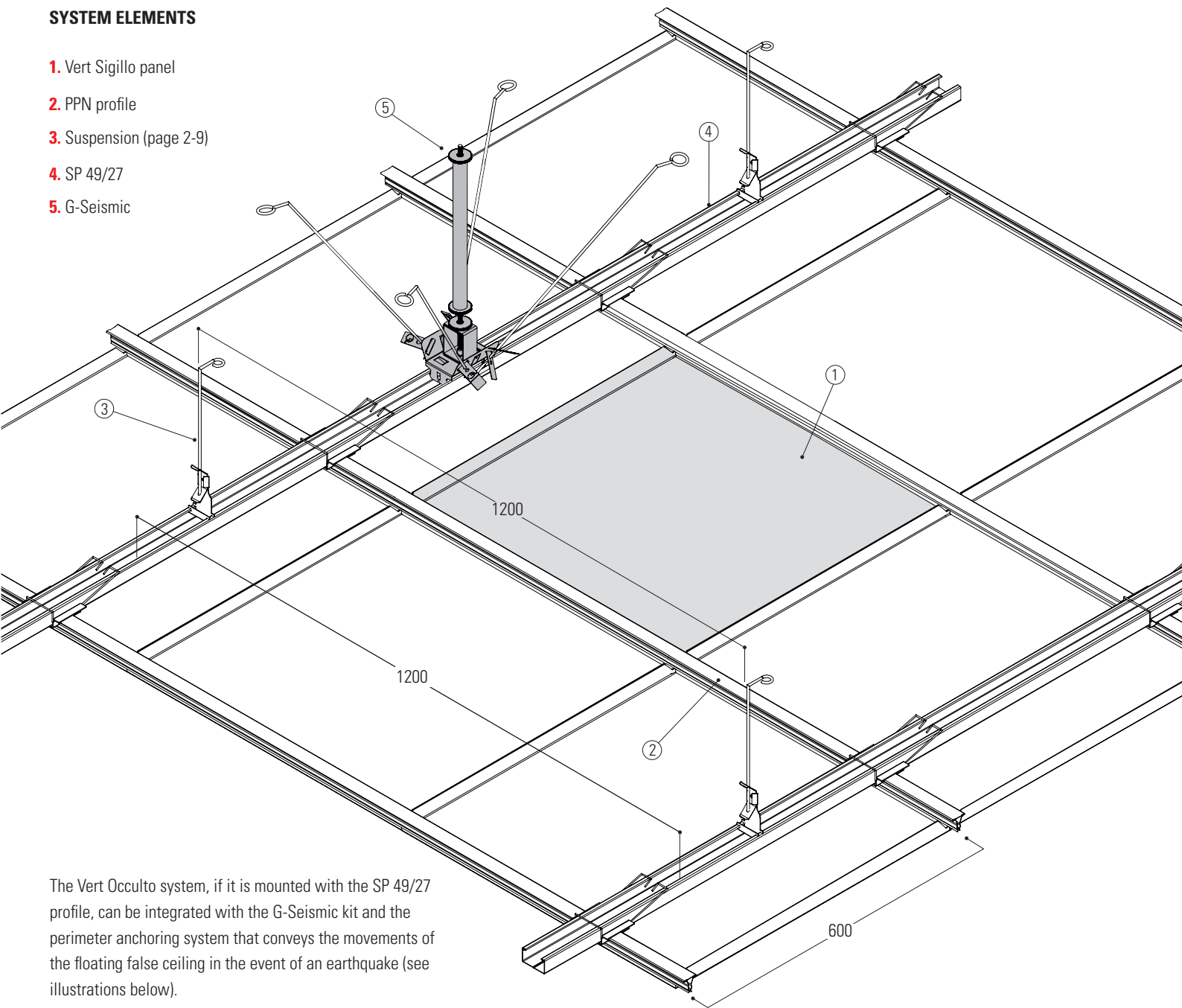


The illustration shows the installation of the Vert Occulto panel (cut out) resting on the "C" perimeter with the addition of a second locking "C" profile. to guarantee a better stability

DOUBLE FRAME WITH ANTI-SEISMIC KIT

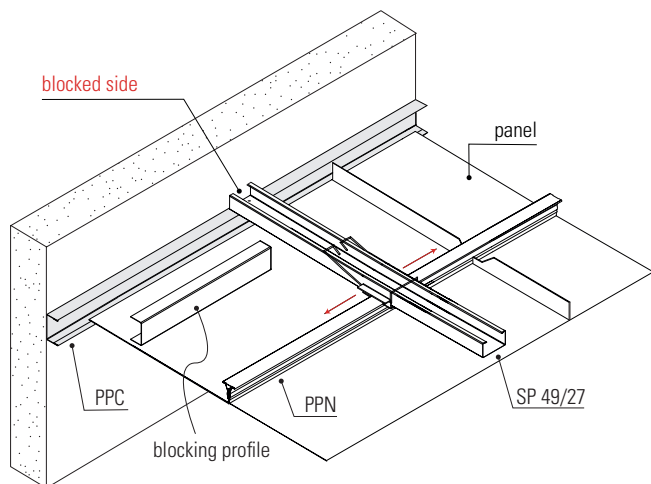
SYSTEM ELEMENTS

- 1. Vert Sigillo panel
- 2. PPN profile
- 3. Suspension (page 2-9)
- 4. SP 49/27
- 5. G-Seismic

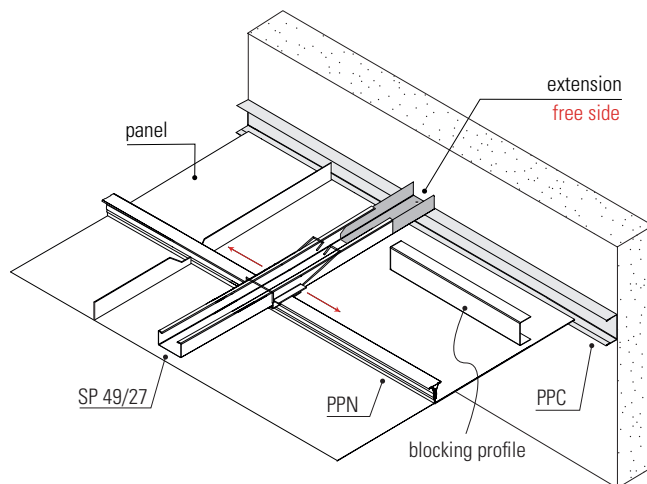


The Vert Occulto system, if it is mounted with the SP 49/27 profile, can be integrated with the G-Seismic kit and the perimeter anchoring system that conveys the movements of the floating false ceiling in the event of an earthquake (see illustrations below).

Blocked side structure assembly

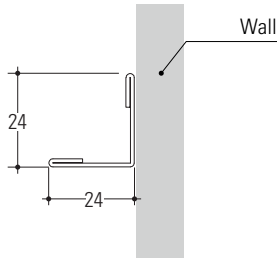


Free side structure installation

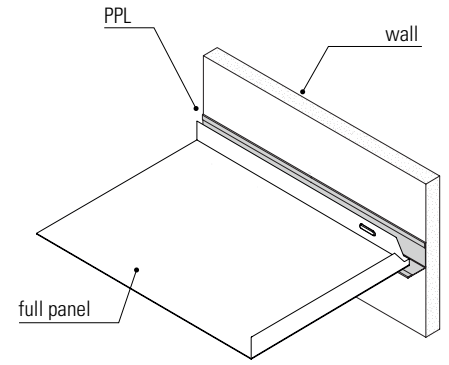


PERIMETER PROFILES

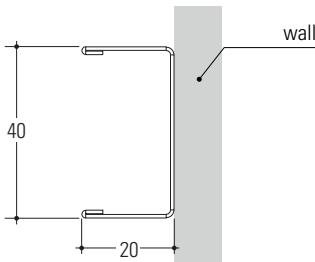
PPL



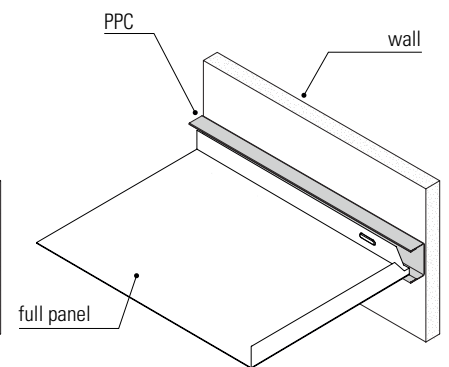
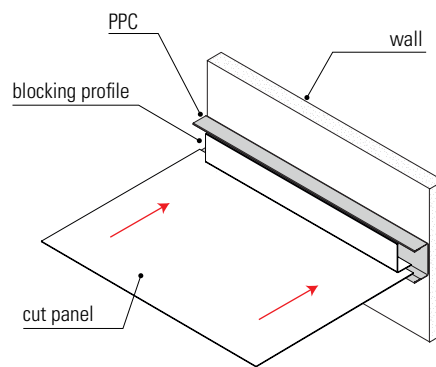
PPL is a classic "L" perimeter profile suitable for application with Vert Occulto-type panels. The adjacent illustration shows the application of the 'PPL' profile on the wall, with the Vert Occulto panel laying on it.



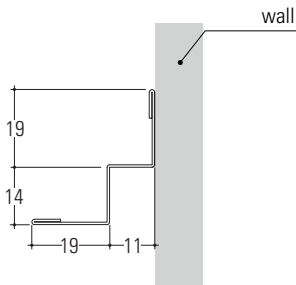
PPC



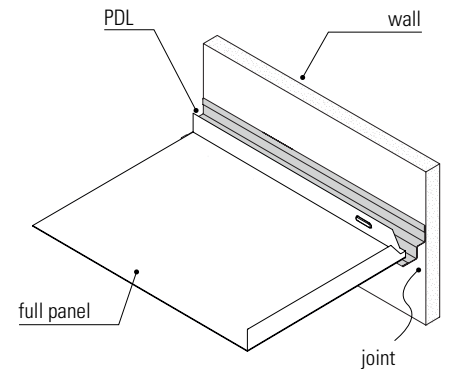
In addition to its function as a perimeter profile, has the characteristic of making a cut metal panel coplanar. The profile allows perfect integration with a cut or full panel. The adjacent illustration shows the application of the **PPC** profile on the wall, and the Vert Occulto panel lying on it. In the case of a cut panel, a "C" profile is added to blocking profile to ensure coplanarity.



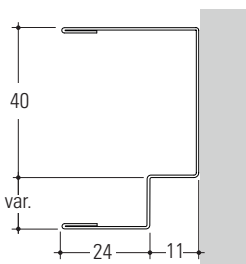
PDL



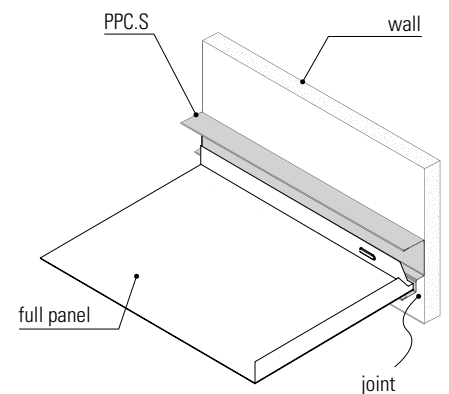
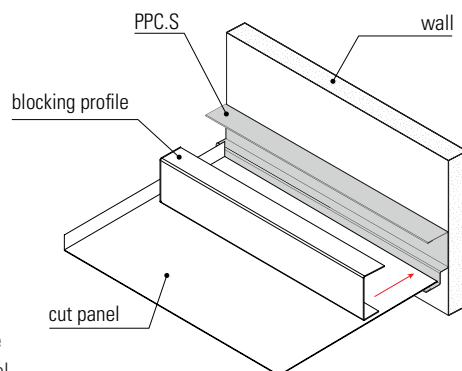
The adjacent representation shows the application of the **PDL** profile on the wall, and the Vert Occulto panel lying on it.



PPC.S

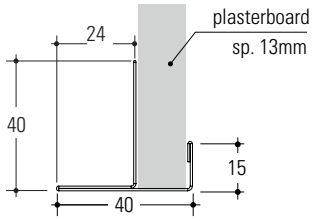


The **PPC.S** not only acts as a perimeter profile, it also creates a variable height joint. It has the possibility of integrating the anti-seismic accessory into it, which guarantees higher safety for the entire system in the event of seismic action. In the case of a cut panel, a blocking 'C' profile is added to guarantee coplanarity.

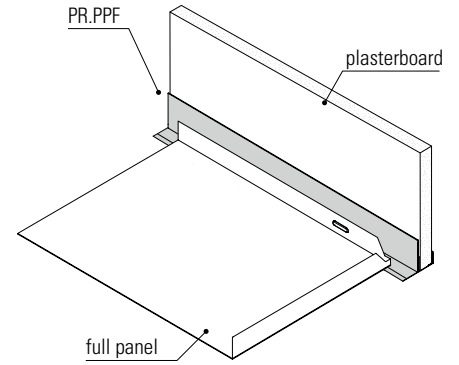


CONNECTION PROFILES

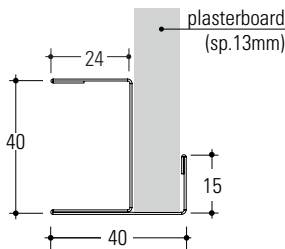
PR.PPF



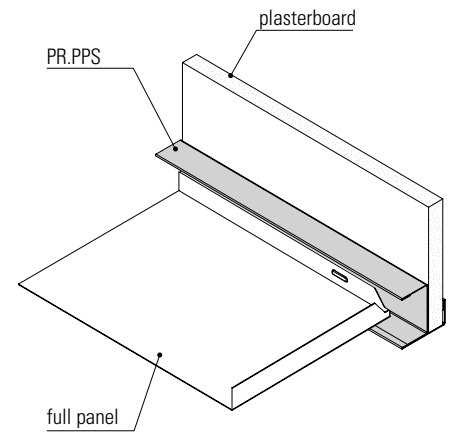
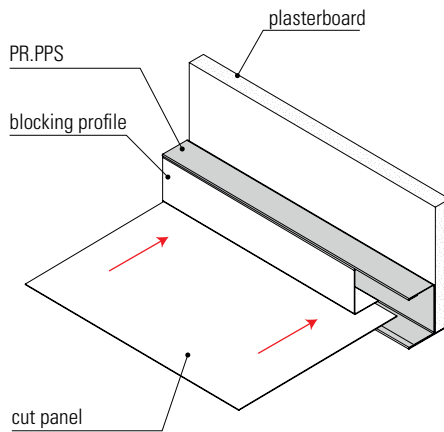
PR.PPF connection profile for vertical soffit and false ceiling. The adjacent illustration shows the application of the 'PR.PPF' profile on a plasterboard panel (13mm thick) and the Vert Occulto panel lying on it.



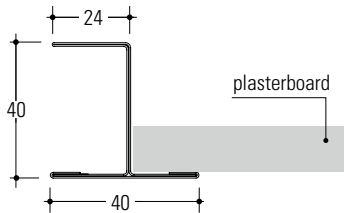
PR.PPS



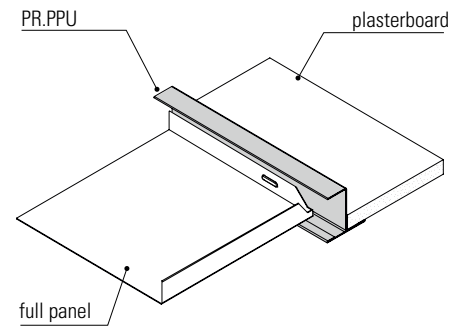
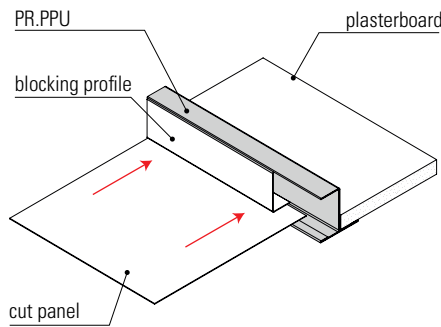
PR.PPS connection profile for vertical soffit and false ceiling. The profile allows perfect integration with cut or full panel. The adjacent illustration shows the application of the 'PR.PPS' profile on a plasterboard panel (13mm thick) with the Vert Occulto panel in place. In the case of a cut panel, a blocking 'C' profile is added to guarantee the coplanarity.



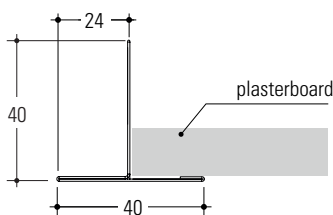
PR.PPU



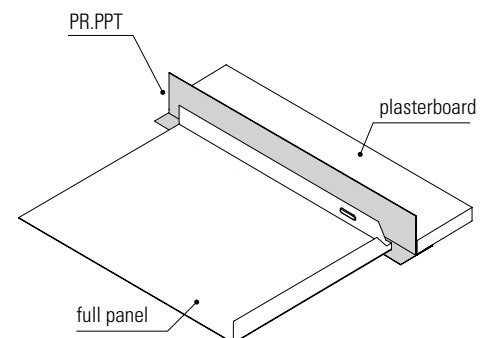
PR.PPU connection profile for horizontal compensation and false ceiling, suitable for installation with Vert Occulto type system. The profile allows perfect integration with cut or full panel. The adjacent illustration shows the application of the 'PR.PPU' profile on a horizontal plasterboard compensation (13mm thick) and the Vert Occulto panel lying on it. In the case of a cut panel, a 'C' blocking profile is added to ensure coplanarity.



PR.PPT



PR.PPT connection profile for horizontal compensation and false ceiling. The adjacent illustration shows the application of the 'PR.PPT' profile and the panel Vert Occulto panel laying on it.

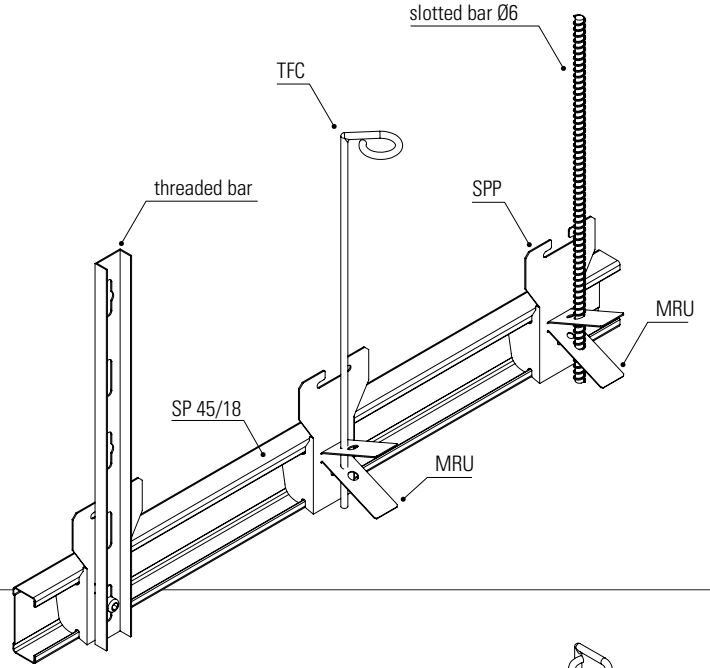


SUSPENSIONS

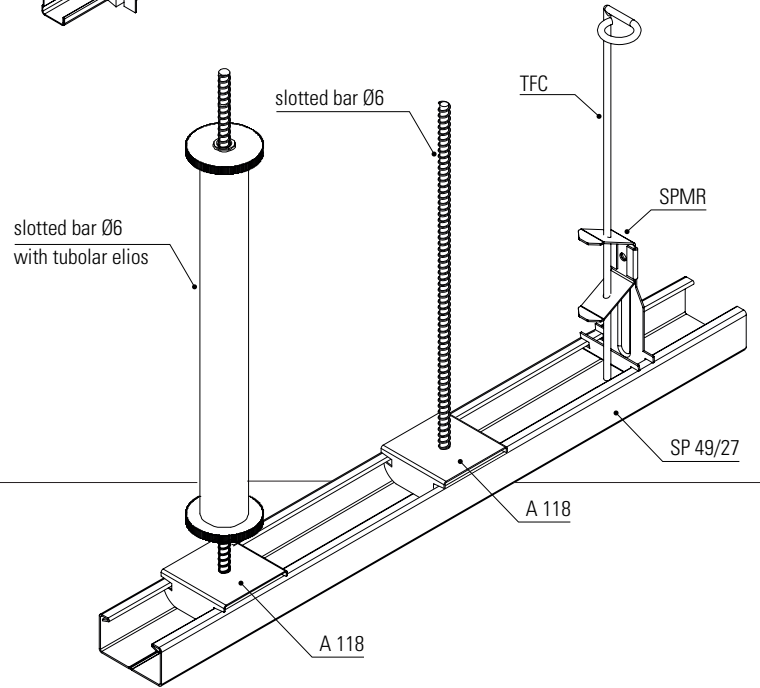
DESCRIPTION

The Vert Occulto system has the option of different types of suspension, each of which has its own characteristics that make it suitable effective and safe. The assembly of the suspensions is simple, intuitive and practical. They all have millimetric adjustment during installation. For outdoor installation, the Vert Occulto system uses rigid suspensions (slotted bar and threaded bar with A118), unlike the standard suspensions used for indoor installation.

SUSPENSIONS SUITABLE FOR DOUBLE FRAME SYSTEM SP 45/18

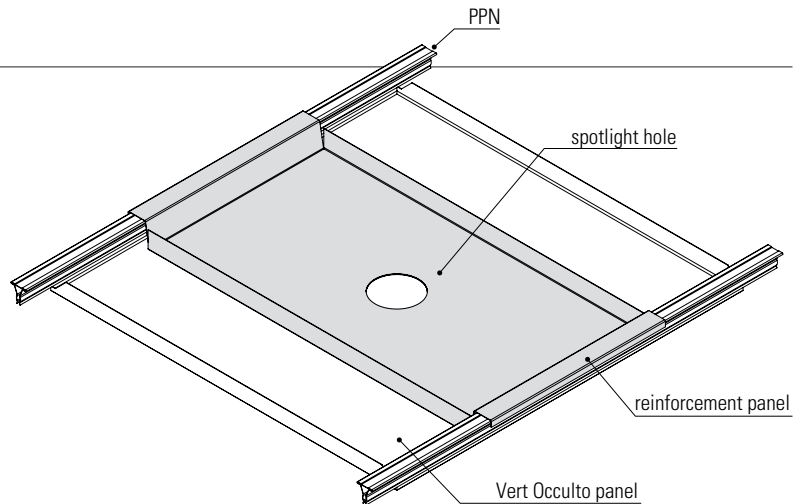


SUSPENSIONS SUITABLE FOR DOUBLE FRAME SYSTEM SP 49/27



DESCRIPTION OF REINFORCEMENT PANEL

The reinforcement panel is installed easily and intuitively. It is positioned above the Vert Sigillo panel, hooking onto the sides of the "PPN" profile with subsequent fixing, thus allowing for an effective and secure hold once the spotlight has been applied.



NORMATIVE REFERENCES

- Construction product according to Regulation (EU) 305/2011
- CE marking in accordance with EN 13964
- Sheet metal quality and cladding grade in accordance with EN 10143 and EN 10346

CE MARKING

The product indicated in this data sheet is intended for use inside buildings. It is provided with a Declaration of Performance (DoP). Reaction to fire: class A1/Durability: class B (Building components exposed to variable relative humidity up to 90% and temperatures up to 30°C but without corrosive agents, except class C5-M products).

LEED PROTOCOL

This certification is establishing itself as the new world standard for environmentally friendly construction and promotes a sustainability-oriented approach. Evaluation on integrated process, optimisation of energy performance, construction and demolition waste management planning, interior lighting and acoustic performance.

PRODUCT STORAGE

Store parcels in covered places with a relatively dry atmosphere and at a temperature as constant as possible to avoid condensation phenomena that can reduce the passivation state protecting the galvanised surface. In the event of external storage (not recommended), use a cover that ensures perfectly protect the material against the weather (rain, fog, snow), taking care to place the packages slightly inclined. This cover must in any case be such as to allow adequate ventilation (not putting the two surfaces in direct contact), so that moisture does not accumulate and create condensation.

PACKAGING MATERIAL

The packaging is made of cardboard with plastic bags inside containing the panels, all sealed with tape on the outside. The pallet is made of plastic strapping and a wooden wall. The packaging is suitably sized to facilitate handling in warehouses and on construction sites.

WARNINGS

Important warnings

- Please read the following warnings carefully as they are important instructions for safe installation, use and maintenance.
- After removing the product from its packaging, make sure that it is intact, otherwise contact the seller.
- Packaging elements (plastic bags etc.) must not be left within reach of children as they are potential sources of danger.
- Failure to comply with the above may compromise the safety of the product.
- The manufacturer cannot be held liable for any damage resulting from improper, incorrect and unreasonable use.
- ed irragionevoli.

Important warnings

- The product must not be subject to modification; any modification voids the warranty and may render the product dangerous.
- Antonio Guerrasio s.r.l. shall not be held liable for any damage caused by its products not being assembled in accordance with the instructions.
- The products must be installed in a workmanlike manner.
- The product is also intended to be installed on normally flammable surfaces.



Recycling

the crossed-out bin serves as a reminder to collect the product separately from other waste at the end of its life or to return it to the retailer when purchasing a new appliance of an equivalent type. This helps to preserve the environment from contamination and promotes the recycling of product components. Unauthorised disposal is subject to sanctions in accordance with the law.

Warning

-All representations in this data sheet are indicative and fixing should be checked when choosing the system to be used.

Features subject to change and improvement without notice