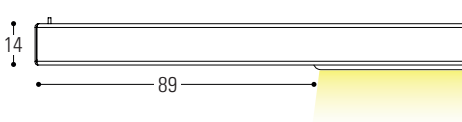




# VERT PETROL

LED TECHNOLOGY

Bordo a 90°



## DESCRIPTION

Recessed luminaire for lighting with high-yield LED technology. An elegant and modern style guaranteed by the integration inside the 'E' type strips. The luminaire is composed of an aluminium structure and a cladding panel that has the same material (aluminium or steel) and the same finish (pre-painted or post-painted) as the false ceiling and replaces all applications that hitherto involved the use of fluorescent and halogen tubes.

## TECHNICAL CHARACTERISTICS

**Panel material:** Aluminium (Alloy 3000H46)  
Galvanised steel

**Ceiling light material:** Aluminium (Alloy 3000H46)

**Colour:** Prepainted DONN-WHITE  
Silver  
Mirror-coated aluminium  
Post-painted RAL-NCS-Sublimed

**Panel thickness** 0,4 - 0,5 - 0,6 mm

**Body thickness:** 0,8 mm

**Internal driver:** Si

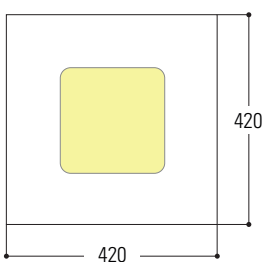
**Features:** DALI module  
Night light  
Presence sensor with self-adjustment  
Emergency module

**Standard modules:** 420x420 mm 90° edge

**Service life:** 50.000 hours

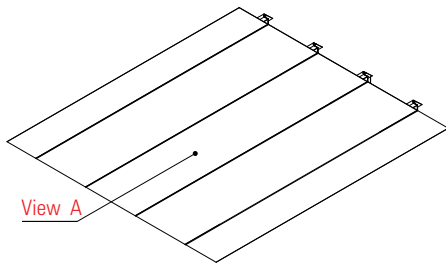
**LED Warranty:** 3 Years

**Product weight:** 4 kg

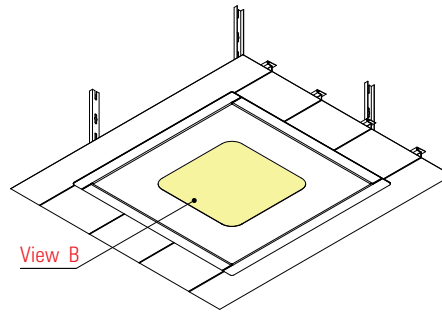


## ADVANTAGES AND APPLICATIONS

System with "E" type strips

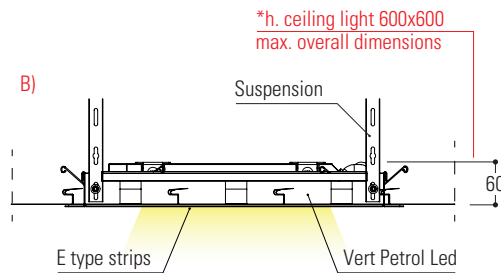
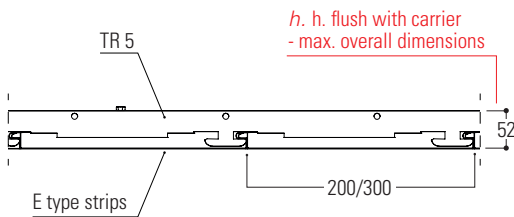


"E" type strip system with ceiling light



### DESCRIPTION

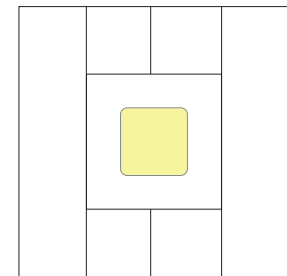
Thanks to its modern design, the **Vert Petrol** ceiling light allows perfect integration with the Type E slat system. The entire system is in concealed warp and together with the ceiling light can be inspected on time by means of a suction cup provided



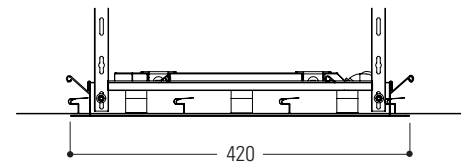
\*Overall dimensions | module 420x420  
- 60 mm ceiling light

## PERFORMANCE, CONSUMPTION AND MODULE

Vert Petrol is designed to offer homogeneous, flicker-free lighting suitable for installation in places where excellent visual performance is required (industrial buildings, warehouses, production areas, service areas, covered car parks). This LED panel offers excellent lighting performance for up to approximately 50,000 hours, with an estimated daily usage of 8 hours. Thanks to the integrated LED technology, this panel replaces older installations with halogen tubes with significantly lower consumption. The LED system, therefore, drastically lowers consumption while maintaining the same light intensity.



420x420 mm



Type	Dimensions	Power (W)	Luminous flux Lamp** (IM)	
			OPALE	UGR
Vert Petrol	420x420	70	122	8567

## EMERGENCY MODULE

An emergency module can be integrated into the ceiling light. It guarantees lighting autonomy even in the event of a power failure of up to 3 hours. This module is equipped with the standards shown in the table.

Autonomy	Capacity	Regulations	
3h	4,2 Ah	CEI EN 6154 7	CEI 61000-6- 3 CEI 2004/108
		IEC 60598-2-22	CE 2006/95 CEI EN 55015
			CEI EN 61000-4- 8 EN 6052 9

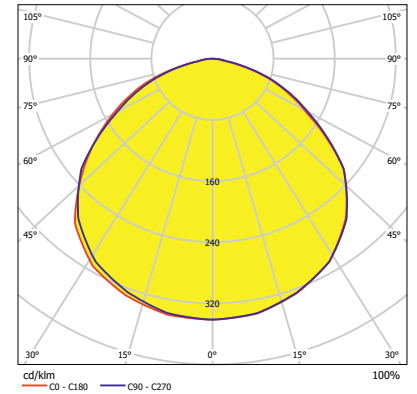
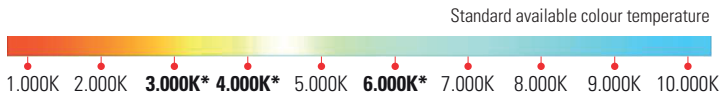
## OPTICAL GROUP

- Color rendering CRI>90 (CRI 80 available upon request)
- Photobiological risk 0 (exempt) protected from UV rays EN 62471
- Color temperature 3000K, 4000K and 6000K (LED diode selected 3 steps Mac Adam)
- Duration of the sources: LM 80/B10 > 50,000 at Ta = 25°C.

### Available optics:

#### Standard Version (OP)

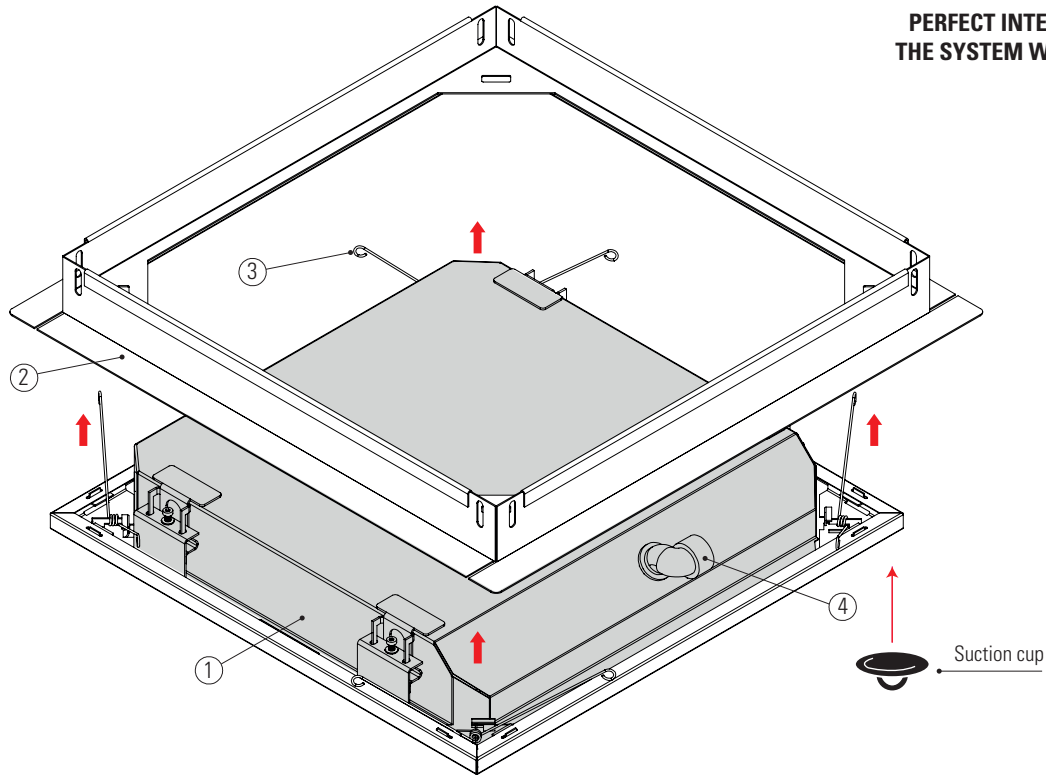
Plexiglass LED optics with high light transmission for uniform brightness



## INSTALLATION

### SYSTEM ELEMENTS

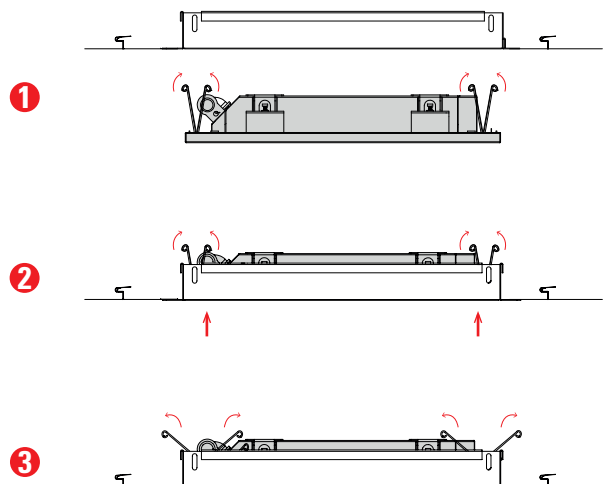
1. Vert Petrol
2. Hull
3. Harmonic spring
4. Feeding



### ASSEMBLY DESCRIPTION

Vert Petrol is installed in just a few steps:

1. Position and centre the ceiling light(1) on the hull(2) that houses the lighting fixture
  2. Tighten the springs(3) on the four sides of the ceiling light(1)
  3. Insert the springs(3) of the ceiling light(1) into the slots of the hull(2), then connect to the mains using the power supply socket(4)
- Push the ceiling light up to complete the assembly
  - Use the suction cup in the corner to inspect the ceiling light.

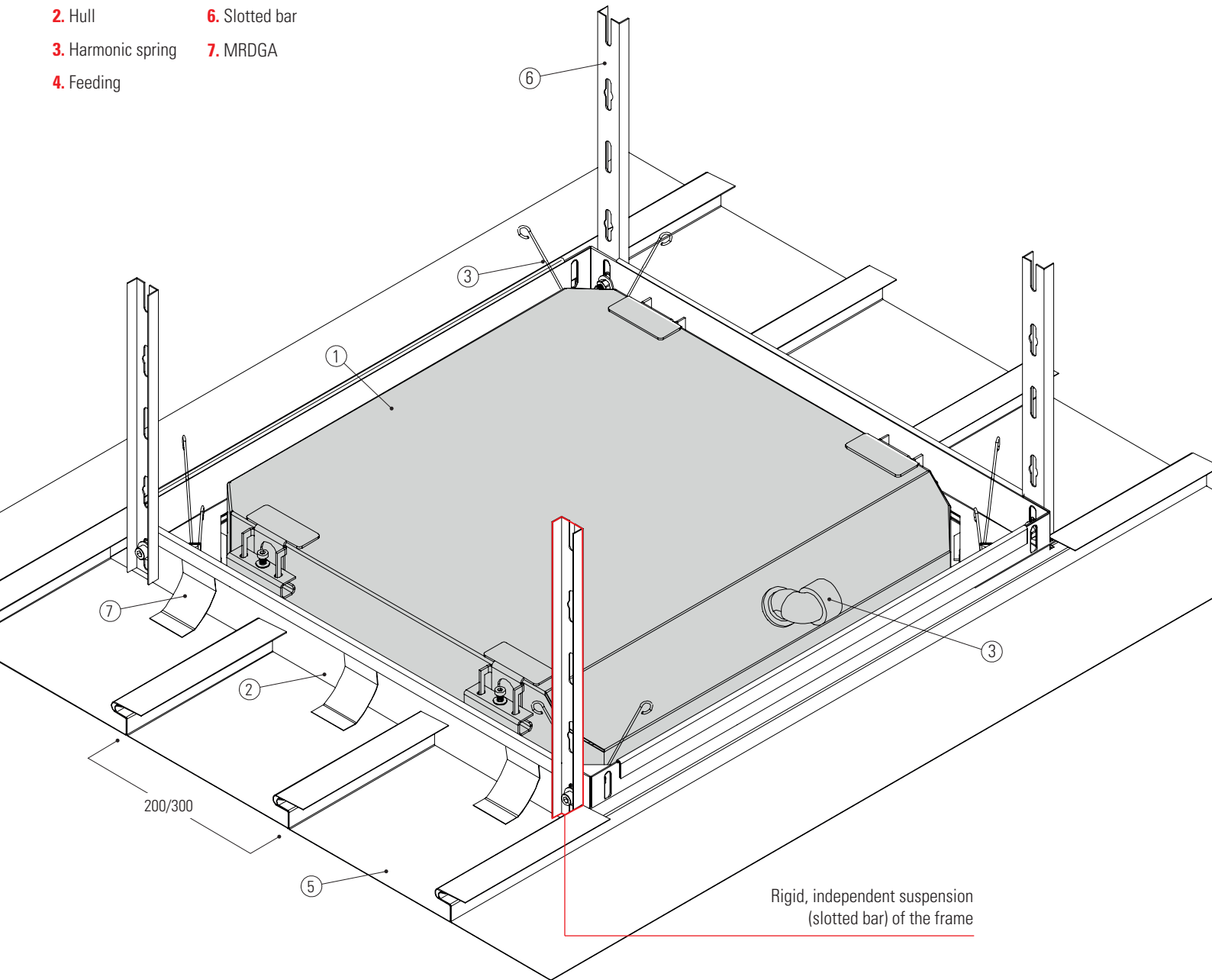


# VIEW POSITIONING FROM ABOVE

## SYSTEM ELEMENTS

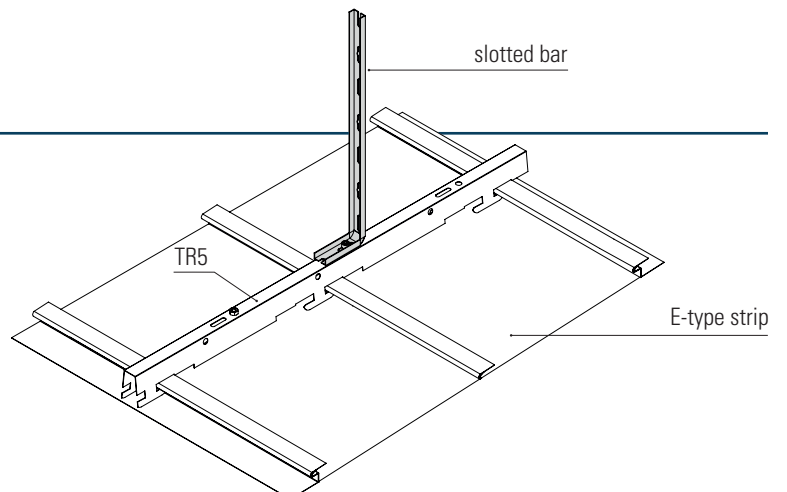
- 1. Vert Petrol
- 2. Hull
- 3. Harmonic spring
- 4. Feeding
- 5. E type strip
- 6. Slotted bar
- 7. MRDGA

## MOUNTING EXAMPLE ON STRIP "E"



## DESCRIPTION AND DETAILS

The detail shows one of the possible suspensions applicable on the 'E' type strip system, for other suspensions see the 'E' type strip data sheet at [www.vertebra.com](http://www.vertebra.com)

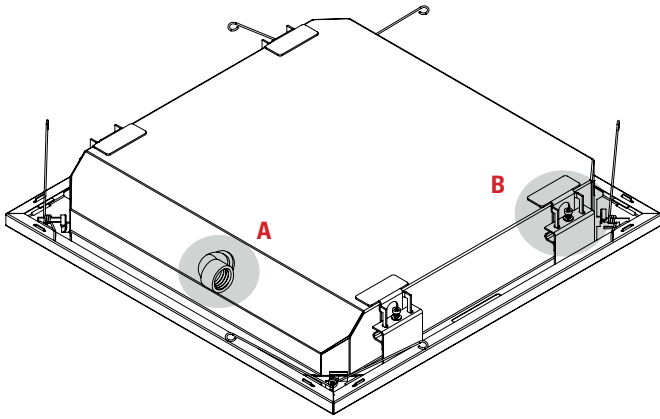


# POWER SUPPLY SOCKET AND SEAL

## A: POWER SUPPLY

230/240 - 50/60 Hz power supply with 0.75 mm<sup>2</sup> cross-section cable and PVC-HT sheathing flame retardant in accordance with CEI 20-35 and complying with CEI 20.20 and CEI CENELEC HD 21 standards. IP66 watertight connector 2P+E or 4P+E, maximum allowed cable cross-section 2.5 mm<sup>2</sup>. Insulation class I. Suitable for installation on normally flammable surfaces.

- Power supply EEI=A2 230-240, 50 - 60Hz. power factor > 0.95.

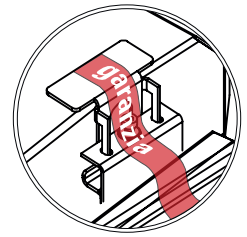


## B: CLOSING BRACKET AND SEAL

Closing bracket consisting of two parts :

- Upper bracket
- Lower sealing bracket on which the guarantee seal is affixed.

It is recommended not to remove the seal, as this would result in the loss of the product warranty.



# OTHER EQUIPMENT

Possible equipment of the Microprocessor Self-Test Module equipped with:

- Autonomy test
- Functionality test
- Routine tests

\*\*Luminous flux tolerance ±10%.

\*Dual Power possibility

\*RGB - DMX/ DALI system with localised touch panel

\*\*Power subject to minor (±5%) variations without notice

\*/\*\* see table page 2

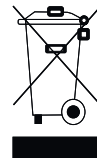
# WARNINGS

## General Warnings

- The luminaire is constructed in a workmanlike manner, and its electrical life will be more than sufficient if used correctly.
- Please read the following warnings carefully as they are important information for safe installation, use and maintenance.
- After removing the appliance from its packaging, ensure that it is undamaged, otherwise contact the seller.
- Packaging elements (plastic bags etc.) must not be left within reach of children as they are potential sources of danger.
- Before connecting the appliance, make sure that the rating plate data correspond to those of the electrical distribution network to which the appliance will be connected (the label with the rating plate data is located on the outside of the appliance).
- Before carrying out any cleaning or maintenance operations, disconnect the appliance from the mains power supply by switching off the circuit breaker; in the event of a fault, contact only professionally qualified personnel.
- Failure to do so may compromise the safety of the appliance.
- The manufacturer cannot be held liable for any damage resulting from improper, incorrect and unreasonable use.

## Important warnings

- The product must not be subject to modification, any modification voids the warranty and may render the product dangerous.
- Antonio Guerrasio s.r.l. shall not be held liable for any damage caused by its products not being assembled in accordance with the instructions.
- Any damaged components must be replaced with similar ones.
- The products must be installed in a workmanlike manner.
- In order to avoid dangerous overheating, it is recommended not to install the appliance in cramped spaces without air exchange.
- The appliance is also intended for installation on normally flammable surfaces.



## Recycling

In implementation of Directives 2002/95/EC, 2002/96/EC and 2003/108/EC ("on the reduction of the use of hazardous substances in electrical and electronic equipment and the disposal of waste") the crossed-out wheeled bin serves as a reminder to collect the product separately from other waste at the end of its life or to return it to the retailer when purchasing a new appliance of an equivalent type. This helps to preserve the environment from contamination and promotes the recycling of equipment components. Unauthorised disposal is subject to sanctions in accordance with the law.



IP66



Caratteristiche soggette a cambiamenti e miglioramenti senza preavviso