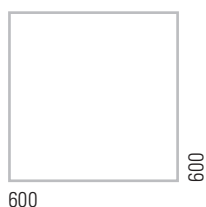
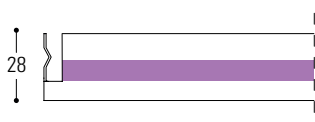


VERT SIGILLO

Edge 90°

Edge 90°



DESCRIPTION

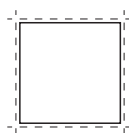
Vert Sigillo is an indoor false ceiling that prevents the passage of dust, is modular and is simple to install. The panels can be accessed on each point using suction cups, the edge is 90° and complete with gasket. The panel is made of aluminium, galvanised steel, stainless steel and can have an antimicrobial coating.

The harmony of the system is achieved by using the VertSigil Led light fixture and plenum (supply and return), integrated in the false ceiling.

TECHNICAL CHARACTERISTICS

European Standard:	CE - EN 13964
Durability:	Class B
Fire resistance:	A1
Sound absorption:	EN ISO 354
Standard colour:	Post-painted RAL - NCS - Sublimated (with optional antimicrobial paint) Pre-painted White - Silver - Mirror Aluminium
Standard material:	Aluminium (Alloy 3000H46) Galvanised steel (DX51DZ) Stainless steel
Standard thickness:	0,4 - 0,5 - 0,6 mm
Standard modules:	600x600 mm 90° edge 600x1200 mm 90° edge
Average system weight:	4-5 kg/mq

FINISHING

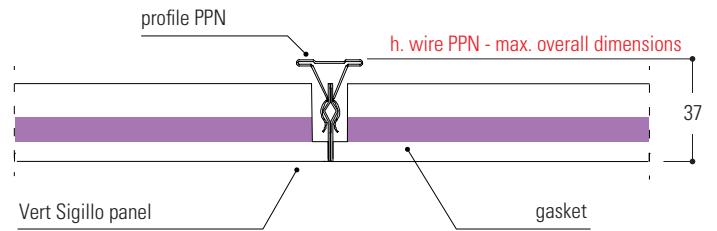


Smooth panel

ADVANTAGES AND APPLICATIONS

DESCRIPTION

The **Vert Sigillo** panel is composed of a membrane and a hidden structure which together form a linear effect in relief. The membrane is made up of a metal panel, 28 mm high with oblong bosses for hooking to the supporting structure. The panel can be mounted in a single frame (with PPN) and in a double frame (with SP 45/18 - SP 49/27). The panel, together with the perimeter, has gaskets which, at the time of installation, guarantee a high degree of insulation against the passage of dust.

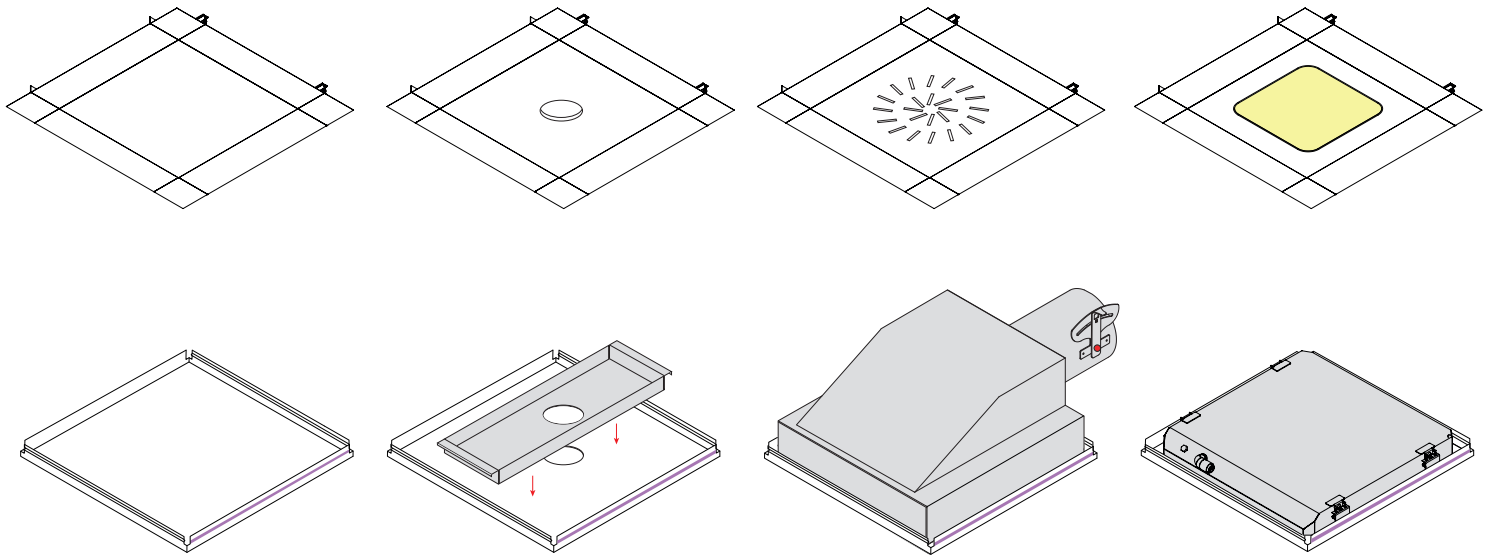


Standard system

System with reinforcement panel and spotlight hole

System with plenum

System with ceiling light

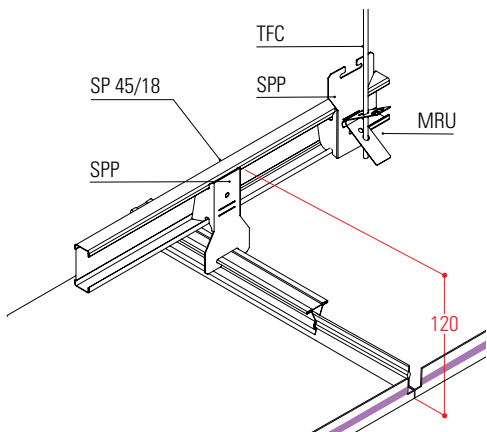


SINGLE AND DOUBLE FRAME

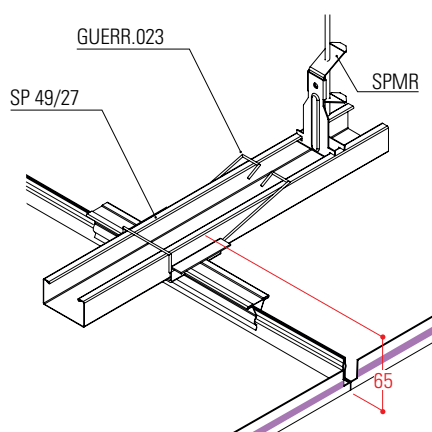
Max. installation space 120 mm

Max. installation space 65 mm

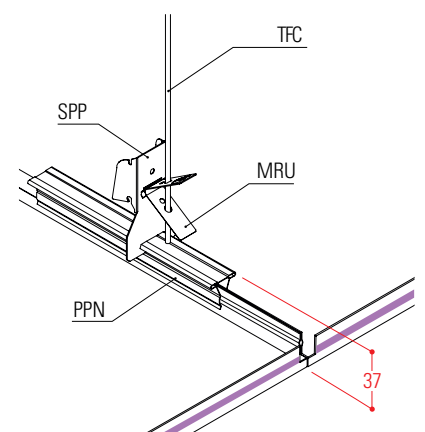
Max. installation space 37 mm



Double frame with SP 45/18



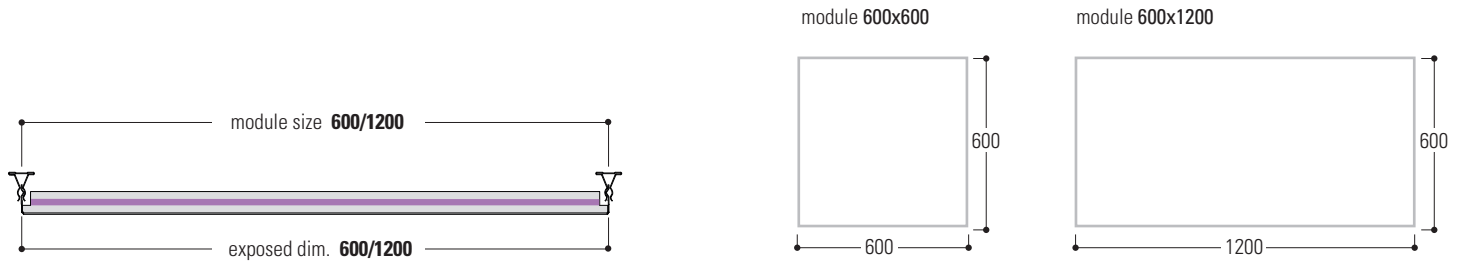
Double frame with SP 49/27



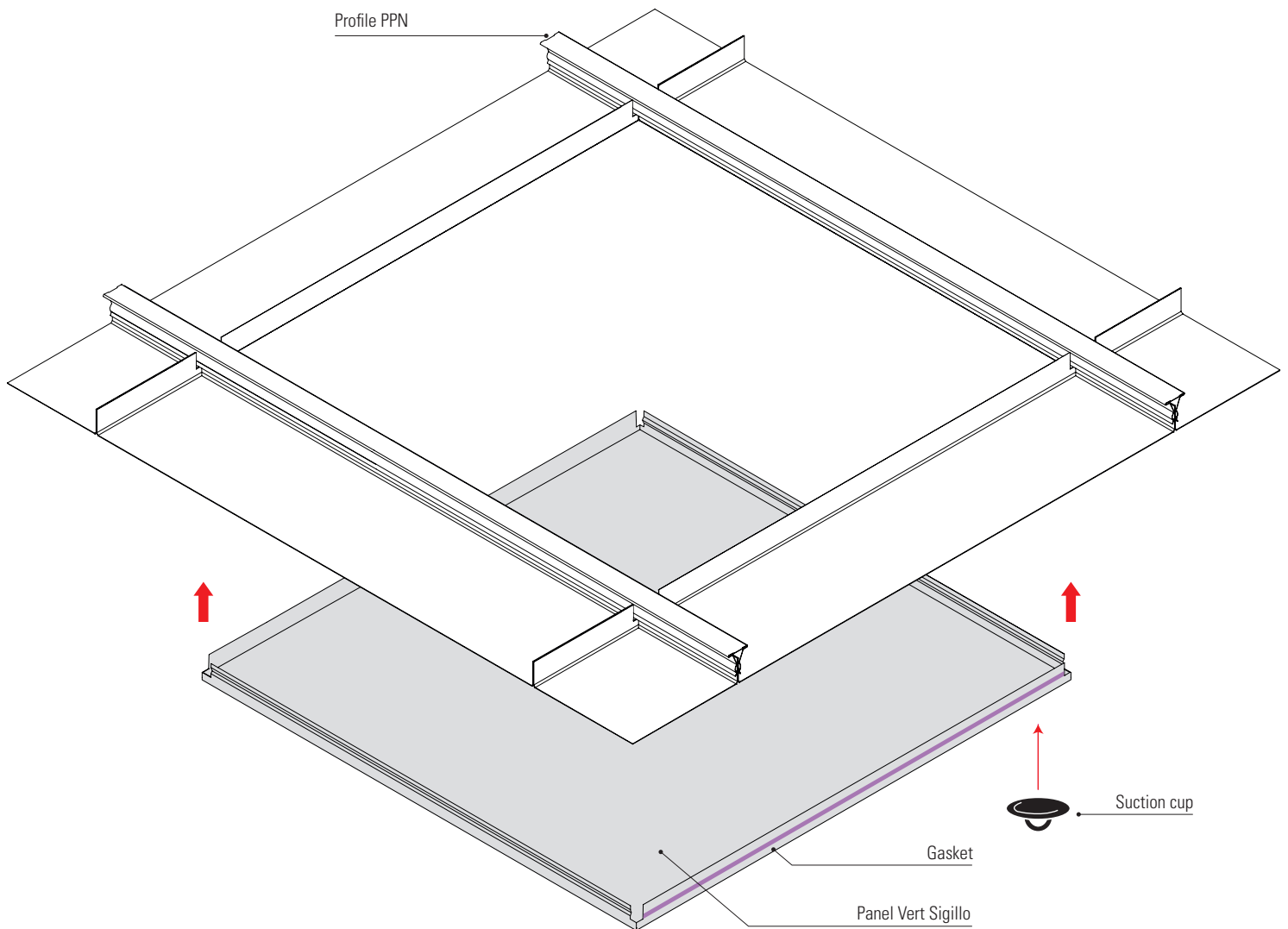
Single frame with PPN

MODULES AND DIMENSIONS

Different solutions can be implemented; with the possibility of different modules, you are able to create the right solution and meet every requirement.

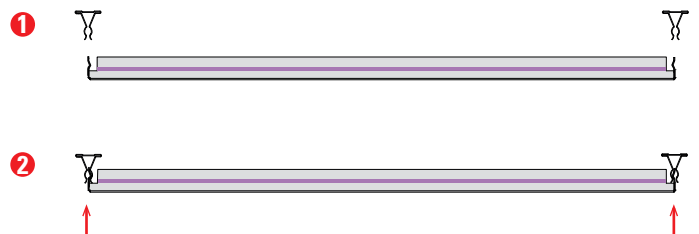


MOUNTING



DESCRIPTION

1. Position and centre the panel between the PPN profiles.
 2. Insert the panel vertically by fitting it inside the PPN profiles.
- Use the suction cup in the corner to access the panel.

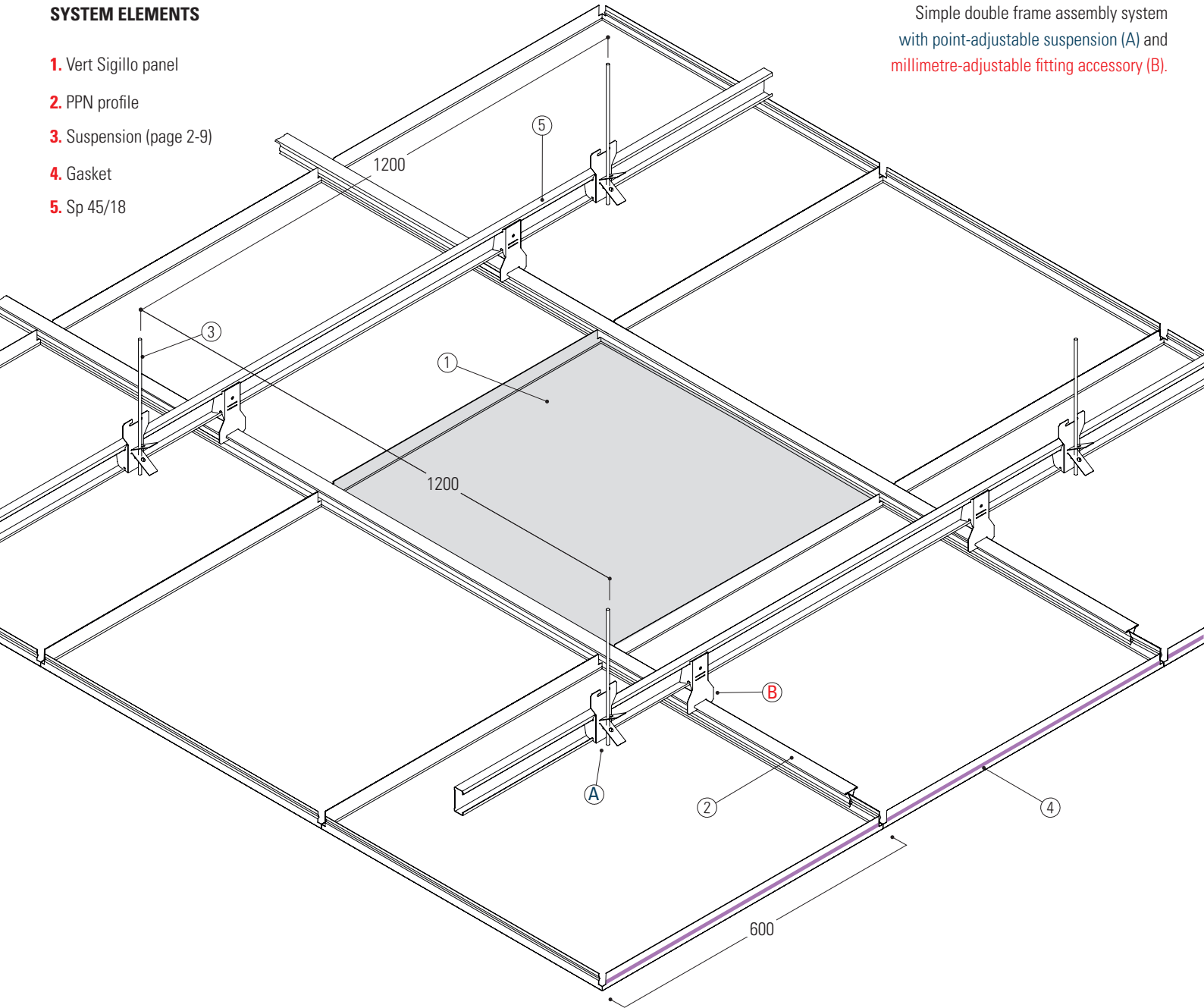


DOUBLE FRAME WITH SP 45/18

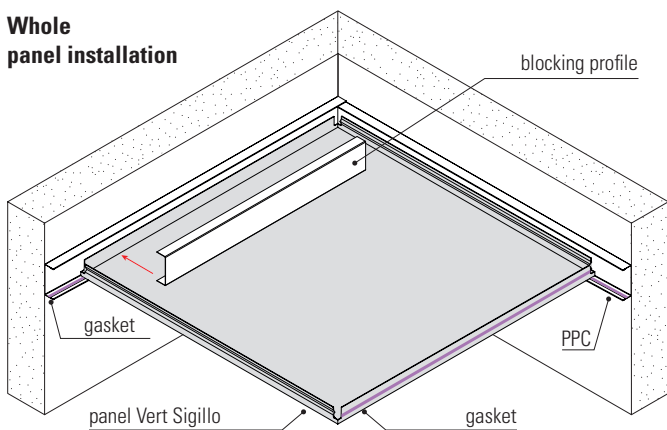
SYSTEM ELEMENTS

1. Vert Sigillo panel
2. PPN profile
3. Suspension (page 2-9)
4. Gasket
5. Sp 45/18

Simple double frame assembly system with point-adjustable suspension (A) and millimetre-adjustable fitting accessory (B).

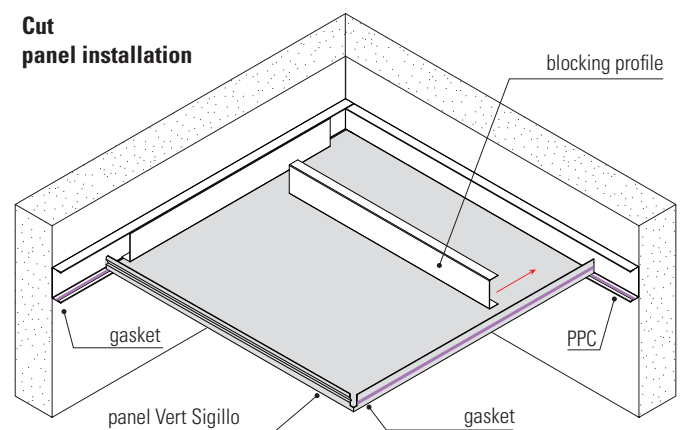


Whole panel installation



The illustration shows the assembly of the Vert Sigillo panel (whole) resting on the "C" perimeter. The insertion of the locking profile is recommended to prevent the panel from lifting.

Cut panel installation

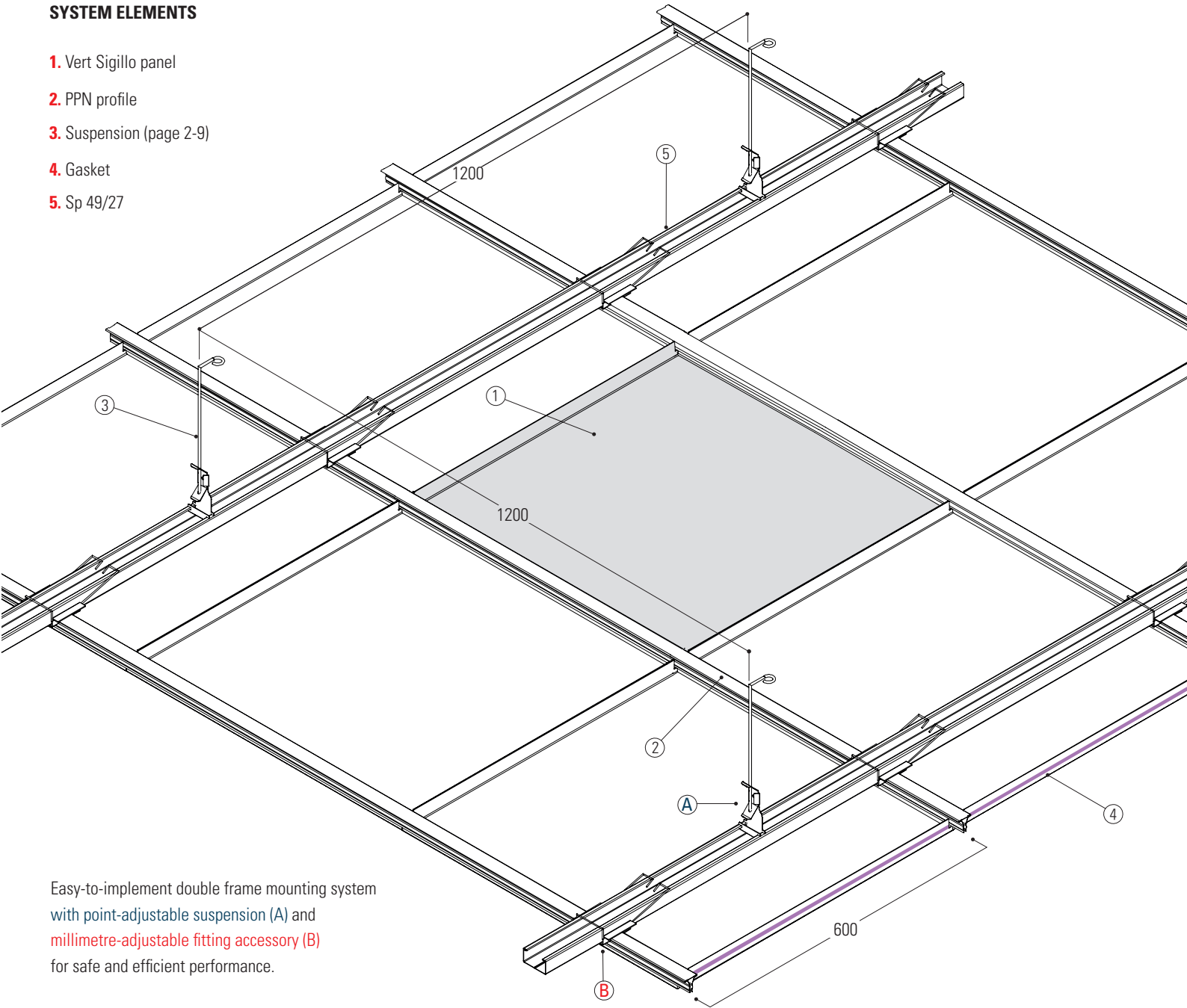


The illustration shows the installation of Vert Sigillo panel (cut) resting on the "C" perimeter with the addition of a second locking "C" profile to ensure coplanarity.

DOUBLE FRAME WITH SP 49/27

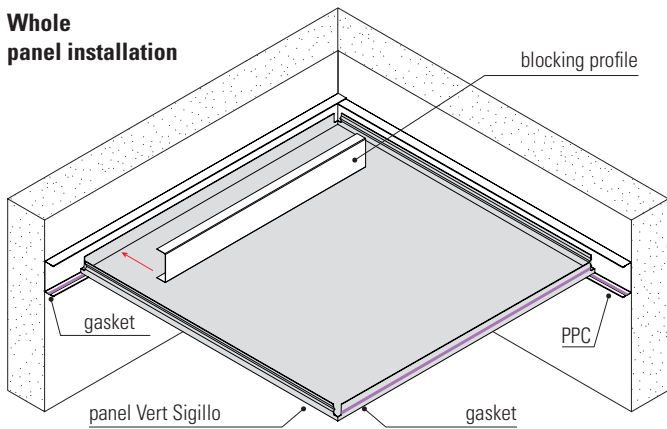
SYSTEM ELEMENTS

- 1. Vert Sigillo panel
- 2. PPN profile
- 3. Suspension (page 2-9)
- 4. Gasket
- 5. Sp 49/27



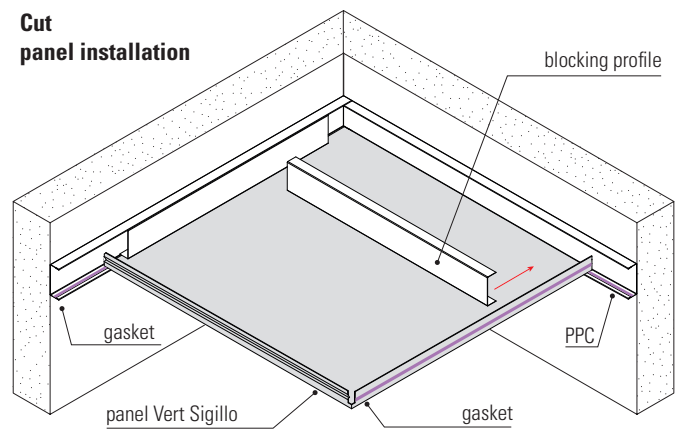
Easy-to-implement double frame mounting system with point-adjustable suspension (A) and millimetre-adjustable fitting accessory (B) for safe and efficient performance.

Whole panel installation



The illustration shows the installation of the Vert Sigillo panel (whole) resting on the 'C' perimeter. The insertion of the locking profile is recommended to prevent the panel from lifting.

Cut panel installation



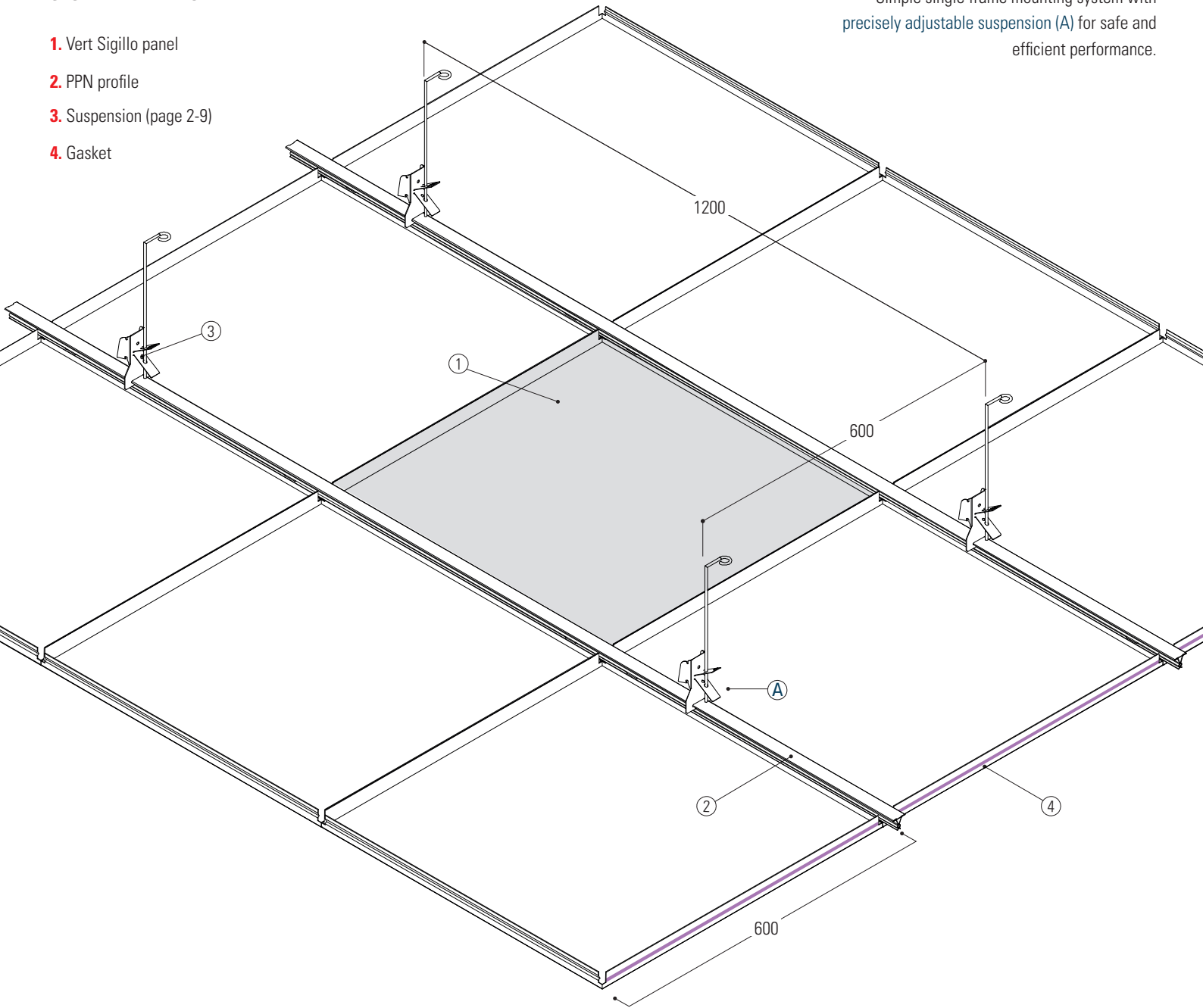
The illustration shows the Vert Sigillo panel being installed (cut) against the "C" perimeter, with the addition of a second locking "C" profile to guarantee coplanarity.

SINGLE-FRAME WITH PPN

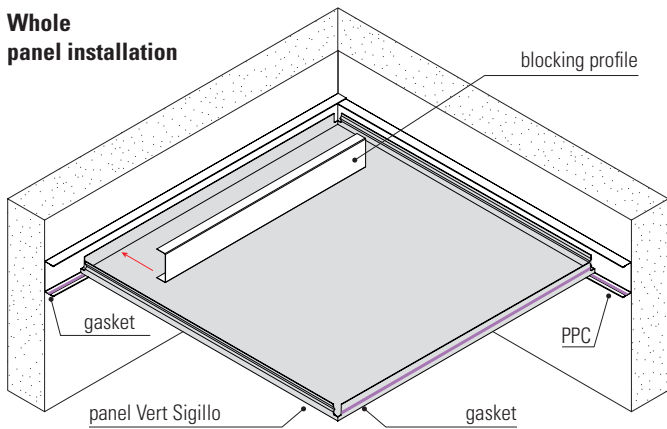
SYSTEM ELEMENTS

1. Vert Sigillo panel
2. PPN profile
3. Suspension (page 2-9)
4. Gasket

Simple single frame mounting system with precisely adjustable suspension (A) for safe and efficient performance.

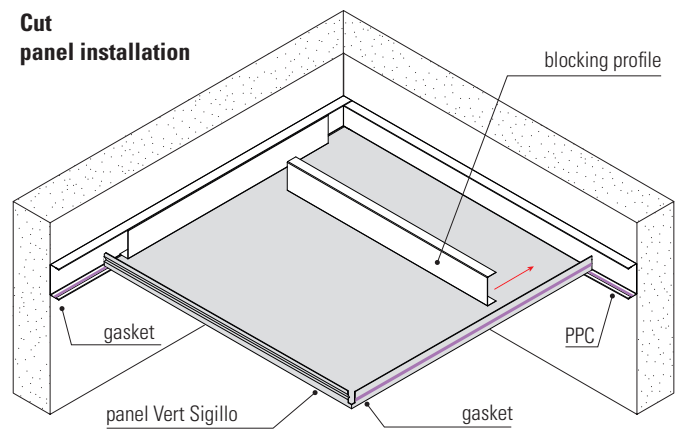


Whole panel installation



The illustration shows the installation of the Vert Sigillo panel (whole) resting on the 'C' perimeter. The insertion of the locking profile is recommended to prevent the panel from lifting.

Cut panel installation

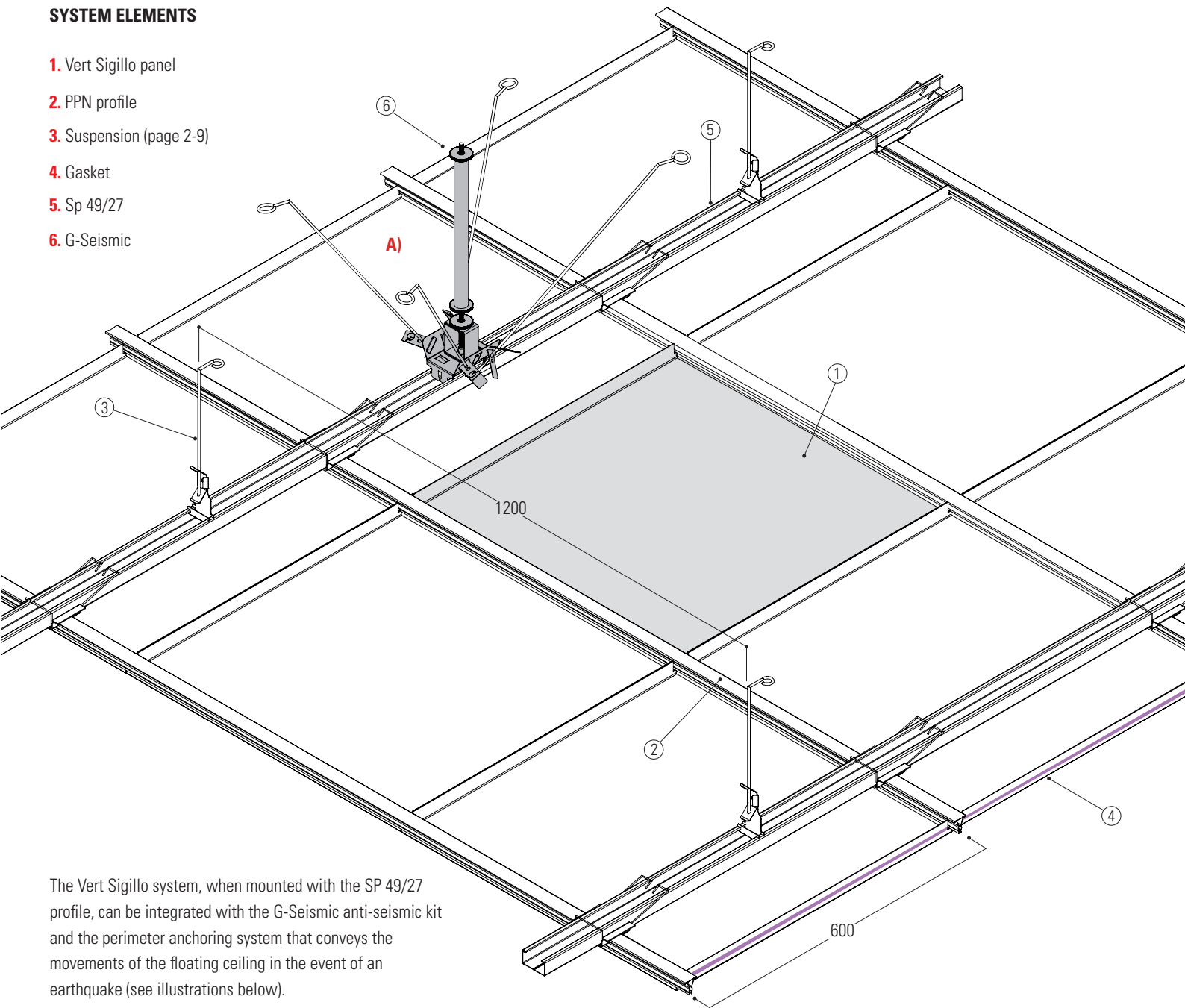


The illustration shows the installation of the Vert Sigillo panel (cut) resting on the "C" perimeter with the addition of a second locking 'C' profile to ensure coplanarity.

DOUBLE FRAME WITH SP 29/27 AND ANTI-SEISMIC KIT

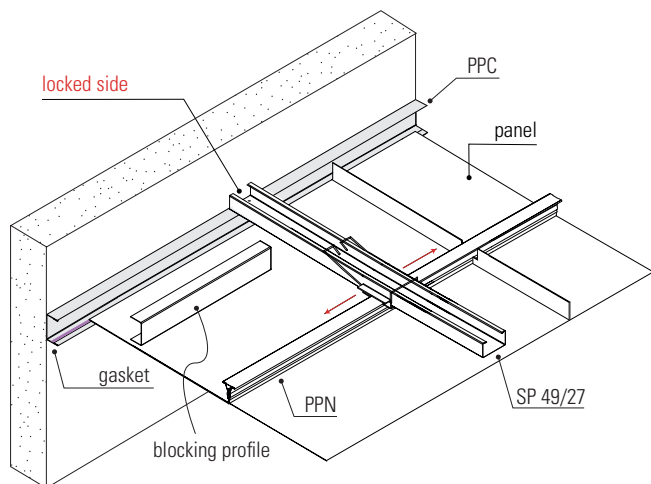
SYSTEM ELEMENTS

- 1. Vert Sigillo panel
- 2. PPN profile
- 3. Suspension (page 2-9)
- 4. Gasket
- 5. Sp 49/27
- 6. G-Seismic

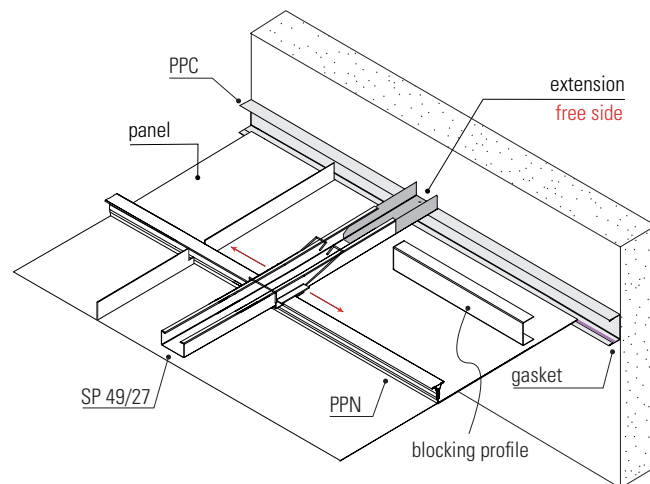


The Vert Sigillo system, when mounted with the SP 49/27 profile, can be integrated with the G-Seismic anti-seismic kit and the perimeter anchoring system that conveys the movements of the floating ceiling in the event of an earthquake (see illustrations below).

Locked side structure installation

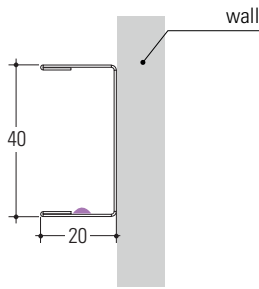


Free side structure installation

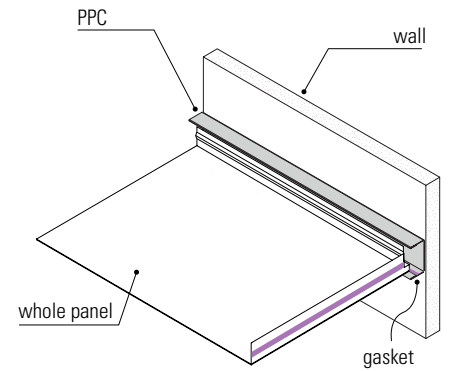
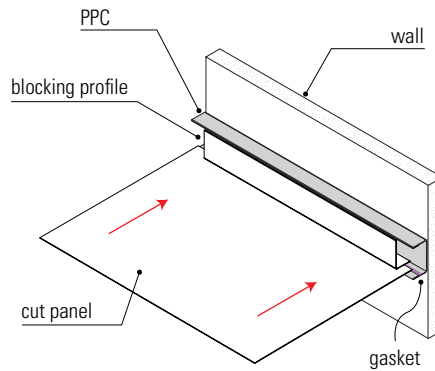


PERIMETER AND CONNECTION PROFILES

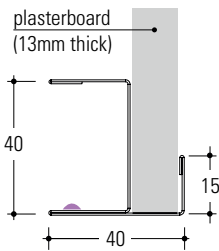
PPC



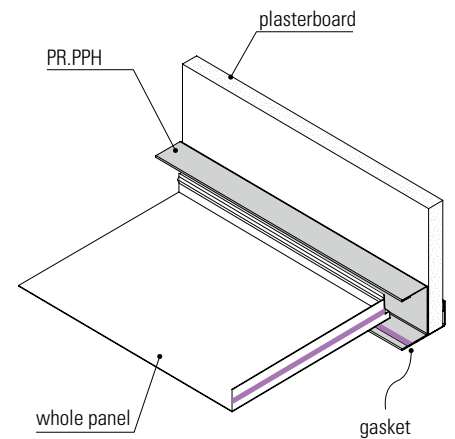
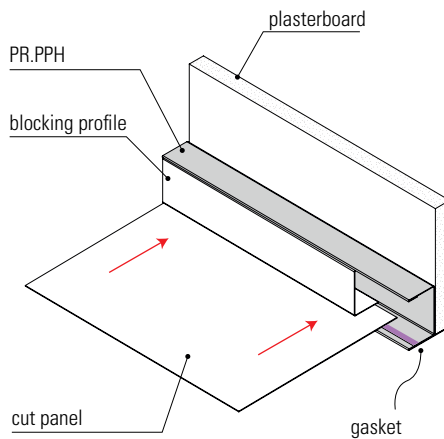
In addition to its function as a perimeter profile, 'PPC' has the characteristic of making a cut metal panel coplanar. The profile allows a perfect integration with cut or full panel. The adjacent illustration shows the application of the 'PPC' profile on the wall, with the VertSigillo panel in place. In the case of a cut panel, a blocking 'C' profile is added to ensure coplanarity.



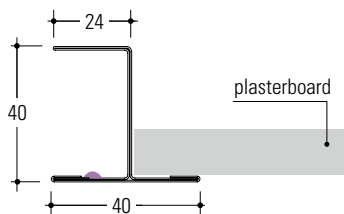
PR.PPH



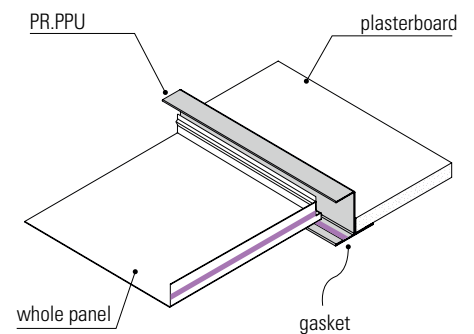
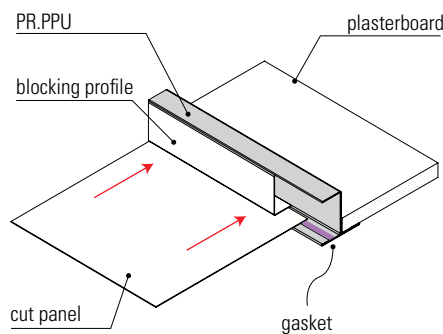
PR.PPH" connection profile for vertical soffit and false ceiling, suitable for installation with Vert Sigillo system. The profile allows a integration with cut or whole panel. The adjacent illustration shows the application of the "PR.PPH" profile on a plasterboard panel (13 mm thick) and the Vert Sigillo panel placed against it. In the case of cut panel, a "C" blocking profile is added to ensure coplanarity. |



PR.PPU



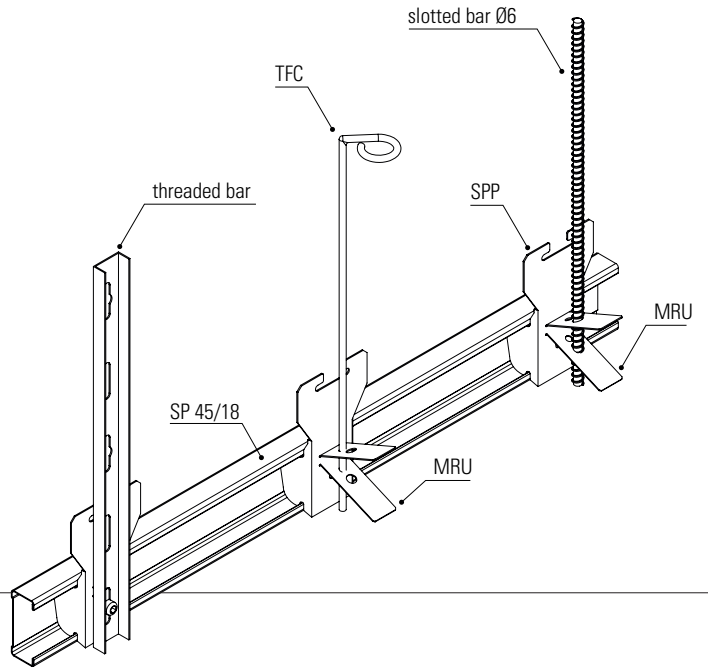
PR.PPU" connecting profile for horizontal compensation and false ceiling, suitable for installation with Vert Sigillo type system. The profile allows a perfect integration with cut or full panel. The adjacent illustration shows the application of the "PR.PPU" profile on a horizontal plasterboard compensation (13mm thick) and the Vert Sigillo panel placed on it. In the case of a cut panel, a blocking 'C' profile is added to ensure coplanarity.



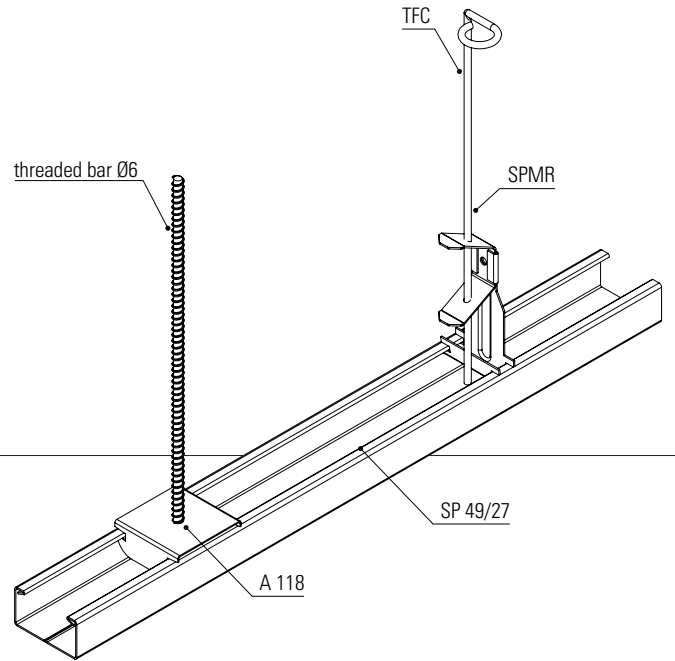
SUSPENSIONS

DESCRIPTION

The Vert Sigillo system has the option of different types of suspension, each of which has its own characteristics that make it suitable, functional and safe. Installation of the suspensions is simple, intuitive and practical. All have millimetre adjustment during installation.



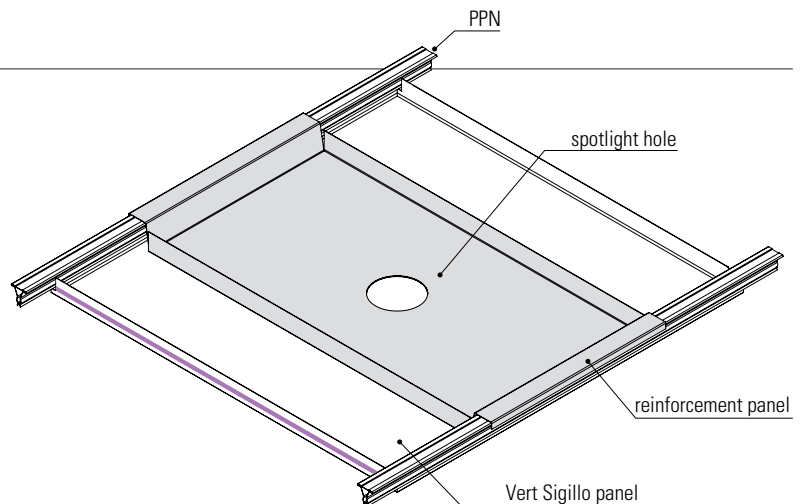
SUSPENSIONS SUITABLE FOR DOUBLE FRAME SYSTEM SP 45/18



SUSPENSIONS SUITABLE FOR DOUBLE FRAME SYSTEM SP 49/27

DESCRIPTION OF REINFORCEMENT PANEL

The reinforcement panel is installed easily and intuitively. It is positioned above the Vert Sigillo panel, hooking onto the sides of the "PPN" profile with subsequent fixing, thus allowing for an effective and secure hold once the spotlight has been applied.



NORMATIVE REFERENCES

- Construction product according to Regulation (EU) 305/2011
- CE marking in accordance with EN 13964
- Sheet metal quality and cladding grade in accordance with EN 10143 and EN 10346

- Air and dust tightness tests carried out in cooperation with Istituto Giordano:

The entire ceiling system was tested for impermeability according to the method prescribed by UNI EN 1026: 2016 and obtained permeability values in CLASS 2 according to UNI EN 14351-1 (test report no. 356263 dated 8.11.2018)

CE MARKING

The product indicated in this data sheet is intended for use inside buildings. It is provided with a Declaration of Performance (DoP). Reaction to fire: class A1/Durability: class B (Building components exposed to variable relative humidity up to 90% and temperatures up to 30°C but without corrosive agents, except class C5-M products).

LEED PROTOCOL

This certification is establishing itself as the new world standard for environmentally friendly construction and promotes a sustainability-oriented approach. Evaluation on integrated process, optimisation of energy performance, construction and demolition waste management planning, interior lighting and acoustic performance.

PRODUCT STORAGE

Store parcels in covered places with a relatively dry atmosphere and at a temperature as constant as possible to avoid condensation phenomena that can reduce the passivation state protecting the galvanised surface. In the event of external storage (not recommended), use a cover that ensures perfectly protect the material against the weather (rain, fog, snow), taking care to place the packages slightly inclined. This cover must in any case be such as to allow adequate ventilation (not putting the two surfaces in direct contact), so that moisture does not accumulate and create condensation.

PACKAGING MATERIAL

The packaging is made of cardboard with plastic bags inside containing the panels, all sealed with tape on the outside. The pallet is made of plastic strapping and a wooden wall. The packaging is suitably sized to facilitate handling in warehouses and on construction sites.

WARNINGS

Important warnings

- Please read the following warnings carefully as they are important instructions for safe installation, use and maintenance.
- After removing the product from its packaging, make sure that it is intact, otherwise contact the seller.
- Packaging elements (plastic bags etc.) must not be left within reach of children as they are potential sources of danger.
- Failure to comply with the above may compromise the safety of the product.
- The manufacturer cannot be held liable for any damage resulting from improper, incorrect and unreasonable use.
- ed irragionevoli.

Important warnings

- The product must not be subject to modification; any modification voids the warranty and may render the product dangerous.
- Antonio Guerrasio s.r.l. shall not be held liable for any damage caused by its products not being assembled in accordance with the instructions.
- The products must be installed in a workmanlike manner.
- The product is also intended to be installed on normally flammable surfaces.



Recycling

the crossed-out bin serves as a reminder to collect the product separately from other waste at the end of its life or to return it to the retailer when purchasing a new appliance of an equivalent type. This helps to preserve the environment from contamination and promotes the recycling of product components. Unauthorised disposal is subject to sanctions in accordance with the law.

Warning

-All representations in this data sheet are indicative and fixing should be checked when choosing the system to be used.

Features subject to change and improvement without notice