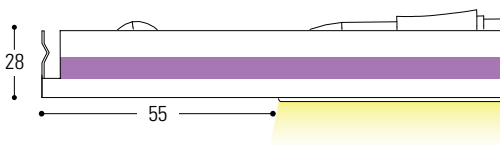




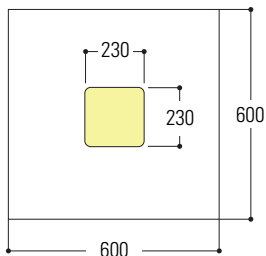
VERT LIGHTPANEL

for Vert Sigillo system

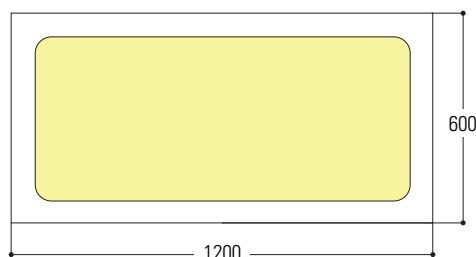
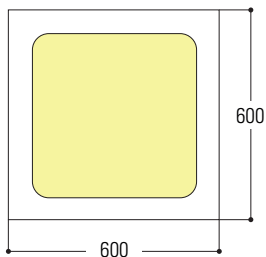
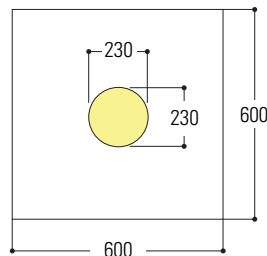
90° edge



Rounded edges



oval



DESCRIPTION

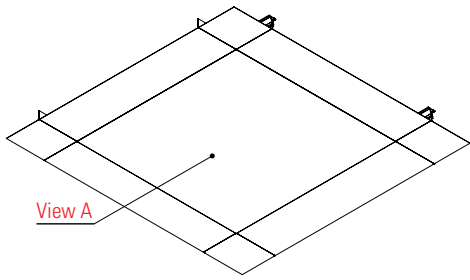
Recessed luminaire for lighting with high-yield LED technology. An elegant and modern style guaranteed by integration inside the Vert Sigillo type ceiling; unique in its kind, it allows installation in ceilings where there is little soffit space. The luminaire consists of an aluminium structure and a cladding panel with the same finish (aluminium or steel) and the same material (pre-painted and post-painted) as the ceiling and replaces all applications that hitherto required the use of fluorescent and halogen tubes.

TECHNICAL CHARACTERISTICS

Panel material:	Aluminium (Alloy 3000H46) Galvanised steel (DX51DZ) Steel inox
Ceiling light material	Aluminium (Alloy 3000H46)
Colour:	RAL 9003 O RAL 9010 (with optional antimicrobial paint)
Panel thickness:	0,4 - 0,5 - 0,6 mm
Body thickness:	0,8 mm
Internal driver:	Yes
Features:	DALI module / emergency module
Standard modules:	600x600 (with double geometry 230x230) 600x600 with 90° edge 600x1200 with 90° edge
Service life:	50.000 hours
LED warranty:	3 Years
Product weight:	dai 2 ai 4 kg

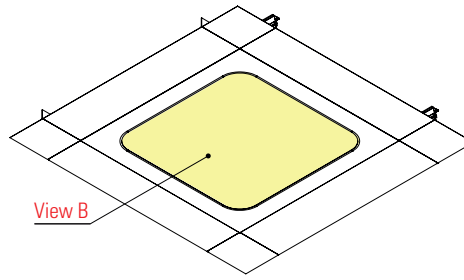
ADVANTAGES AND APPLICATIONS

Vert Sigillo system

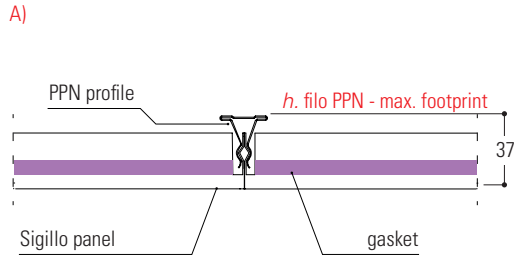


View A

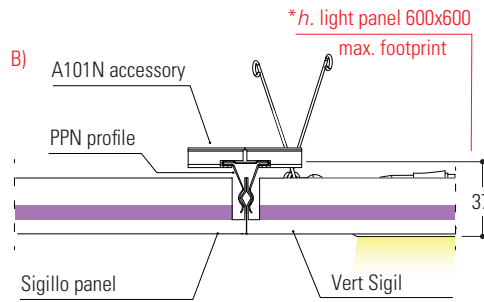
Vert Sigillo system with light panel



View B



A)



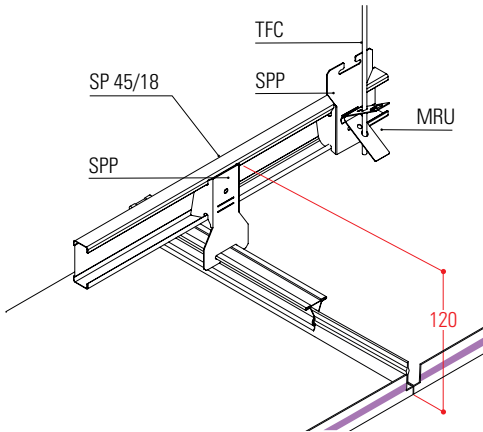
B)

DESCRIPTION

This **Light Panel** has as its strong point a gasket on one side of the panel that prevents the passage of dust, thanks to the perfect adherence between the joining of the panels. The light panel can be inspected punctually by means of a suction cup that comes with the product. The Sigillo system can be manufactured in single or double as shown in the figures below, and can be accessed at any point by means of a suction cup that is supplied with the product.

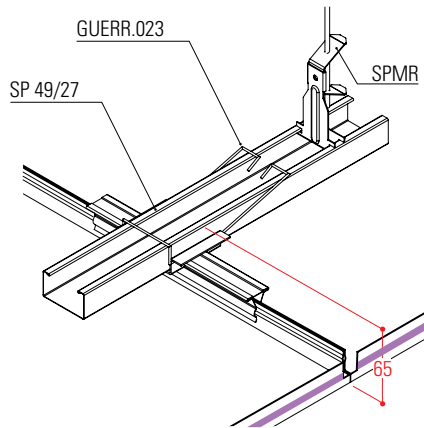
SINGLE AND DOUBLE FRAME

Space requirement max. 120 mm



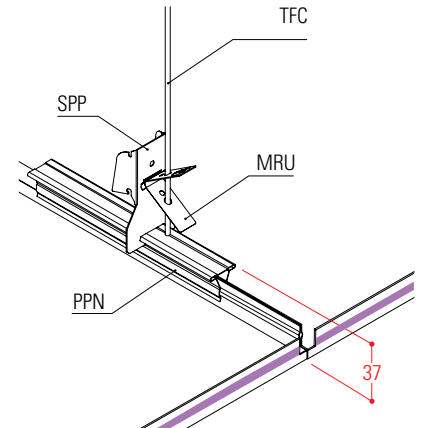
Double frame with SP 45/18

Space requirement max. 65 mm



Double frame with SP 49/27

Space requirement max. 37 mm

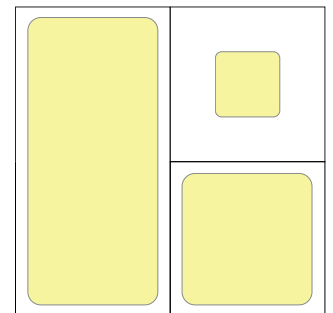


Single frame with PPN

PERFORMANCE, CONSUMPTION AND MODULE

The **Light Panel** is designed to offer homogeneous, flicker-free illumination suitable for installation in any location where optimum visual performance is required. This LED panel offers excellent lighting performance for up to approximately 50,000 hours, with an estimated daily usage of 8 hours. Thanks to the integrated LED technology, this panel replaces older installations with halogen tubes with significantly lower consumption. The LED system therefore drastically lowers consumption while maintaining the same light intensity.

Type	Dimensions	Power (W)	Luminous flux	Luminous flux
			Lamp** (IM)	Lamp** (IM)
			OPAL	UGR
VLP 5353/4	600x600 (230x230)	24	-	1633
VLP 5353/4	600x600	32	-	3807
VLP 5353/4	600x1200	74	-	7888



600x600 (320x320)
600x600 / 600x1200 mm

OPTICAL GROUP AND PHOTOMETRIC CURVE

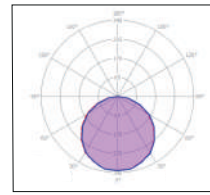
- Colour rendering Ra>90
- Photobiological risk 0 (exempt) UV-protected EN 62471

Available optics:

UGR<19 (UGR) version

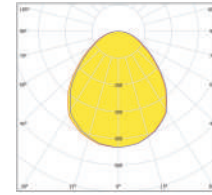
Microprismatic polycarbonate optics for environments with video terminals

600x600 (230x230)



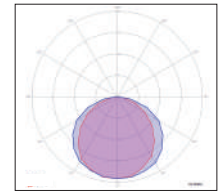
cd/klm C0 - 180 C90 - C270 $\eta = 100\%$

600x600



cd/klm C0 - 180 C90 - C270 $\eta = 100\%$

600x1200



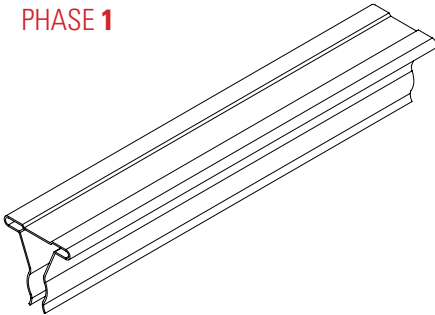
cd/klm C0 - 180 C90 - C270 $\eta = 100\%$

Standard available colour temperature

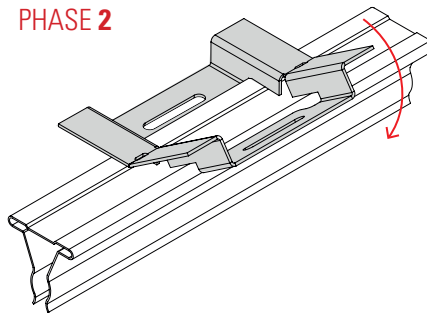


MOUNTING ACCESSORY A101N

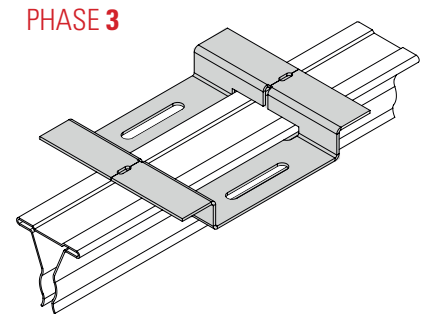
PHASE 1



PHASE 2



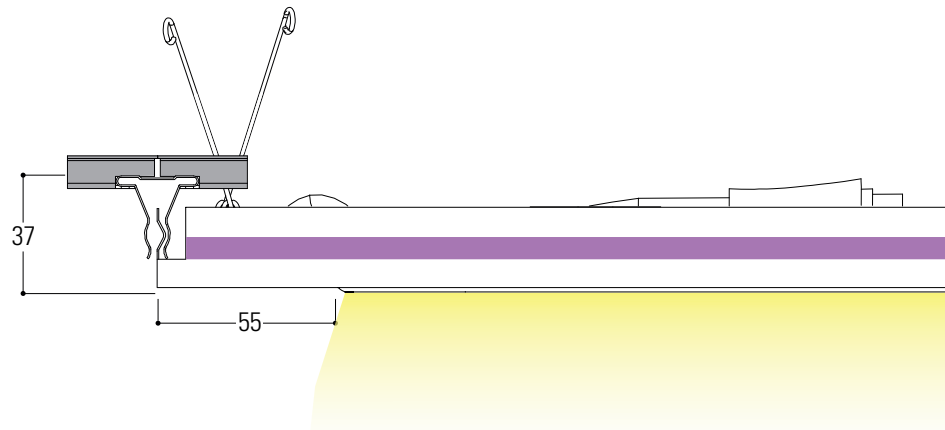
PHASE 3



DESCRIPTION A101N

With its simple features, this accessory is used for mounting the Concealed Light Panel. It can be applied quickly and intuitively.

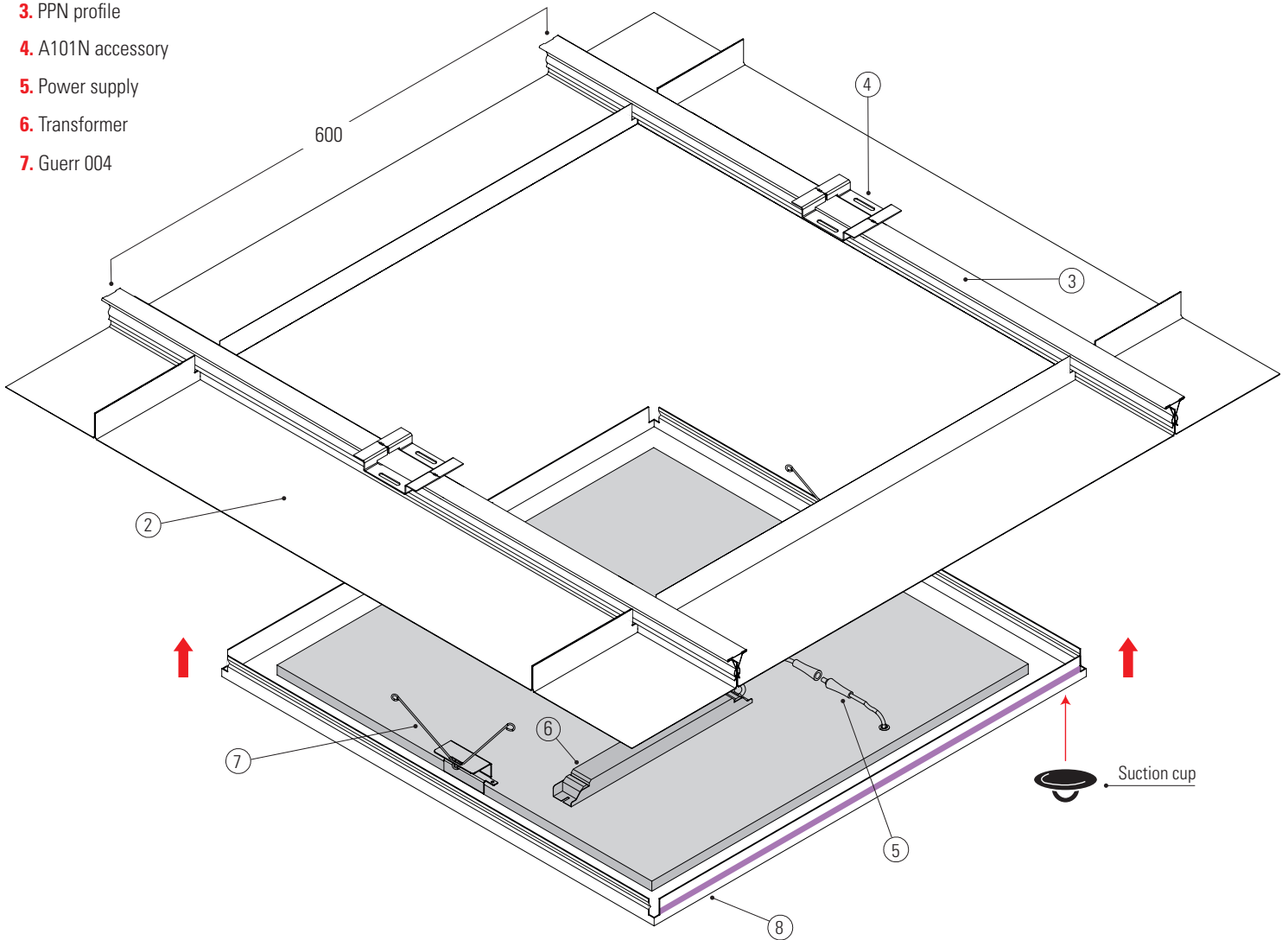
As can be seen from the steps described above, the accessory rests on the PPN profile and provides an ideal and safe solution for attaching the ceiling light. It also offers the possibility of easy and smooth inspection.



SYSTEM ELEMENTS

1. Light Panel
2. Vert Sigillo panel
3. PPN profile
4. A101N accessory
5. Power supply
6. Transformer
7. Guerr 004

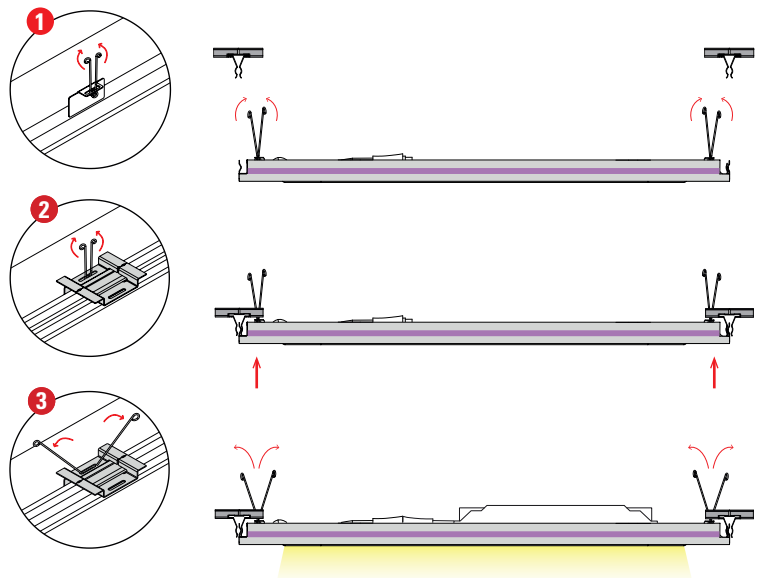
**PERFECT INTEGRATION INTO
THE VERT SIGILLO SYSTEM**



ASSEMBLY DESCRIPTION

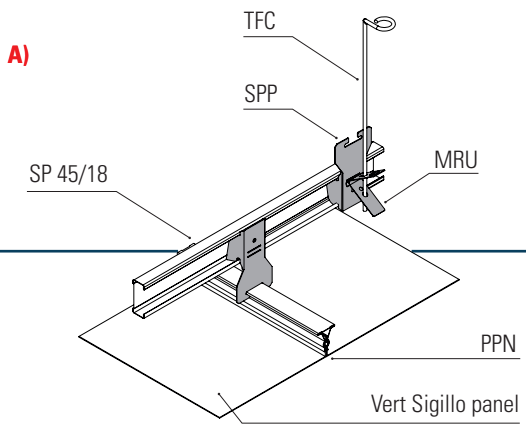
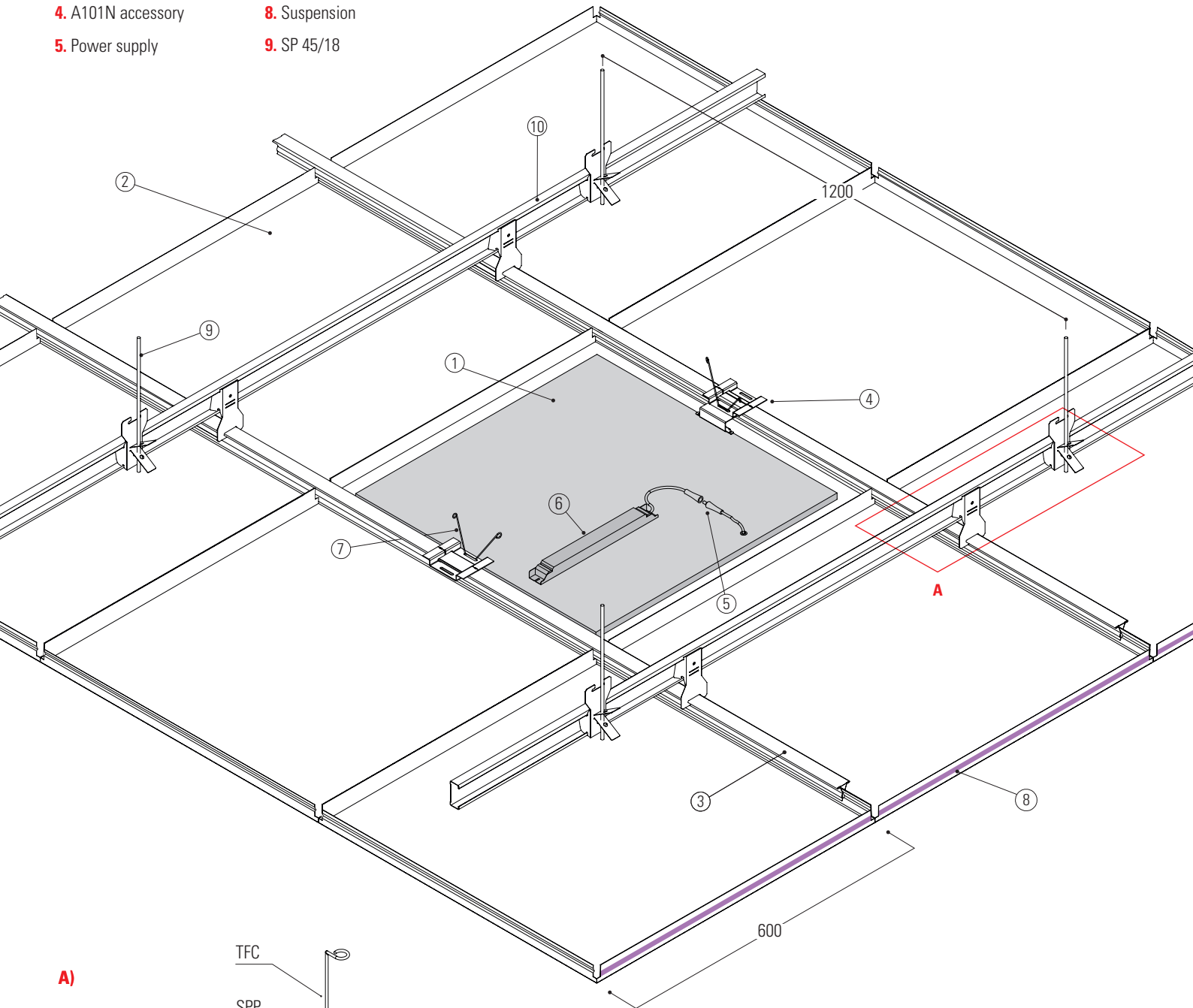
The Light Panel is assembled in the same way as a Vert Occulto panel, the steps are few and intuitive:

1. Tighten the springs(7) located on both sides of the light panel(1)
 2. Insert the springs into the slot of the A101N(4) accessory located on the PPN(3) profile
 3. Then make the connection to the mains using the power supply socket(5).
- Push the light panel(1) upwards to complete assembly.
 - Use the suction cup in the corner to access the LED panel.



SYSTEM ELEMENTS

- 1. Light Panel
- 2. Vert Sigillo panel
- 3. PPN profile
- 4. A101N accessory
- 5. Power supply
- 6. Transformer
- 7. Guerr 004
- 8. gasket
- 8. Suspension
- 9. SP 45/18

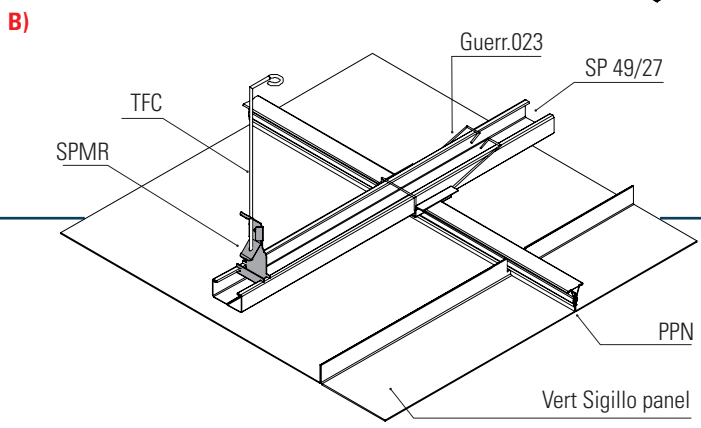
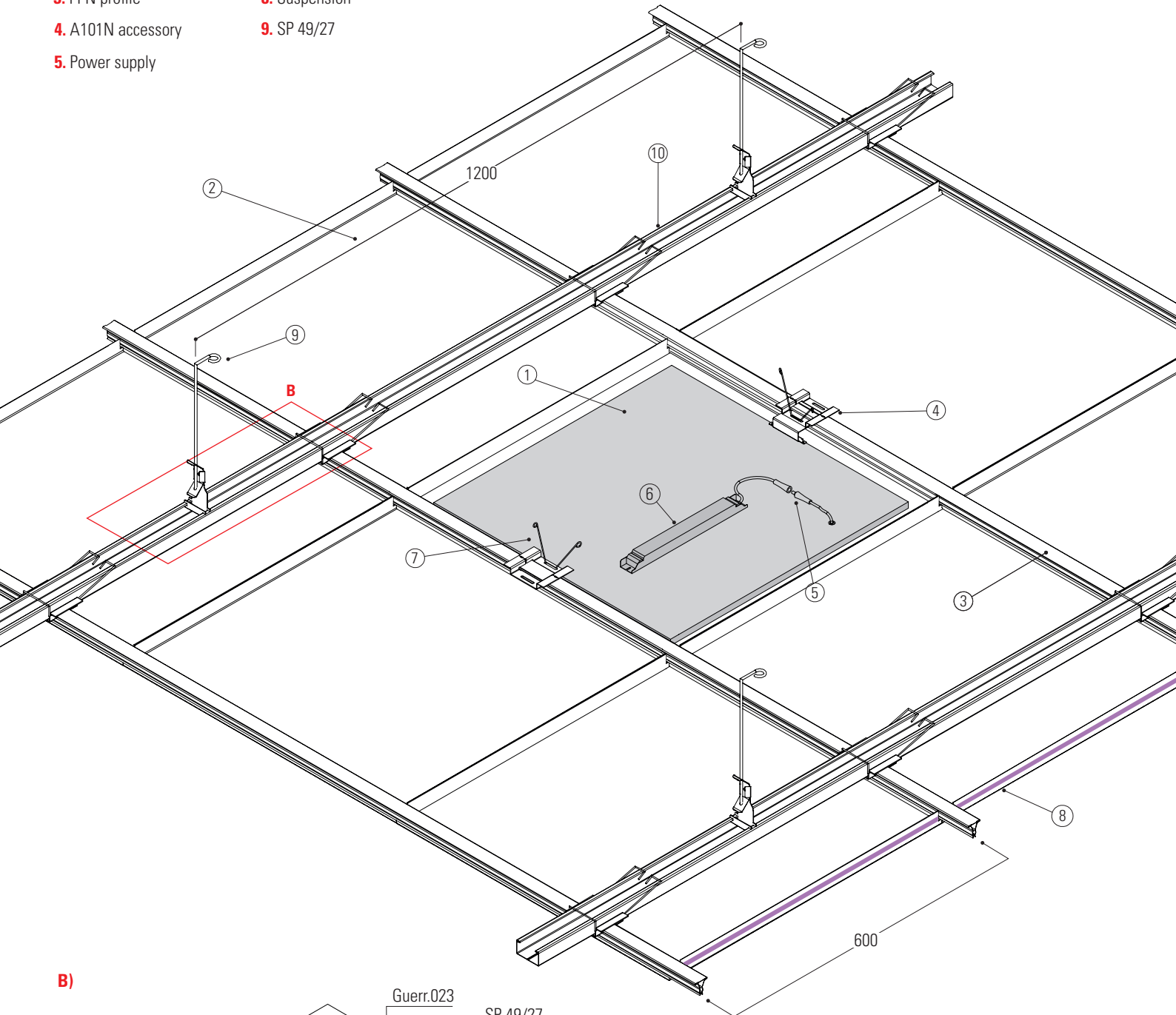


DESCRIPTION AND DETAILS

The SIGILLO system shown to the side is a non-coplanar double frame, which can be accessed at any point, and is composed of a primary profile type SP45/18 that is suspended from the ceiling and a secondary profile type PPN. In addition to being easy to assemble, the suspension and connection systems are also adjustable at every point. The panel, on the other hand, is assembled from below and after installing the gasket, it must be snapped into the PPN profile.

SYSTEM ELEMENTS

- 1. Light Panel
- 2. Vert Sigillo panel
- 3. PPN profile
- 4. A101N accessory
- 5. Power supply
- 6. Transformer
- 7. Guerr 004
- 8. Suspension
- 9. SP 49/27

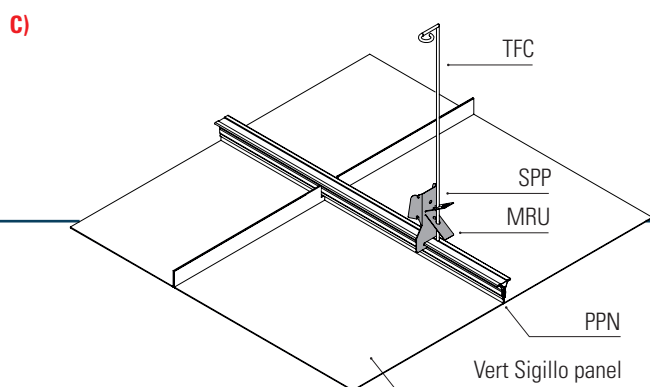
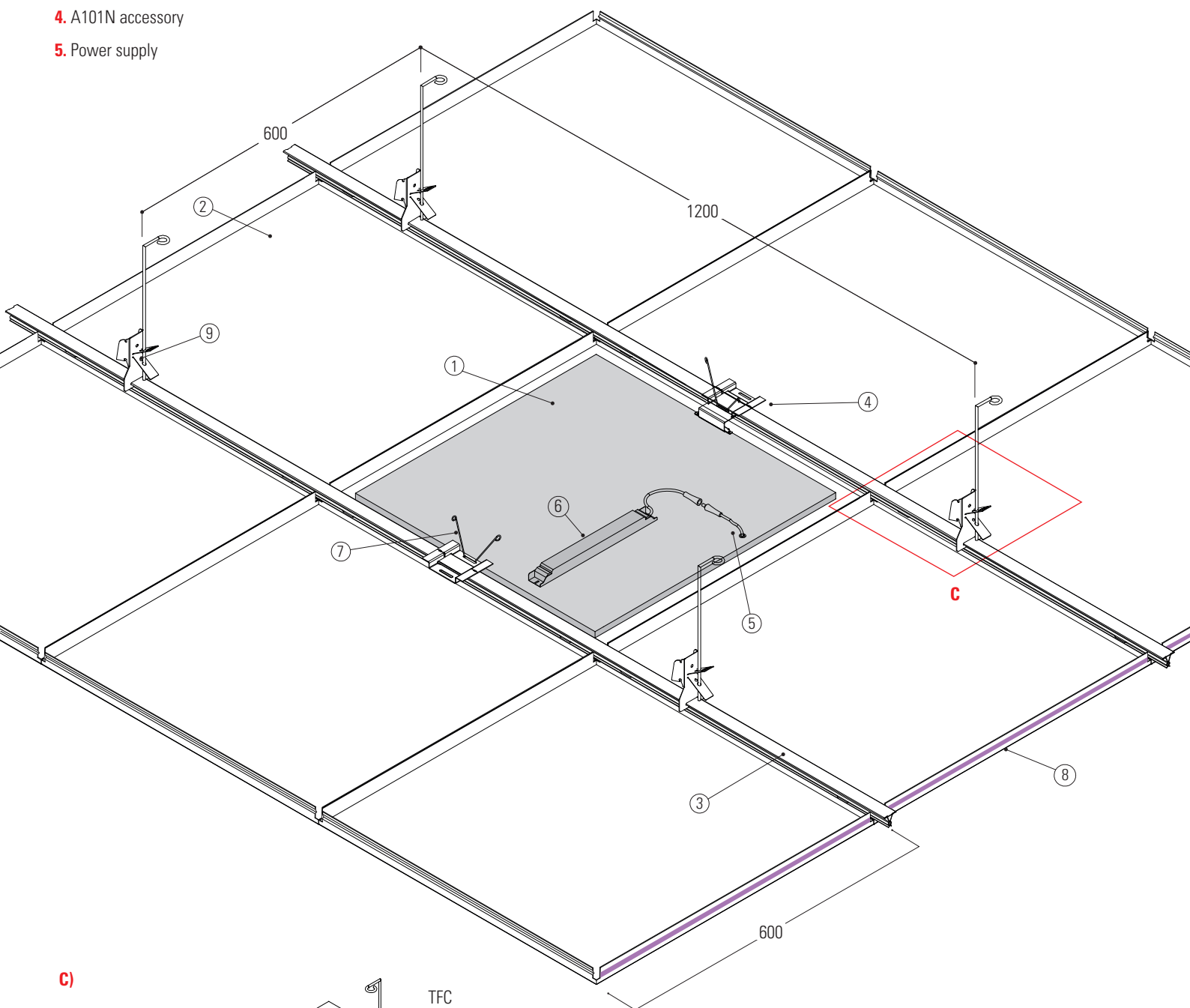


DESCRIPTION AND DETAILS

The SIGILLO system shown to the side is non coplanar double frame and is particularly suitable for solutions with limited space. The ceiling can be accessed at any point, and consists of a main profile type SP 49/27 that is suspended from the ceiling and a secondary profile type PPN. In addition to being easy to install, the suspension and connection systems are also adjustable at every point. The panel, on the other hand, is mounted from below by snapping into the PPN profile.

SYSTEM ELEMENTS

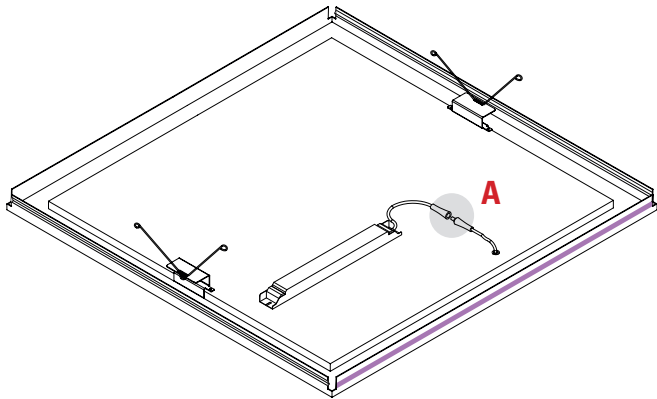
- 1. Light Panel
- 2. Vert Sigillo panel
- 3. PPN profile
- 4. A101N accessory
- 5. Power supply
- 6. Transformer
- 7. Guerr 004
- 8. Suspension



DESCRIPTION AND DETAILS

The SIGILLO system shown opposite is a single-frame system and is particularly suitable for solutions with limited space. The ceiling can be accessed at any time. It consists of a PPN profile that is suspended from the ceiling with suspensions. In addition to being easy to install, the suspension and connection systems are also adjustable at every point. The panel, on the other hand, is mounted from below by snapping into the PPN profile.

SUPPLY SOCKET AND SEAL



A: Power supply

- 230/240 - 50/60 Hz power supply with 0.75 mm² cross-section cable and PVC-HT sheathing, flame retardant in accordance with CEI 20-35 standards and complying with CEI 20.20 and CEI CENELEC HD 21 standards. IP66 2P+E or 4P+E watertight connector, maximum allowed cable cross-section 2.5 mm².

Insulation class I. Suitable for installation on normally flammable surfaces.

- Power supply EEI=A2 230-240, 50 - 60Hz. power factor > 0.95.



OTHER EQUIPMENT

Possible equipment of the Microprocessor Self-Test Module equipped with:

- Autonomy test
- Functionality test
- Routine tests

**Luminous flux tolerance $\pm 10\%$.

*Dual Power possibility

*/** see table page 2

WARNINGS

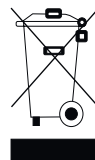
General Warnings

- The luminaire is constructed in a workmanlike manner, and its electrical life will be more than sufficient if used correctly.
- Please read the following warnings carefully as they are important information for safe installation, use and maintenance.
- After removing the appliance from its packaging, ensure that it is undamaged, otherwise contact the seller.
- Packaging elements (plastic bags etc.) must not be left within reach of children as they are potential sources of danger.
- Before connecting the appliance, make sure that the rating plate data correspond to those of the electrical distribution network to which the appliance will be connected (the label with the rating plate data is located on the outside of the appliance).
- Before carrying out any cleaning or maintenance operations, disconnect the appliance from the mains power supply by switching off the circuit breaker; in the event of a fault, contact only professionally qualified personnel.
- Failure to do so may compromise the safety of the appliance.
- The manufacturer cannot be held liable for any damage resulting from improper, incorrect and unreasonable use.

Important warnings

- The product must not be subject to modification, any modification voids the warranty and may render the product dangerous. Antonio Guerrasio s.r.l. shall not be held liable for any damage caused by its products not being assembled in accordance with the instructions.
- Any damaged components must be replaced with similar ones.
- The products must be installed in a workmanlike manner.
- In order to avoid dangerous overheating, it is recommended not to install the appliance in cramped spaces without air exchange.
- The appliance is also intended for installation on normally flammable surfaces.

Recycling



In implementation of Directives 2002/95/EC, 2002/96/EC and 2003/108/EC ("on the reduction of the use of hazardous substances in electrical and electronic equipment and the disposal of waste") the crossed-out wheeled bin serves as a reminder to collect the product separately from other waste at the end of its life or to return it to the retailer when purchasing a new appliance of an equivalent type. This helps to preserve the environment from contamination and promotes the recycling of equipment components. Unauthorised disposal is subject to sanctions in accordance with the law.



IP65
lato inf.

IP20
lato sup.

230-240V
50-60Hz



Switch Control



3H



UGR<19



UV
PROTEZIONE



INCASSO



CRI 90



F



PROTOCOLLO
LEED

Features subject to change and improvement without notice