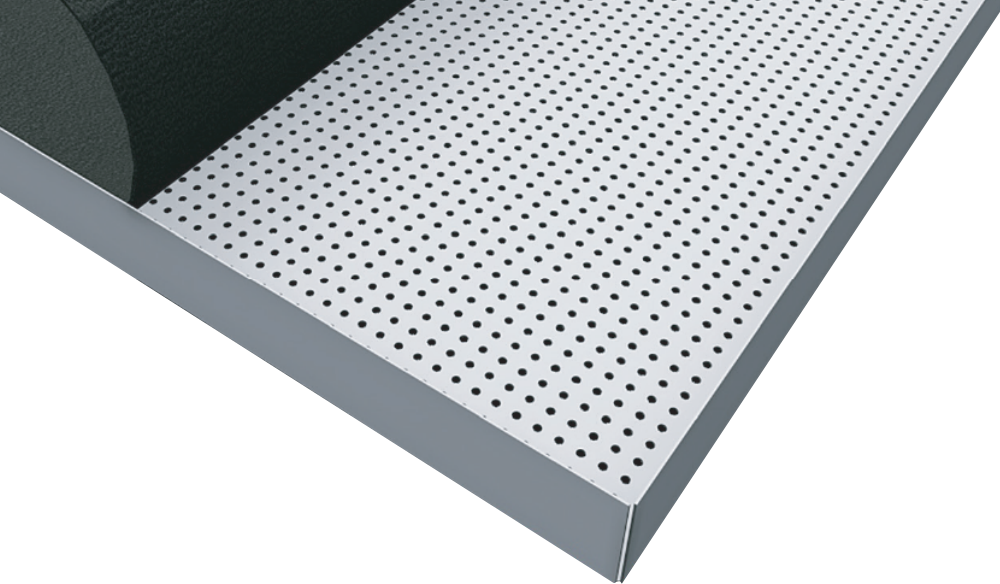


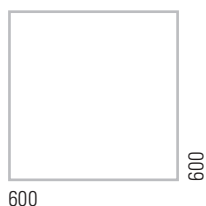
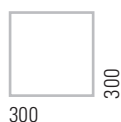
# VERT VISIO

on T 15 structure



## DESCRIPTION

Vert Visio is a modular, easy-to-install indoor false ceiling. The panels can be individually inspected and are made of steel or aluminium, with a smooth or perforated finishing. System harmony is achieved by using the Vert Visio Led light fixture and plenum (supply and return), integrated into the false ceiling.



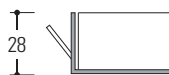
## TECHNICAL CHARACTERISTICS

European standard:	CE - EN 13964
Durability:	Class B
Fire resistance:	A1
Sound absorption:	EN ISO 354
Standard colour:	Prepainted White - Silver - Mirror Aluminium Post-painted RAL folder - NCS - Sublimated
Standard material:	Aluminium (Alloy 3000H46) Galvanised steel (DX51DZ)
Standard thickness:	0,4 - 0,5 - 0,6 mm
Standard modules:	300x300 mm 600x600 mm 300x1200 mm 600x1200 mm
Average system weight:	4-5 kg/mq

## FINISHING MODEL

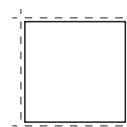


Standard panel

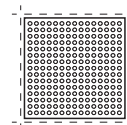


Panel with anti-release flap

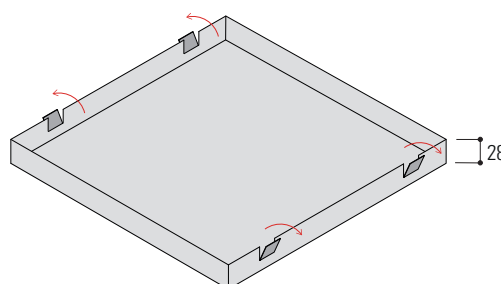
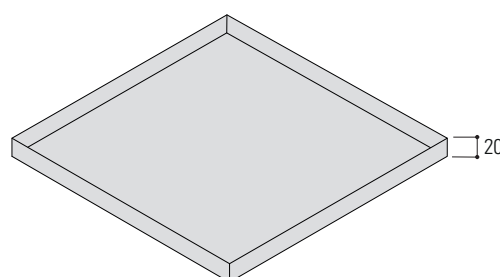
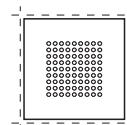
Smooth panel



10 mm perforated panel with smooth edge



100 mm perforated panel with smooth edge



# ADVANTAGES AND APPLICATIONS

## DESCRIPTION

The **Vert Visio** panel consists of a membrane (smooth or perforated) and an exposed substructure that together form a square or rectangular grid effect. With the application of the insulation, there is a guarantee of absorption and acoustic comfort to the environment. The panel can be of two types:

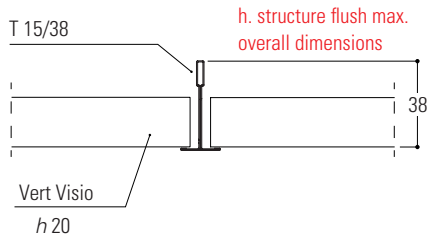
A) Standard with a height of 20 mm lying on the **T structure**;

A1) With **anti-hook fins** with a height of 28 mm interlocking on the T structure.

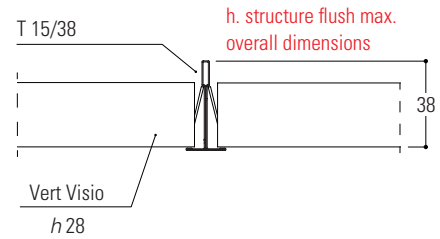
The anti-hook fins guarantee the anti-lifting of the panel, in fact they are interlocked with the T-structure, without compromising punctual inspectability.

The panels can be inspected punctually by lifting them from below, and can be equipped with integrated M/R plenum boxes for air conditioning (see systems illustrations).

A) Standard panel



A1) Panel with anti-hook fins

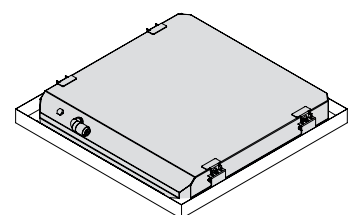
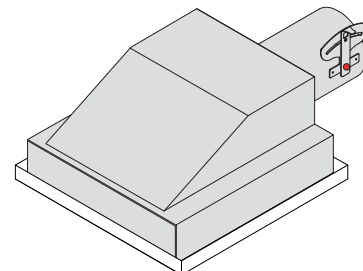
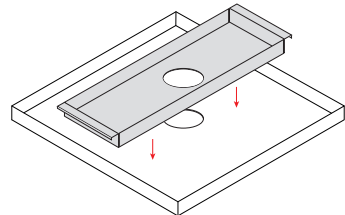
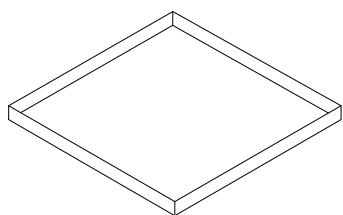
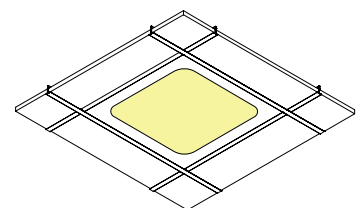
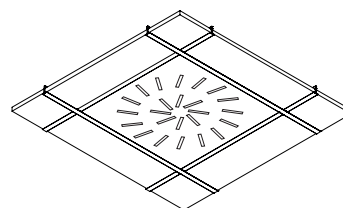
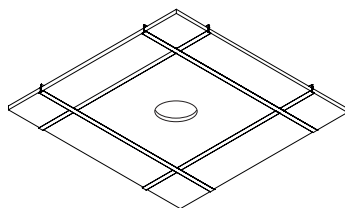
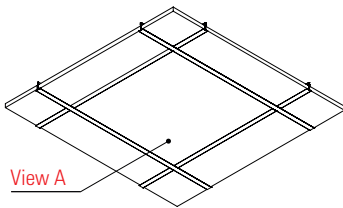


Standard system

SSystem with reinforcement panel and spotlight hole

System with plenum

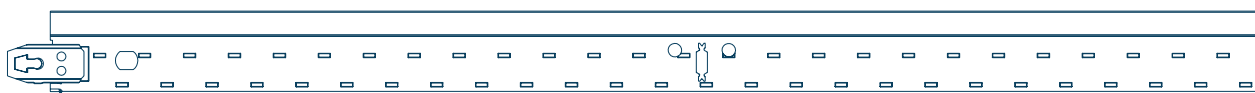
System with ceiling light



## SUITABLE PROFILES

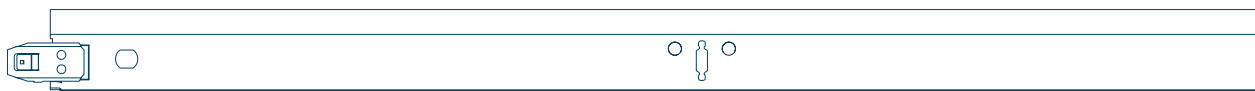
### FRECCIA

overlapping profile with 'riportato' hook



### X SEISMIC

overlapping profile with anti-seismic hook shown



### CLASSIC LINE

overlapping profile with 'ricavato' hook



### BAIONETTA

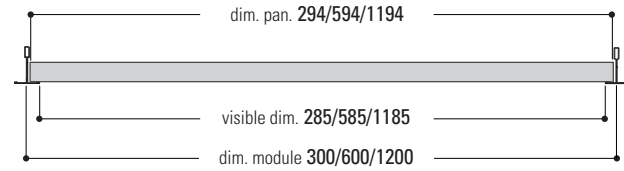
overlapping profile with 'ricavato' hook



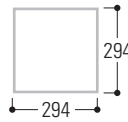
## MODULES AND DIMENSIONS

Different solutions can be implemented; with the possibility of different modules, you are able to create the right solution and satisfy every requirement.

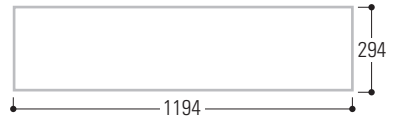
### Dimensions:



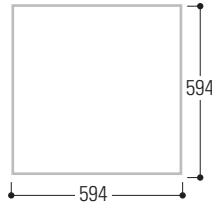
module 300x300



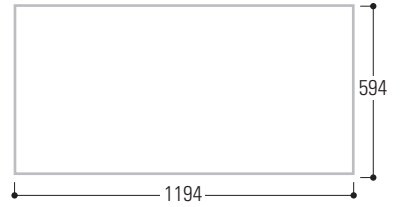
module 300x1200



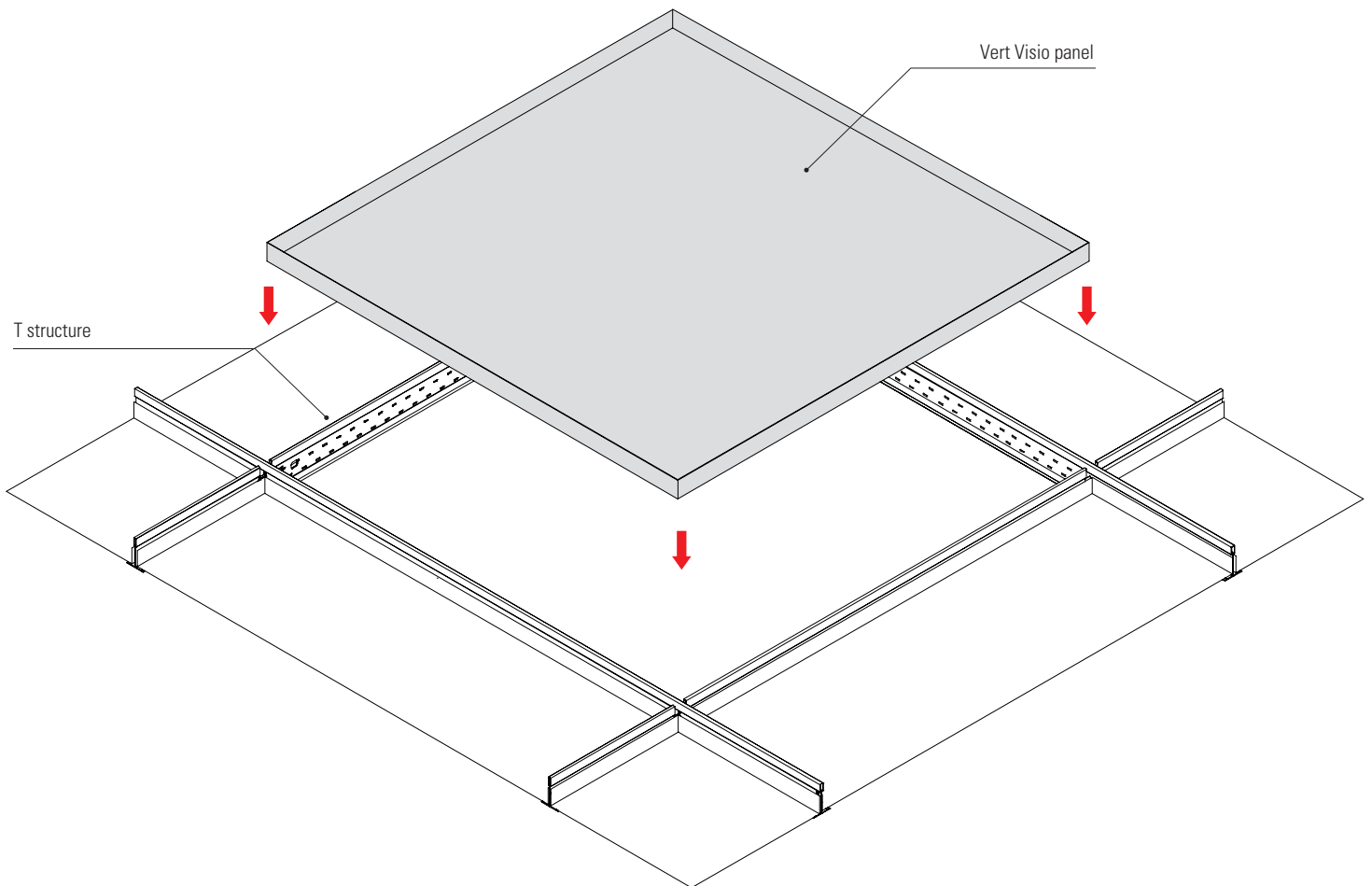
module 600x600



module 600x1200

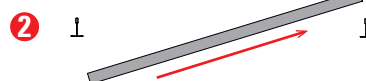
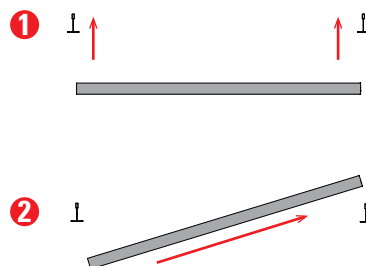


## INSTALLATION



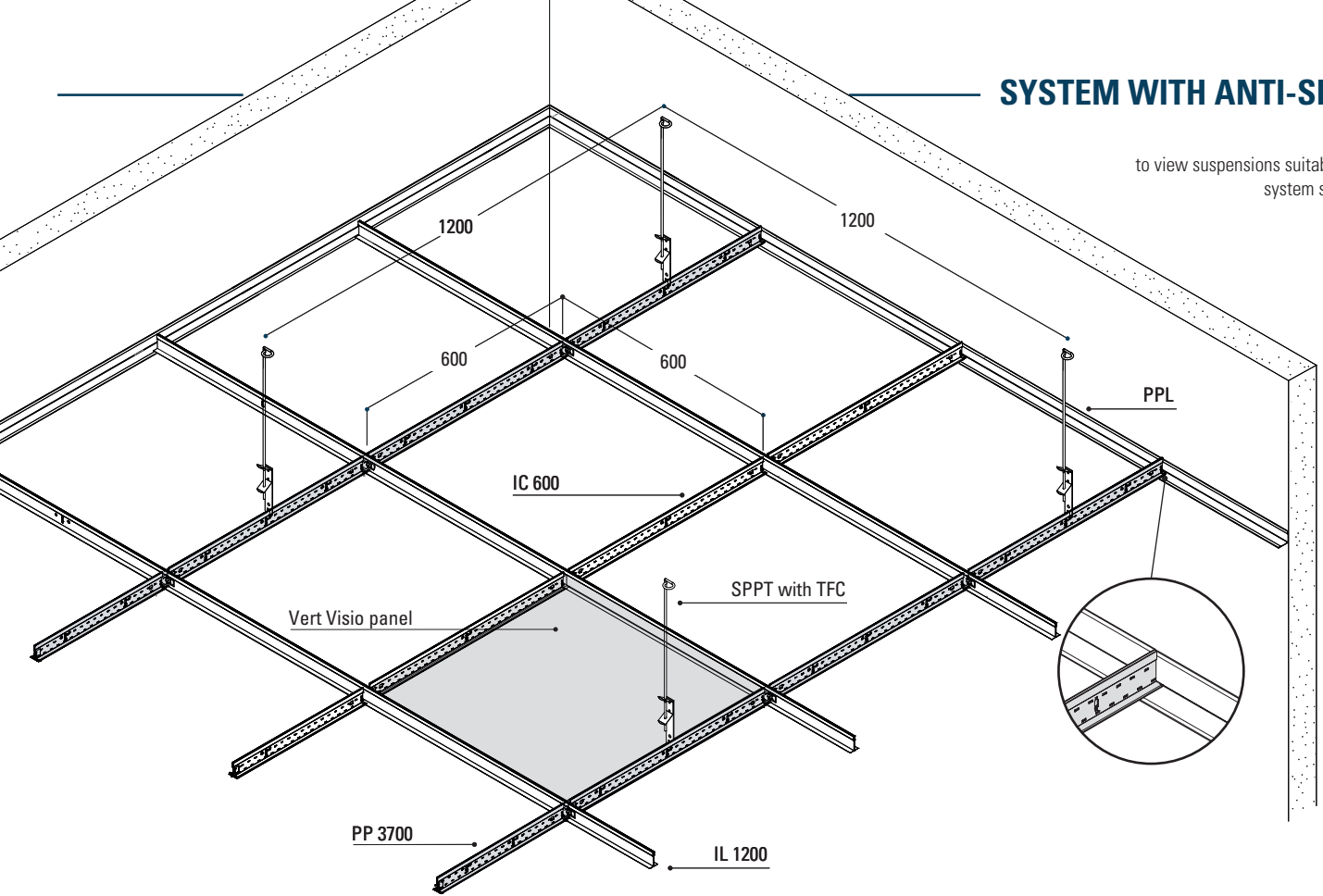
### DESCRIPTION:

1. Position and centralise the panel between the T-profiles
2. Insert the panel transversally, positioning it on top of the metal structure.
- 3./4. Place the panel on the T-profiles

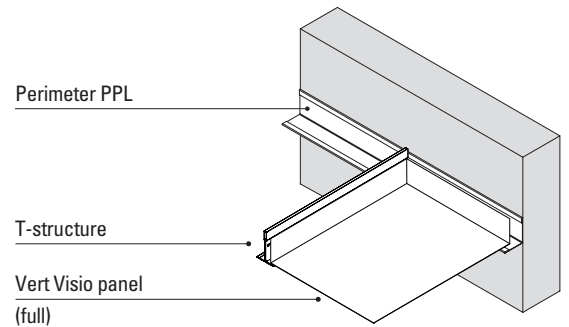
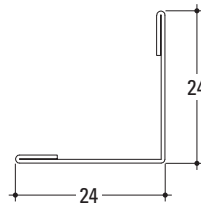


# SYSTEM WITH ANTI-SEISMIC

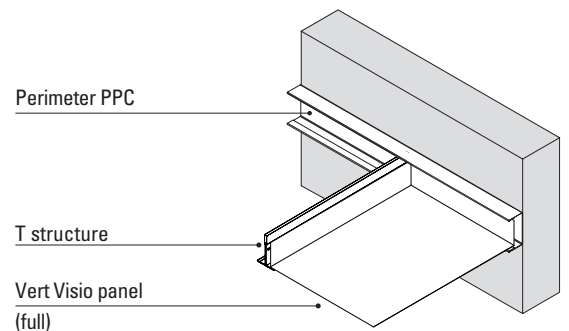
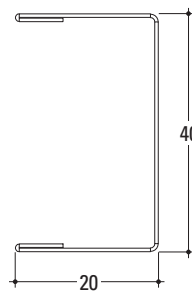
to view suspensions suitable for this system see page 8



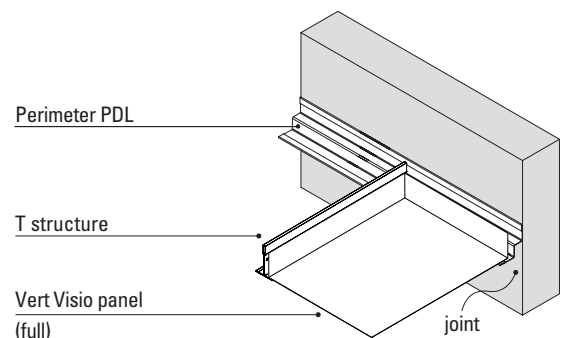
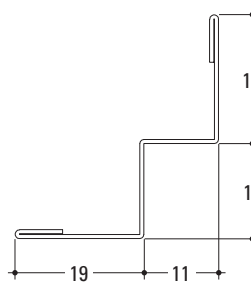
**PPL** is a classic 'L' perimeter profile suitable for application with Vert Visio type panels. The colour of the PPL profile may vary depending on the T-structure or the chosen panels that will be mounted on the false ceiling.



**PPC** has the characteristic of making a cut metal panel coplanar by using a "C" profile on the inside, which favours its rigidity and blocking. The colour of the PPC profile can vary depending on the T structure or the chosen panels that will be mounted on the false ceiling.

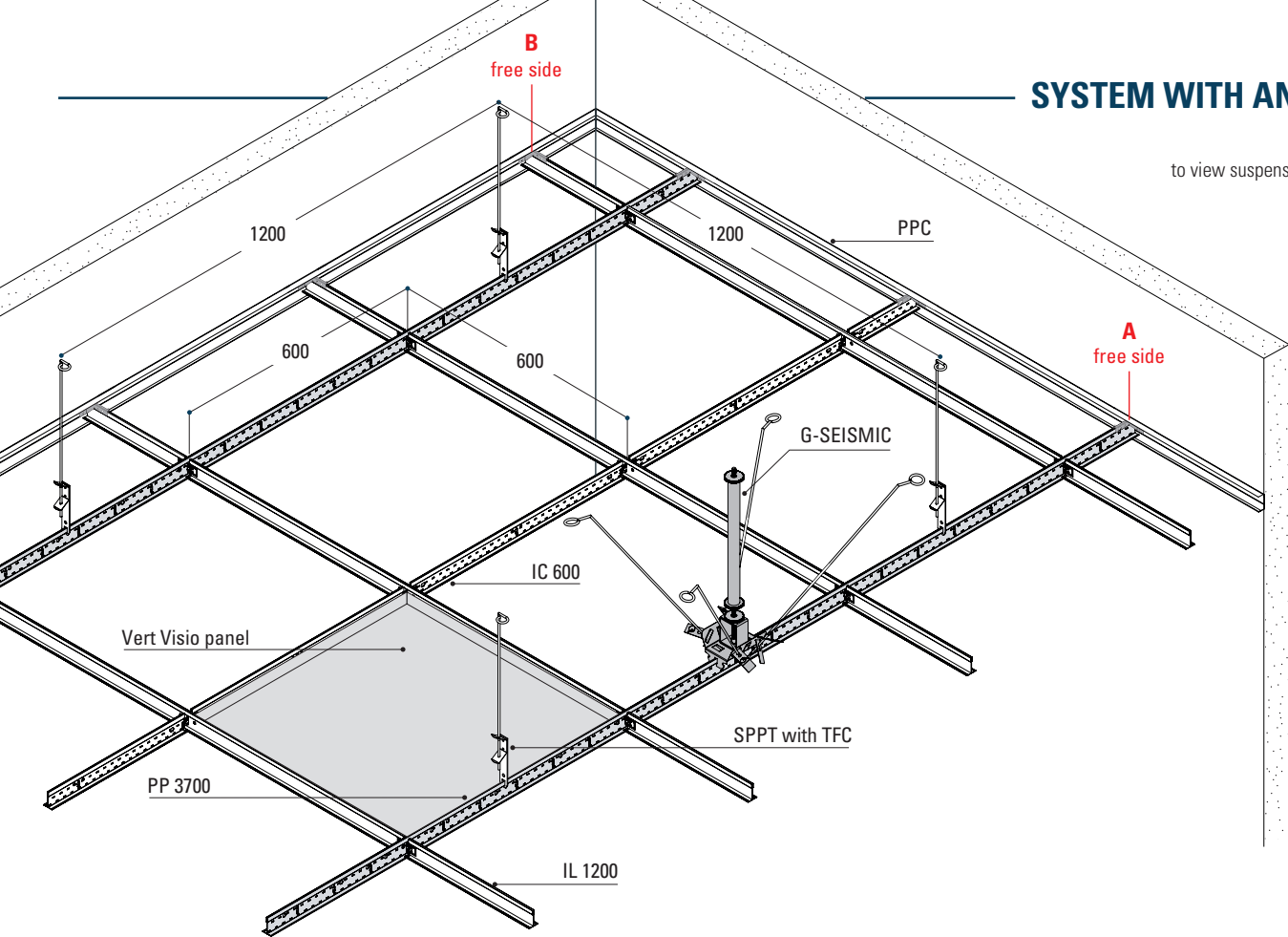


The **PDL**, in addition to its function as a perimeter profile, has as a characteristic the possibility of creating joints due to its stepped shape and thanks to this it is also possible to position the T profile on the top or bottom of it. The colour of the PDL profile can vary depending on the T-structure or the chosen panels that will be mounted on the false ceiling.

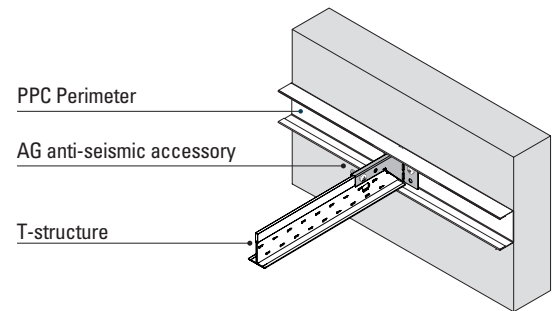
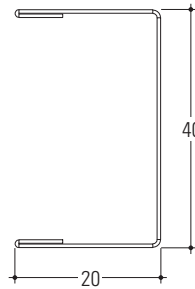


# SYSTEM WITH ANTI-SEISMIC

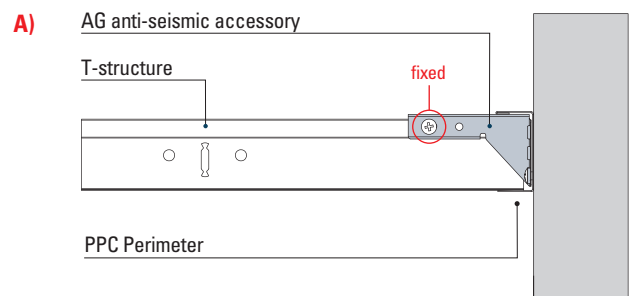
to view suspensions suitable for this system see page 8



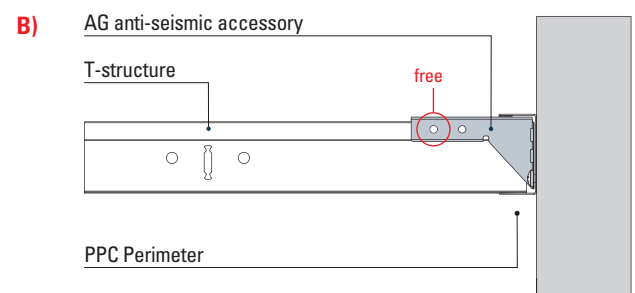
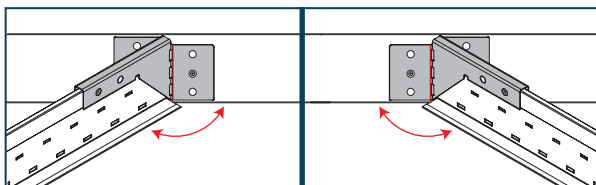
In addition to performing the function of a perimeter profile, the **PPC** has the possibility of integrating in it the anti-seismic accessory, which guarantees greater safety to the entire system in the event of seismic action. The assembly of the AG accessory is simple and intuitive; once positioned inside the PPC profile, it is fixed with screws and can be adjusted in both directions (right-left) to adapt the assembly of the structure to individual needs.

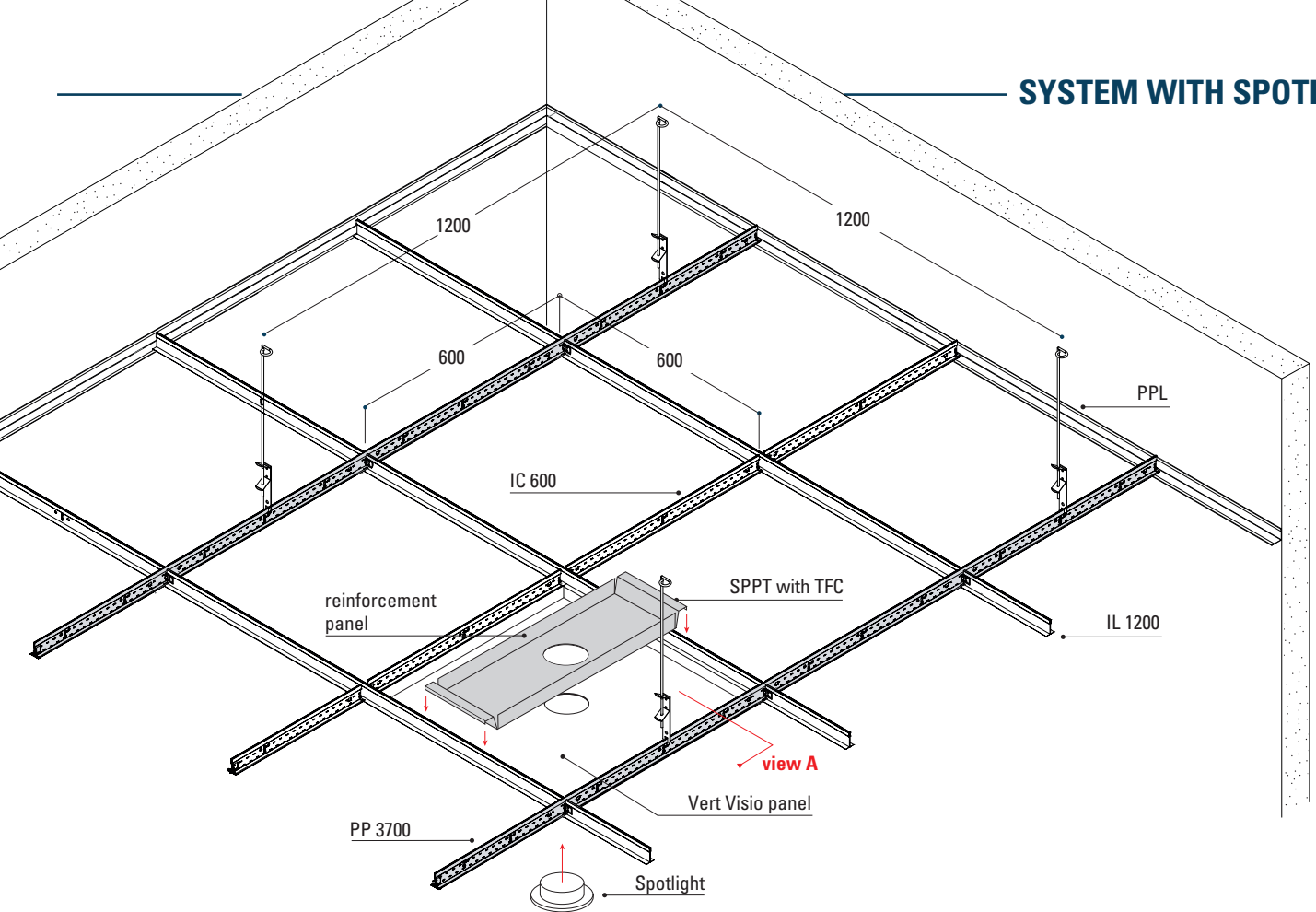


On the perimeter profiles, in order to create an additional constraint to the seismic action, two variants are applied on opposite sides through the use of the AG accessory. On one side (**A**), the structure is constrained to the wall, preventing any movement by screwing the AG accessory to the perimeter profile and the structure; instead, on the other side (**B**), the structure, in case of seismic action, is released from the AG accessory but still constrained in the direction and without being able to make rotational movements.



The **anti-seismic accessory** has the possibility, when mounted on the profile, of adjusting the angle to suit any type of need.

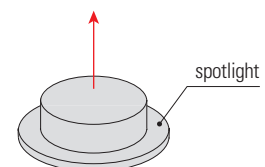
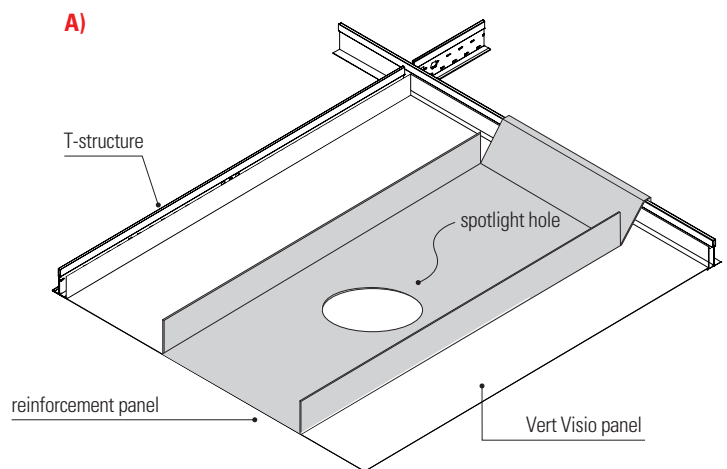
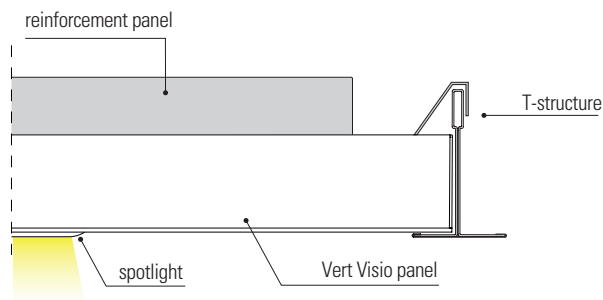




**INSTALLATION DESCRIPTION**

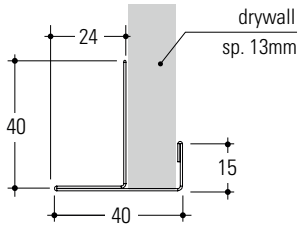
The spotlight is accompanied at installation by a reinforcement panel to provide extra strength, making installation simple and intuitive. The spotlight will unload the full weight on the reinforcement panel so that no bulges are created on the Vert Visio panel. The reinforcement panel with its extremities

will be positioned on the top of the Vert Visio panel by hooking into the sides of the 'T' structure. The final step is to install the spotlight and connect it to the electricity.

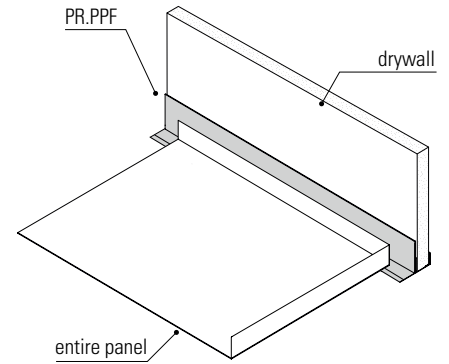


# CONNECTION PROFILES

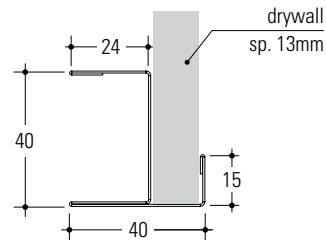
## PR.PPF



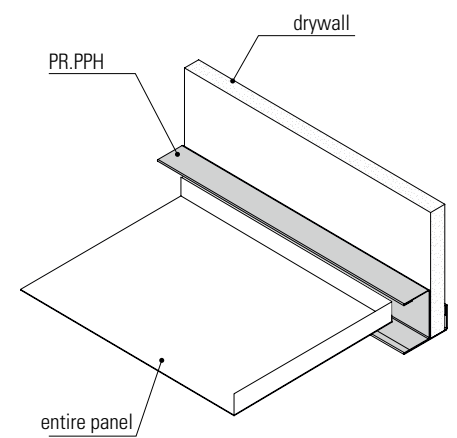
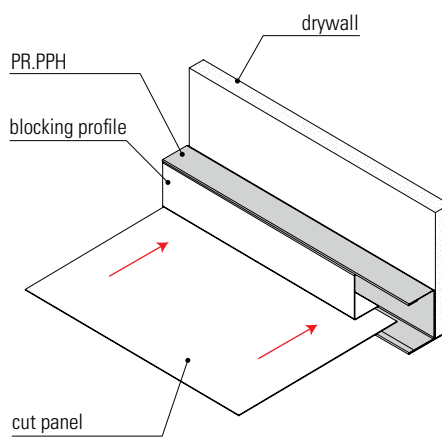
Connecting profile "PR.PPF" for vertical soffit and false ceiling, suitable for installation with Vert Visio system. The adjacent illustration shows the application of the "PR.PPF" profile on a plasterboard panel (13mm thick) and the Vert Visio panel laying on it.



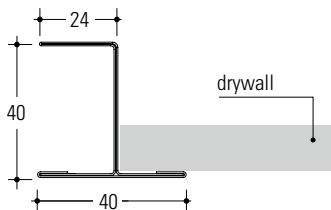
## PR.PPH



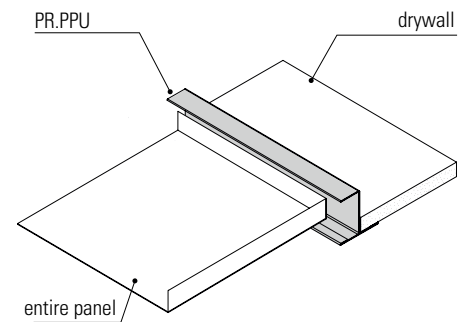
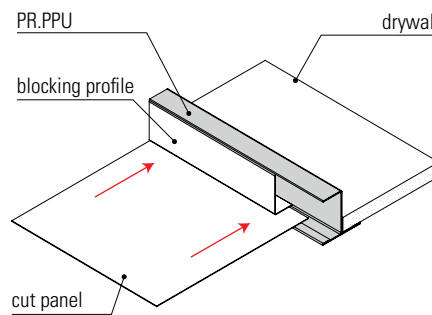
PR.PPH" connection profile for vertical and false ceiling, suitable for installation with Vert Visio system. The profile permits a perfect integration with cut or entire panel. The adjacent illustration shows the application of the "PR.PPH" profile on a plasterboard panel (13mm thick) and the Vert Visio panel laying on it. In the case of cut panel, a "C" blocking profile is added to ensure coplanarity



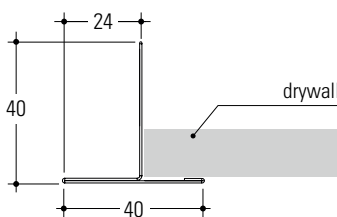
## PR.PPU



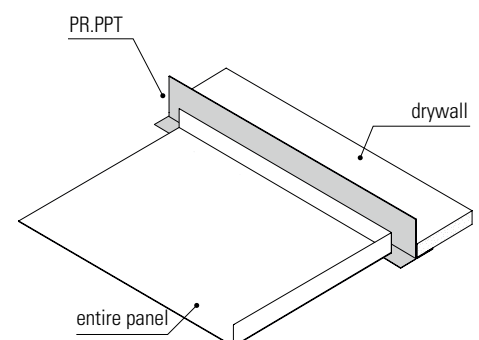
PR.PPU" connection profile for horizontal compensation and false ceiling, suitable for installation with Vert Visio type system. The profile allows perfect integration with cut or full panel. The adjacent illustration shows the application of the "PR.PPU" profile and the Vert Visio panel in support. In the case of cut panel, a "C" blocking profile is added to ensure coplanarity blocking profile to ensure coplanarity.



## PR.PPT



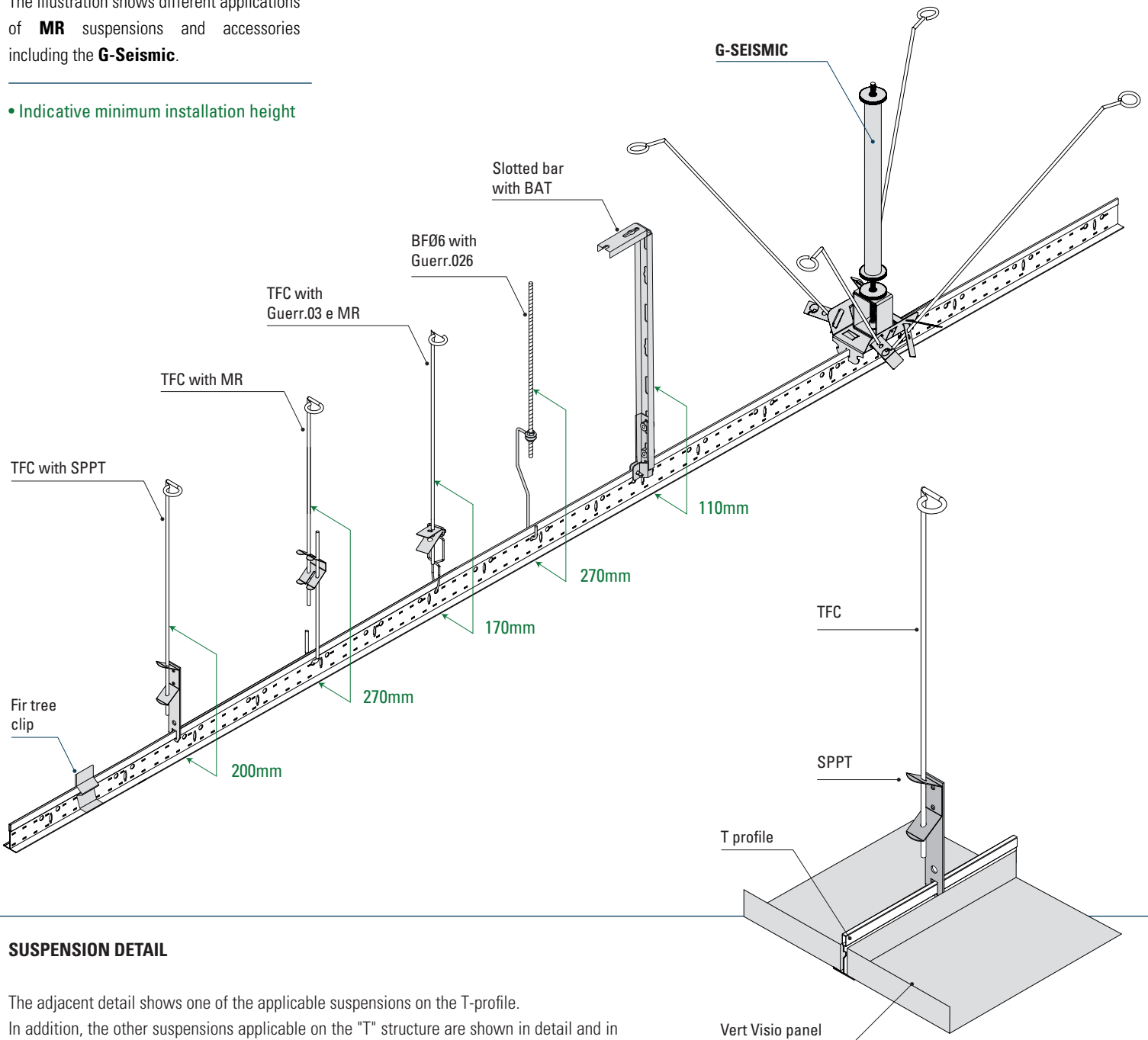
PR.PPT" connecting profile for horizontal compensation and false ceiling, suitable for installation with Vert Visio system. The adjacent representation shows the application of the "PR.PPT" profile and the Vert Visio panel in support



# APPLICATION OF ACCESSORIES AND SUSPENSIONS

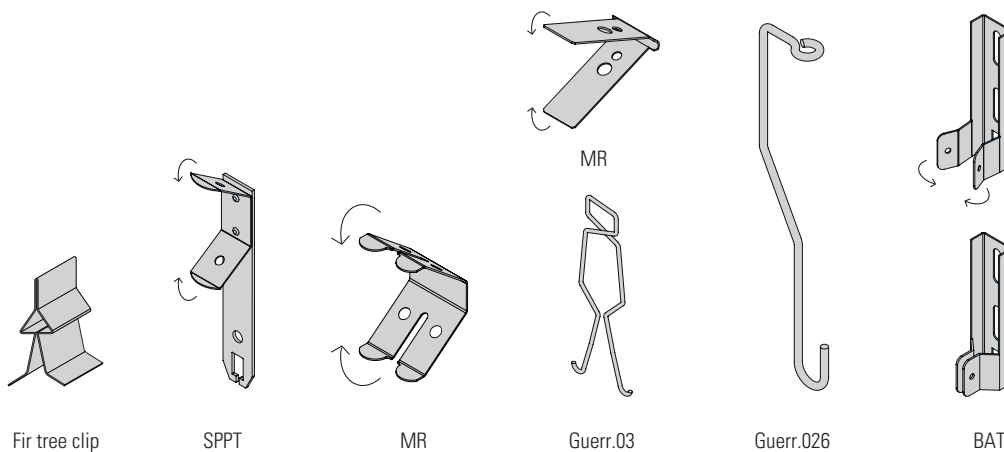
The illustration shows different applications of **MR** suspensions and accessories including the **G-Seismic**.

- Indicative minimum installation height



## SUSPENSION DETAIL

The adjacent detail shows one of the applicable suspensions on the T-profile. In addition, the other suspensions applicable on the "T" structure are shown in detail and in their constructional functions in the depictions below



## DESCRIPTION OF SUSPENSIONS

The "T" structure has the possibility of having several types of suspension, each of which has its own characteristics that make it suitable, effective and safe to suspend the structure with each type of ceiling. The assembly of the suspensions is simple and intuitive and guarantees practicality when setting up the structure.



## NORMATIVE REFERENCES

---

- Construction product according to Regulation (EU) 305/2011
- CE marking in accordance with EN 13964
- Sheet metal quality and cladding grade in accordance with EN 10143 and EN 10346

## CE MARKING

---

The product indicated in this data sheet is intended for use inside buildings. It is provided with a Declaration of Performance (DoP). Reaction to fire: class A1/Durability: class B (Building components exposed to variable relative humidity up to 90% and temperatures up to 30°C but without corrosive agents, except class C5-M products).

## LEED PROTOCOL

---

This certification is establishing itself as the new world standard for environmentally friendly construction and promotes a sustainability-oriented approach. Evaluation on integrated process, optimisation of energy performance, construction and demolition waste management planning, interior lighting and acoustic performance.

## PRODUCT STORAGE

---

Store parcels in covered places with a relatively dry atmosphere and at a temperature as constant as possible to avoid condensation phenomena that can reduce the passivation state protecting the galvanised surface. In the event of external storage (not recommended), use a cover that ensures perfectly protect the material against the weather (rain, fog, snow), taking care to place the packages slightly inclined. This cover must in any case be such as to allow adequate ventilation (not putting the two surfaces in direct contact), so that moisture does not accumulate and create condensation.

## PACKAGING MATERIAL

---

The packaging is made of cardboard with plastic bags inside containing the panels, all sealed with tape on the outside. The pallet is made of plastic strapping and a wooden wall. The packaging is suitably sized to facilitate handling in warehouses and on construction sites.

## WARNINGS

---

### Important warnings

- Please read the following warnings carefully as they are important instructions for safe installation, use and maintenance.
- After removing the product from its packaging, make sure that it is intact, otherwise contact the seller.
- Packaging elements (plastic bags etc.) must not be left within reach of children as they are potential sources of danger.
- Failure to comply with the above may compromise the safety of the product.
- The manufacturer cannot be held liable for any damage resulting from improper, incorrect and unreasonable use.
- ed irragionevoli.

### Avvertenze importanti

- The product must not be subject to modification; any modification voids the warranty and may render the product dangerous.
- Antonio Guerrasio s.r.l. shall not be held liable for any damage caused by its products not being assembled in accordance with the instructions.
- The products must be installed in a workmanlike manner.
- The product is also intended to be installed on normally flammable surfaces.



### Recycling

the crossed-out bin serves as a reminder to collect the product separately from other waste at the end of its life or to return it to the retailer when purchasing a new appliance of an equivalent type. This helps to preserve the environment from contamination and promotes the recycling of product components. Unauthorised disposal is subject to sanctions in accordance with the law.

### Warning

-All representations in this data sheet are indicative and fixing should be checked when choosing the system to be used.

Features subject to change and improvement without notice