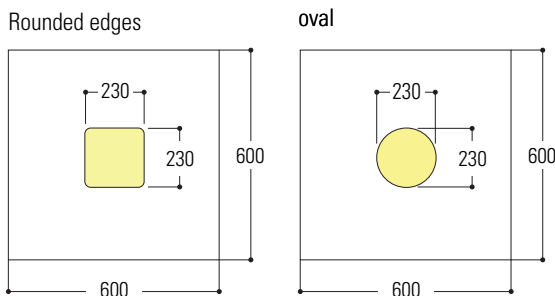
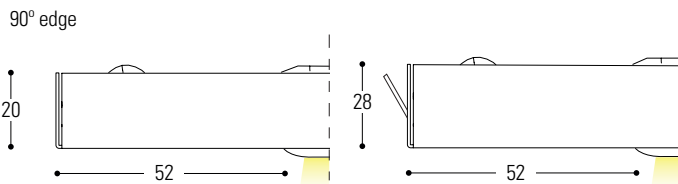


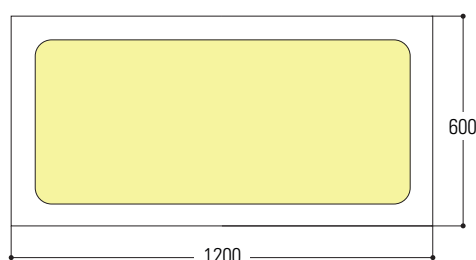
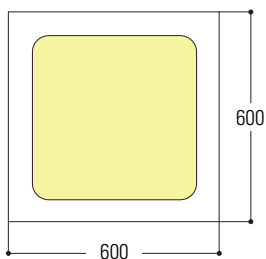


VERT LIGHTPANEL

for Vert Visio | T15 - T24 system



T15 - T24



DESCRIPTION

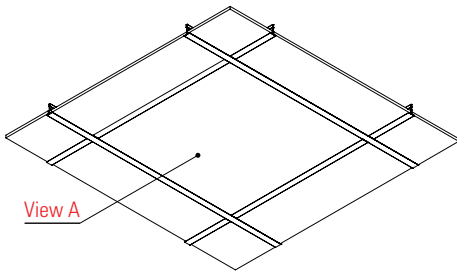
Recessed luminaire for lighting with high light output LED technology. An elegant and modern style guaranteed by integration inside the Vert Visio type ceiling; unique in its kind, it allows installation in ceilings where there is little soffit space. The luminaire consists of an aluminium structure and a cladding panel with the same finish (aluminium or steel) and the same material (pre-painted and post-painted) as the false ceiling and replaces all applications where fluorescent and halogen tubes were previously used.

TECHNICAL CHARACTERISTICS

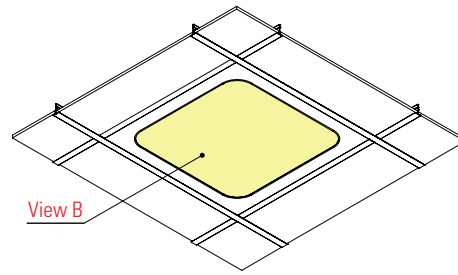
Panel material:	Aluminium (Alloy 3000H46) Galvanised steel (DX51DZ) Steel inox
Ceiling light material:	Aluminium (Alloy 3000H46)
Colour:	Prepainted DONN-WHITE Silver Post-painted RAL-NCS-Sublimed
Panel thickness:	0,4 - 0,5 - 0,6 mm
Body thickness:	0,8 mm
Internal driver:	Yes
Features:	DALI module / emergency module
Standard modules:	600x600 (with double geometry 230x230) 600x600 with 90° edge 600x1200 with 90° edge
Service life:	50.000 hours
LED warranty:	3 years
Product weight:	from 2 to 4 kg

ADVANTAGES AND APPLICATIONS

Vert Visio System

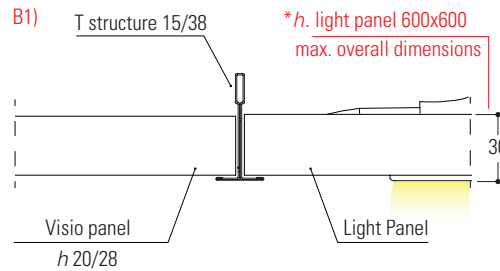
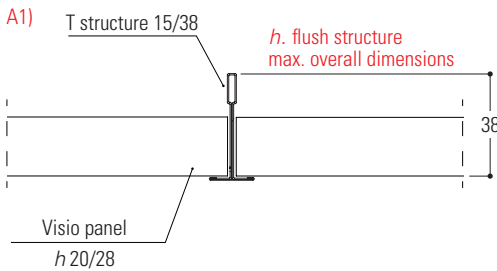
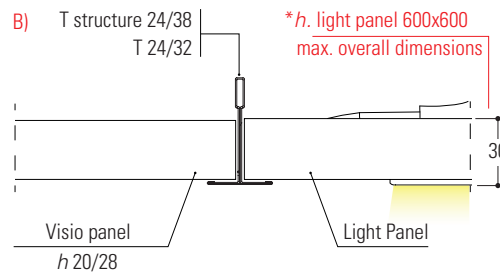
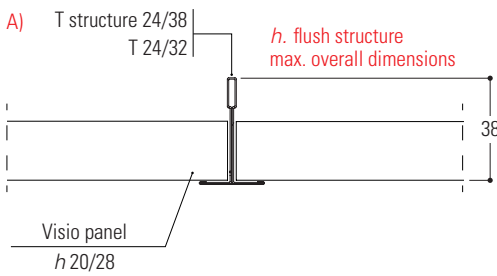


Vert Visio system with light panel



DESCRIPTION

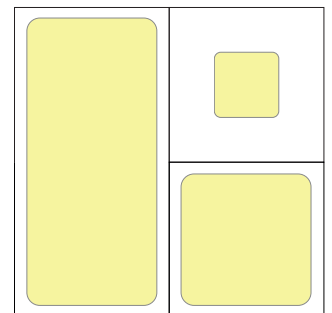
Thanks to its modern design, this Light Panel allows perfect integration in the Vert Visio system, consisting of a T-shaped structure and a panelling that follows the lines and design of the luminaire, further enhancing the entire assembled system. The entire system is in visible frame and together with the ceiling light is accessible at any point.



PERFORMANCE, CONSUMPTION AND MODULE

The **Light Panel** is designed to offer homogeneous, flicker-free illumination suitable for installation in any location where optimum visual performance is required. This LED panel offers excellent lighting performance for up to approximately 50,000 hours, with an estimated daily usage of 8 hours. Thanks to the integrated LED technology, this panel replaces older installations with halogen tubes with significantly lower consumption. The LED system therefore drastically lowers consumption while maintaining the same light intensity.

Type	Dimensions	Power (W)	Luminous flux Lamp** (IM)	
			OPAL	UGR
VLP 5353/4	600x600 (230x230)	24	-	1633
VLP 5353/4	600x600	32	-	3807
VLP 5353/4	600x1200	74	-	7888



600x600 (230x230)
600x600 / 600x1200 mm

OPTICAL GROUP AND PHOTOMETRIC CURVE

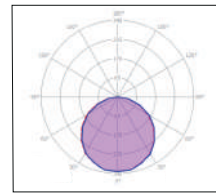
- Colour rendering Ra>90
- Photobiological risk 0 (exempt) UV-protected EN 62471

Available optics:

UGR<19 (UGR) version

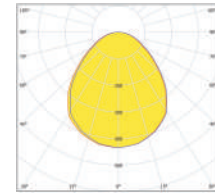
Microprismatic polycarbonate optics for environments with video terminals

600x600 (230x230)



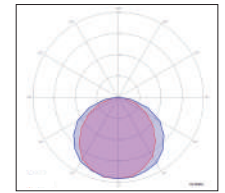
cd/klm — C0 - 180 — C90 - C270 $\eta = 100\%$

600x600



cd/klm — C0 - 180 — C90 - C270 $\eta = 100\%$

600x1200



cd/klm — C0 - 180 — C90 - C270 $\eta = 100\%$

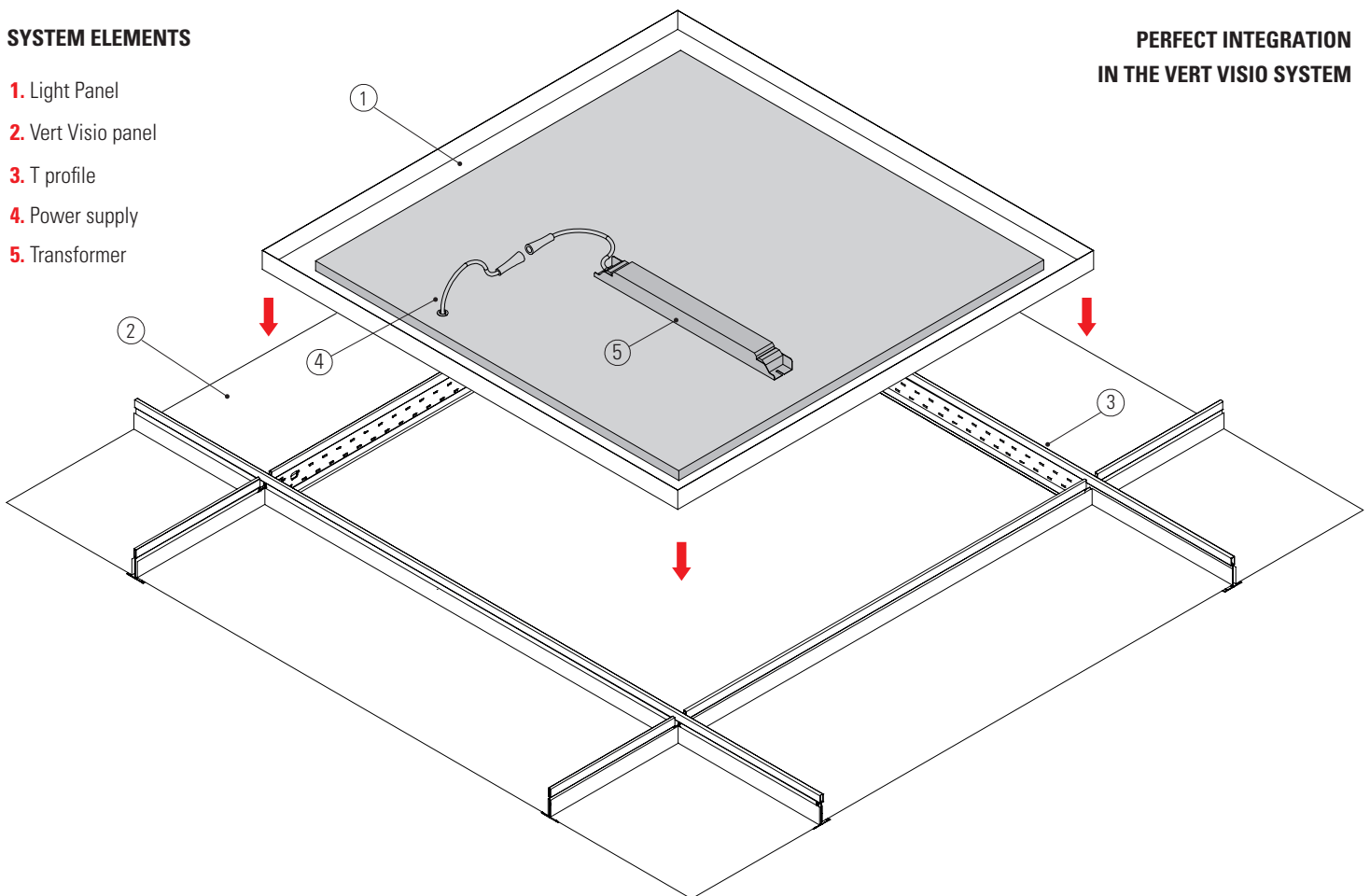
Standard available colour temperature



MOUNTING

SYSTEM ELEMENTS

1. Light Panel
2. Vert Visio panel
3. T profile
4. Power supply
5. Transformer

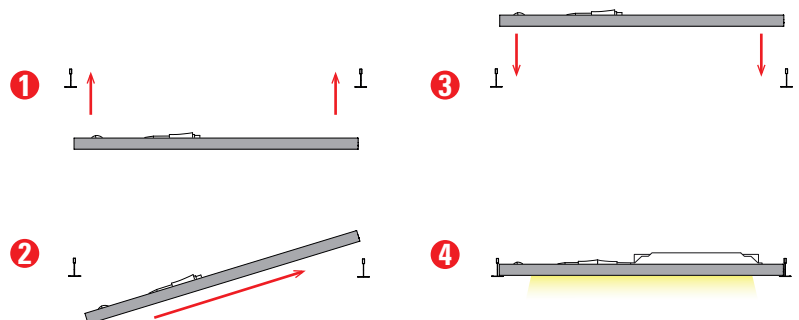


**PERFECT INTEGRATION
IN THE VERT VISIO SYSTEM**

ASSEMBLY DESCRIPTION

The Light Panel is assembled in the same way as a Vert Visio panel, the steps are few and intuitive:

1. Position and centre the Light Panel(1) between the T-profiles
2. Insert the light panel(1) transversally, positioning it above the metal structure.
- 3./4. Place the light panel(1) on the T-profiles and connect it to the mains power supply.

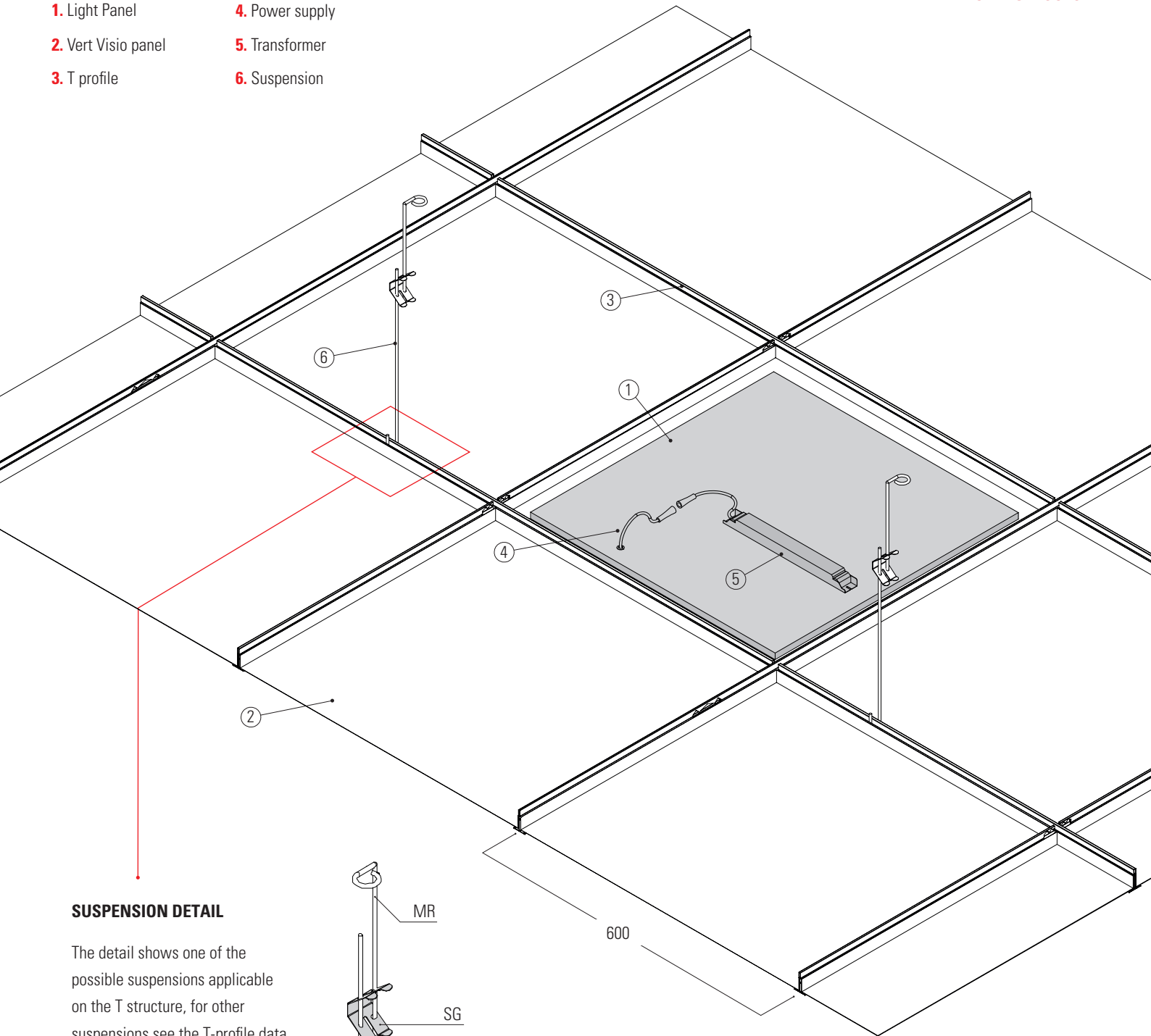


VIEW OF POSITIONING FROM ABOVE

MOUNTING EXAMPLE ON T-STRUCTURE

SYSTEM ELEMENTS

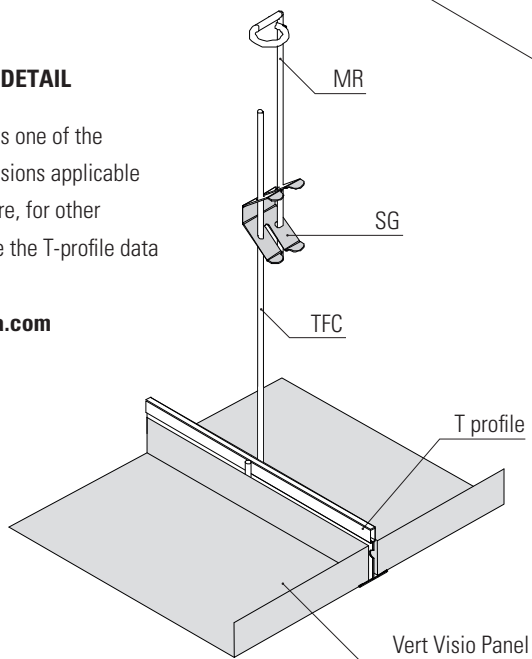
- 1. Light Panel
- 2. Vert Visio panel
- 3. T profile
- 4. Power supply
- 5. Transformer
- 6. Suspension



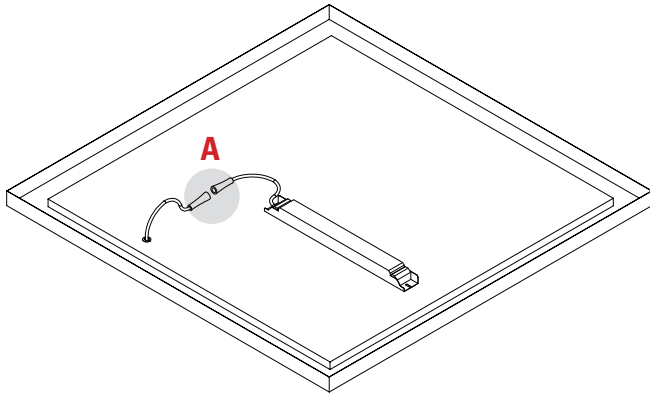
SUSPENSION DETAIL

The detail shows one of the possible suspensions applicable on the T structure, for other suspensions see the T-profile data sheet at

www.vertebra.com



SUPPLY SOCKET AND SEAL



A: Power supply

- 230/240 - 50/60 Hz power supply with 0.75 mm² cross-section cable and PVC-HT sheathing, flame retardant in accordance with CEI 20-35 standards and complying with CEI 20.20 and CEI CENELEC HD 21 standards. IP66 2P+E or 4P+E watertight connector, maximum allowed cable cross-section 2.5 mm².

Insulation class I. Suitable for installation on normally flammable surfaces.

- Power supply EEI=A2 230-240, 50 - 60Hz. power factor > 0.95.



OTHER EQUIPMENT

Possible equipment of the Microprocessor Self-Test Module equipped with:

- Autonomy test
- Functionality test
- Routine tests

**Luminous flux tolerance $\pm 10\%$.

*Dual Power possibility

*/** see table page 2

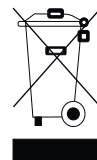
WARNINGS

General Warnings

- The luminaire is constructed in a workmanlike manner, and its electrical life will be more than sufficient if used correctly.
- Please read the following warnings carefully as they are important information for safe installation, use and maintenance.
- After removing the appliance from its packaging, ensure that it is undamaged, otherwise contact the seller.
- Packaging elements (plastic bags etc.) must not be left within reach of children as they are potential sources of danger.
- Before connecting the appliance, make sure that the rating plate data correspond to those of the electrical distribution network to which the appliance will be connected (the label with the rating plate data is located on the outside of the appliance).
- Before carrying out any cleaning or maintenance operations, disconnect the appliance from the mains power supply by switching off the circuit breaker; in the event of a fault, contact only professionally qualified personnel.
- Failure to do so may compromise the safety of the appliance.
- The manufacturer cannot be held liable for any damage resulting from improper, incorrect and unreasonable use.

Important warnings

- The product must not be subject to modification, any modification voids the warranty and may render the product dangerous. Antonio Guerrasio s.r.l. shall not be held liable for any damage caused by its products not being assembled in accordance with the instructions.
- Any damaged components must be replaced with similar ones.
- The products must be installed in a workmanlike manner.
- In order to avoid dangerous overheating, it is recommended not to install the appliance in cramped spaces without air exchange.
- The appliance is also intended for installation on normally flammable surfaces.



Recycling

In implementation of Directives 2002/95/EC, 2002/96/EC and 2003/108/EC ("on the reduction of the use of hazardous substances in electrical and electronic equipment and the disposal of waste") the crossed-out wheeled bin serves as a reminder to collect the product separately from other waste at the end of its life or to return it to the retailer when purchasing a new appliance of an equivalent type. This helps to preserve the environment from contamination and promotes the recycling of equipment components. Unauthorised disposal is subject to sanctions in accordance with the law.



IP65
lato inf.

IP20
lato sup.



UGR<19



Features subject to change and improvement without notice